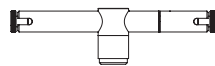
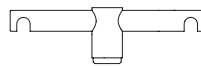


Gallery 111 Enclosed Backshield

System Options



Cable



Twin Rail



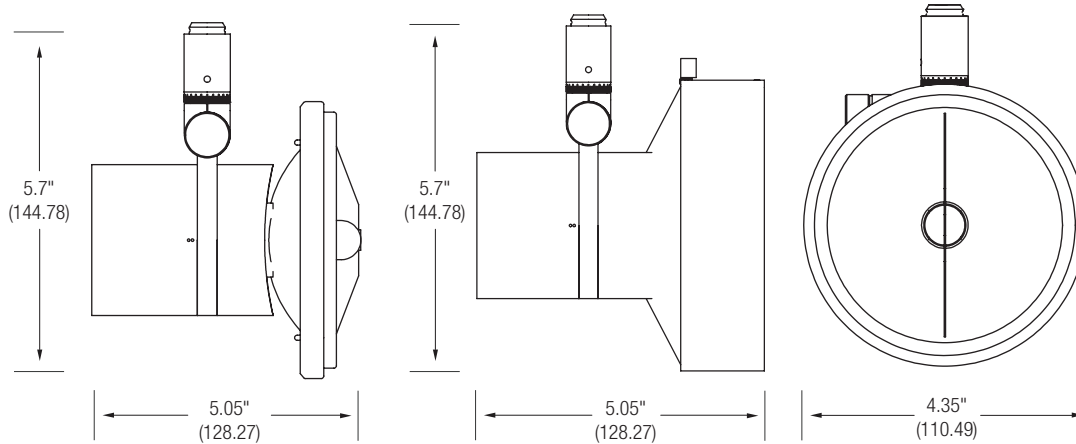
Basis Ceiling



Basis Wall



Liana



* Basis Track Wall not available in Rubbed Bronze.

† Fixture terminates to track system or monopoint with Transjack connector. Fixtures ordered with system code include Transjack connector for that system. Order fixture with "NS" code when using a monopoint.

†† Requires a minimum over all length of 10" with monopoint canopies.

() Denotes dimensions in millimeters

Ordering Information

GLE - 111

Fixture	Size	System	Overall Length ^{††}	Metal Finish	Accessory holder
GLE – Gallery Enclosed Backshield	111 – AR 111 lamp	CA4 – Cable 4" CA6 – Cable 6" TR4 – Twin Rail 4" TR6 – Twin Rail 6" BTC – Basis Ceiling BTW – Basis Wall* (Max 16") LT – Liana NS – No System Connector†	Stem: ST – Standard 6" 7" – 72" Specify Length (When ordering a non-standard overall length, use whole numbers only—no fractional inches.)	AL – Satin Aluminum RB – Rubbed Bronze (Rubbed Bronze is not available for TR4 and TR6)	0 – No Accessory Holder 3 – Triple Holder

Features

- Description:** Adjustable fixture. Precision machined, adjustable luminaire. Single knob vertical and horizontal locking capabilities. Optional triple accessory holder with standard lock mechanism allows for accessory aiming consistency.
- System Options:** Gallery 16 Open Backshield is available for Cable 4" & 6", Twin Rail 4" and 6", Basis Ceiling Mount, Basis Wall Mount, Liana and low voltage monopoints.
- Lamping:** AR111 75w max.
- Electrical:** Transjack connector contacts utilize 24kt gold plated brass pin and sleeve connectors housed in aluminum. Field replaceable lamp socket standard.
- Function:** 150 degree vertical pivot and 360 degree horizontal rotation. Toolless relamping without disrupting aiming. Overall stem length not field cuttable. Net weight: 1.5 lbs.

Finishes

- Satin Aluminum
- Rubbed Bronze – finish is crafted with a solid brass substrate and buffed by hand to create an authentic rubbed bronze finish. Due to this hand-applied process, finish may vary

Labels

UL and CUL Listed for Dry Locations Only

Job Name:	Type:
Cat. No.:	
Lamp(s):	
Notes:	

Accessories

Glass, Spread and Color Lenses, UV and Mixing Filters, Reduction Screens, Hex Louver, Snoot, Wall Wash Snoot, Cross Blade Snoot.

Translite Sonoma www.translitesonoma.com

22678 Broadway Suite One : Sonoma, CA 95476

Toll free 888 999 4540 : Fax 707 996 6926

We reserve the right to change details of design, materials and finish.

© 2005 Genlyte Group LLC

Measuring Overall Length

Track System Fixtures

Overall length for a track system fixture is measured from the bottom of the track to the bottom of the fixture.

To calculate overall length, take the distance from the bottom of the fixture to the top of the Transjack connector* and add the system connector measurement for the selected system. Overall length differs according to the system connector selected.

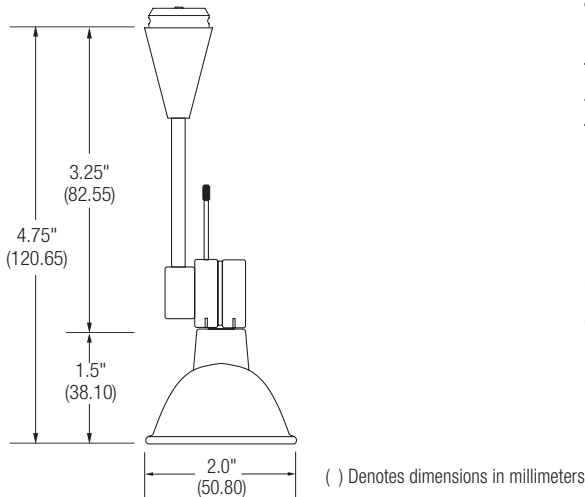
System Connector Measurement	Cable			
	Basis	Twin Rail	Liana	NS
	.38"	.63"	.94"	0"

Monopoints

Overall length for a monopoint fixture is measured from bottom of the monopoint to the bottom of the fixture. (The monopoint canopy is measured separately.)

This measurement is equivalent to the distance from the bottom of the fixture to the top of the Transjack connector.*

Rotor



Track System Fixture Example

To calculate the overall length for the Rotor fixture on a Liana track system, add 4.75 to 0.94. Overall length for a standard Rotor on the Liana Track is 5.69". A Rotor specified at 10" would have an overall length of 10.94" on Liana.

Monopoint Fixture Example

Overall length for a standard Rotor on a monopoint is 4.75". A Rotor specified at 10" would have an overall length of 10" on a monopoint.

* In the drawing above, the distance from the bottom of the fixture to the top of the Transjack connector equals 4.75". This represents the standard (ST) length for this fixture. ST measurements in the product ordering tables are approximate for stem suspended fixtures and do not represent exact overall length. For exact ST measurements for stem suspended fixtures, reference the specification drawings.

TRANSLITE SONOMA

Translite Sonoma www.translitesonoma.com
 22678 Broadway Suite One : Sonoma, CA 95476
 Toll free 888 999 4540 : Fax 707 996 6926
 We reserve the right to change details of design, materials and finish