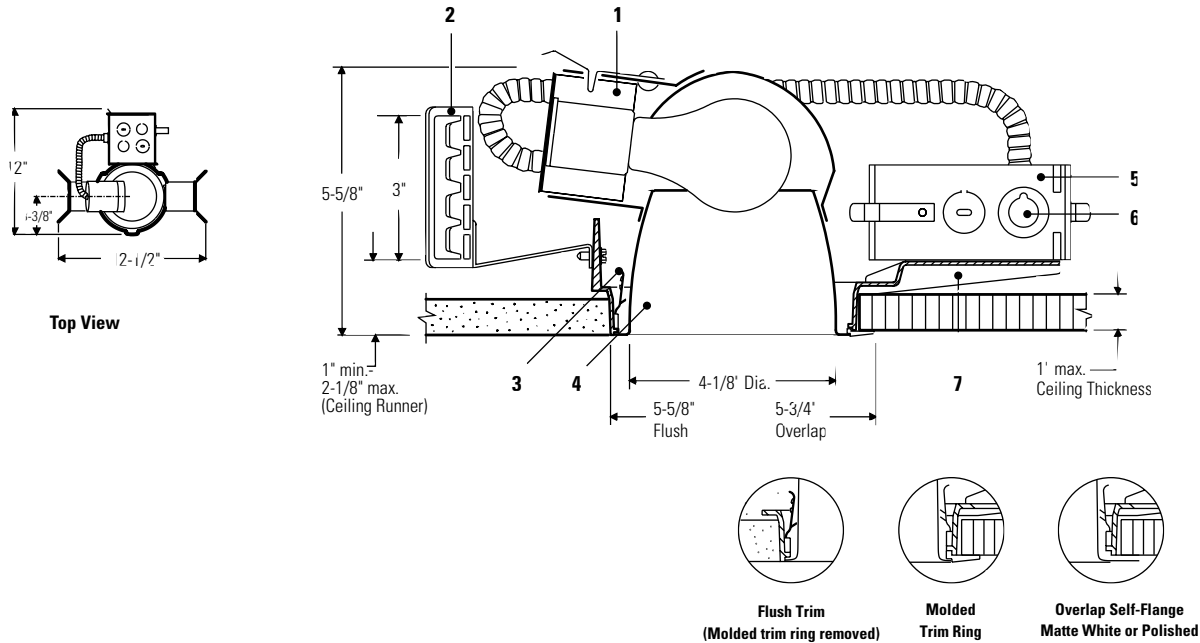




Calculite® Incandescent Open Downlight **G7057**



Ceiling Cutout: 5 1/16" Dia.

Reflector Trims	Frame-In Kit	Lamp
G7057CLW Specular Clear finish with white flange	G410	A19, 100W max.
G7057CLP Specular Clear finish with polished flange		
G7057CL Specular Clear finish with molded trim ring (flangeless)		
G7057 <input type="checkbox"/> Add suffix for other finishes (see options)	Remodeler	Lamp
	G410RM	Same as G410

Features

- Socket Cup:** Heat-dissipating die-formed aluminum contains medium base porcelain socket with nickel plated screw shell wired with No. 18 SF1 leads to J-Box. Installs on reflector with positive position locking springs to assure proper optical alignment of lamp to reflector—attached without tools.
- Mounting Brackets:** Adjust vertically from inside of fixture. Durable 16 ga. steel construction. Use with standard 3/4" or 1 1/2" lathing channels (by others), or Lightolier accessory mounting bars.
- Retaining Springs:** Precision-tooled springs secure reflector to mounting frame for quick tool-less installation.
- Reflector:** 16 ga. Specular Alzak® aluminum, 50° visual cut-off to lamp and lamp image. Available with white or polished flange, or with removable white molded trim ring (field paintable).
- Junction Box:** 14 ga. steel, 4" x 4" x 2" box allows inspection from below.
- Thermal Protector:** Meets NEC and UL requirements. Insulation must be kept 3" away from fixture sides and wiring compartments and must not be placed above fixture in a manner which will entrap heat.
- Mounting Frame:** Die-cast aluminum suitable for dry or plaster ceilings. Provides flangeless trim in plaster ceiling.

Other Reflector Finish Options

Comfort Clear Diffuse **CCD**
 Specular Gold **GD**
 White **WH**

Flange Options

White **W**
 Polished Flange **P**
 Flangeless Leave Blank (molded trim ring)

Options & Accessories

18" Mounting Bars 1950 (set of 2)
27" Mounting Bars 1951 (set of 2)
T-Bar Anchor Clips 1956 (set of 4, for 1950 & 1951 bars)
Existing Ceiling Clips 7998 (set of 2)
Sloped Ceiling Adapters See SCA specification sheet
Step Down Transformer 7997 (see separate specification sheet)
Chicago Air Plenum LC (add suffix to Frame-in Kit, requires access from above ceiling)

Electrical

UL Listed for maximum of 8 No. 12, 75°C through branch circuit supply conductors, or 60°C conductors for end of run.

Labels

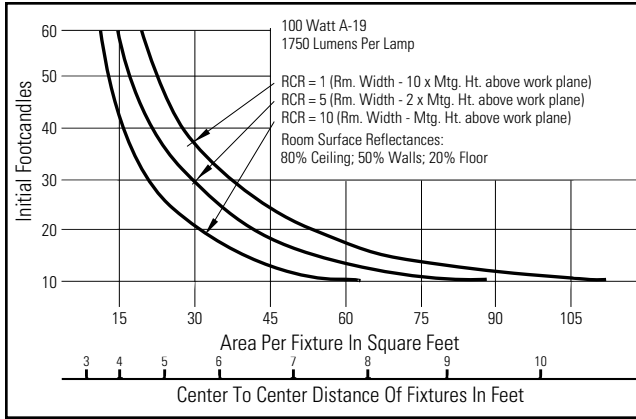
UL Listed for damp locations, I.B.E.W.

Alzak® is a registered trademark of ALCOA.

Job Information	Type:
Job Name:	
Cat. No.:	
Lamp(s):	
Notes:	

Lightolier a Genlyte Thomas Company www.lightolier.com
 631 Airport Road, Fall River, MA 02720 • (508) 679-8131 • Fax (508) 674-4710
 We reserve the right to change details of design, materials and finish.
 © 2002 Genlyte Thomas Group LLC (Lightolier Division) • A0902

LIGHTOLIER®



Use quick calculator chart to determine spacing of luminaires for desired level of illumination.
 Conversion Factor: 100W A19 (gold): F.C. x 0.90

Spacing Ratio= 1.1

ITL REPORT NO. 31338
DATE 9-27-85

Lamp: 100 Watt A19
Efficiency: 58.5%

Candlepower Summary		
DEG	CP	ZONAL FLUX
0	559	13
5	575	43
10	641	83
15	769	135
20	852	177
25	775	165
30	507	114
35	307	89
40	245	91
45	259	95
50	120	9
55	6	1
60	2	0
65	2	1
70	0	0
75	2	1
80	1	1
85	0	1

ZONAL SUMMARY			
ZONE	LUMENS	LAMP	FIXT
0-30	617	35.4	60.6
0-40	819	47.1	80.5
0-60	1014	58.3	99.6
0-90	1018	58.5	100.0
90-180	0	0.0	0.0
0-180	1018	58.5	100.0

Total Luminaire Efficiency = 58.5 %
CIE Type - Direct
Luminous Diameter: 4.500

Coefficients of Utilization
 % Effective Ceiling Cavity Reflectance

Room Cavity Ratio	% Effective Ceiling Cavity Reflectance															
	80			70			50			30			10			0
	50	30	10	50	30	10	50	30	10	50	30	10	50	30	10	0
1	.65	.63	.62	.64	.62	.61	.61	.60	.59	.59	.58	.58	.57	.56	.56	.55
2	.61	.59	.57	.60	.58	.56	.58	.56	.55	.56	.55	.54	.55	.54	.53	.52
3	.57	.54	.52	.56	.54	.52	.55	.53	.51	.53	.52	.50	.52	.51	.49	.48
4	.53	.50	.48	.53	.50	.48	.52	.49	.47	.50	.48	.47	.49	.48	.46	.45
5	.50	.47	.44	.50	.47	.44	.49	.46	.44	.48	.45	.43	.47	.45	.43	.42
6	.47	.44	.41	.47	.43	.41	.46	.43	.41	.45	.42	.41	.44	.42	.40	.39
7	.44	.40	.38	.43	.40	.38	.43	.40	.38	.42	.39	.38	.41	.39	.37	.36
8	.41	.37	.35	.41	.37	.35	.40	.37	.35	.39	.37	.35	.39	.36	.35	.34
9	.38	.35	.32	.38	.34	.32	.37	.34	.32	.37	.34	.32	.36	.34	.32	.31
10	.36	.32	.30	.35	.32	.30	.35	.32	.30	.34	.31	.30	.34	.31	.29	.29

20% Floor Cavity Reflectance
 Conversion Factor: For 100W A19 units with gold reflector, multiply C.U.'s by 0.9.

Job Information **Type:**

Lightolier a Genlyte Thomas Company www.lightolier.com
 631 Airport Road, Fall River, MA 02720 • (508) 679-8131 • Fax (508) 674-4710
 We reserve the right to change details of design, materials and finish.
 © 2002 Genlyte Thomas Group LLC (Lightolier Division) • A0902

LIGHTOLIER®