

**Ordering Information:**

Spec ID	Powerhead	Inner Glass	Outer Glass	Lamp	Volts
FW02	<b>PW13SA</b>	<b>SG01 or SA01</b>	NA	4-pin Elect. Twin Tube 13W	120V
FW202	<b>PW132SA</b>			4-pin Elect. Twin Tube 13W	277V
FW02Q	<b>PW130SA</b>			4-pin Quad Tube 13W	120V
FW201Q	<b>PW132QSA</b>			4-pin Quad Tube 13W	277V
IW02	<b>PW50SA</b>			T-4 Mini-Can 50W	120V

Must order wall chassis and glass separately. Spec ID is for reference only.

**Features**

- Power Compartment:** Die Cast and Machined Aluminum Components. Brushed and Clear Lacquer Finish.
- Primary Diffuser:** (SG01) Triplex hand blown glass or (SA01) opal acrylic.
- Backplate:** Die Cast Aluminum, Brushed and Clear Lacquer Finish.

**Lamping (by others)**

**Incandescent: 50W Max. T-4 Mini Candelabra**

**Compact Fluorescent:**

General Electric	Osram/Sylvania	Philips
(1) 13W Twin Tube 4-Pin Compact Fluorescent Lamp		
N/A	CF13DS/E/*	N/A
(1) 13W Quad Tube 4-Pin Compact Fluorescent Lamp		
F13DBX/SPX*/4P	CF13DD/E/*	PL-CL3W/*/4P/ALTO

\*Manufacturers Color Temperature Designation

**Electrical - Lampholders**

**Incandescent:** E11 Base, Porcelain, Plated Copper Alloy Screw Shell  
**Compact Fluorescent:** 13W Twin: 2GX7 Base, High Impact Thermoset Polymer with Brass Contacts.  
**13W Quad:** G24Q-1 Base, High Impact Thermoset Polymer with Brass Contacts.

**Electrical - Lampholders (continued)**

Ballasts: Fluorescent: Electronic	13 Watts TT		13 Watts QT	
	120	277	120	277
Voltage	120	277	120	277
Max. Watts	16	11	20	14
Max. Line Current (Amps)	0.136	0.08	0.174	0.114

**Labels**

cULus Listed. Suitable for Damp Locations.

**Job Information**

**Type:**

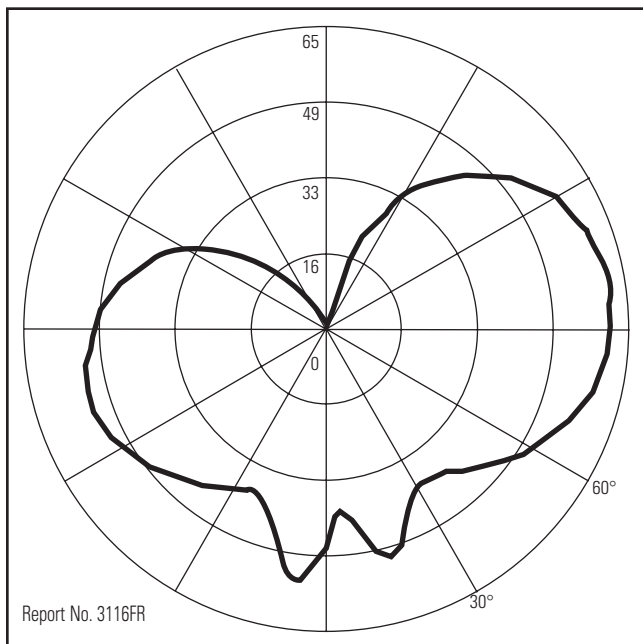
**Job Name:**

**Cat. No.:**

**Lamp(s):**

**Notes:**

Catalog No. FW02, 13W 4 Pin Twin Tube, 800 Lumens.



### CANDLEPOWER SUMMARY

Angle	0°	45°	90°
0	45	45	45
5	40	42	51
10	47	50	56
15	51	55	53
20	47	50	47
25	42	45	43
30	39	42	41
39	39	41	42
40	40	43	44
45	43	46	47
50	46	48	49
55	48	51	52
60	51	54	54
65	54	57	56
70	56	59	58
75	58	61	60
80	60	63	61
85	61	64	61
90	61	64	61
95	61	65	61
100	62	65	61
105	61	65	60
110	60	64	58
115	59	62	56
120	57	60	53
125	54	57	50
130	51	53	46
135	47	50	42
140	43	46	37
145	39	41	31
150	33	35	24
155	27	28	16
160	19	19	9
165	11	10	4
170	4	4	2
175	2	2	1
180	1	1	1

### ZONAL LUMENS AND PERCENTAGES

Zone	Lumens	%Lamp	%Fixt
0-30	38.44	4.8	6.5
0-40	64.77	8.1	10.9
0-60	146.09	18.3	24.6
0-90	325.97	40.7	55
90-120	173.56	21.7	29.3
90-130	213.56	26.7	36
90-150	258.21	32.3	36
90-180	267.22	33.4	45
0-180	593.19	74.1	100

\*\* Efficiency = 74.1% \*\*

### COEFFICIENTS OF UTILIZATION

Ceiling	80%				70%		50%		30%		0	
	70	50	30	10	50	10	50	10	50	10		
Wall	70	50	30	10	50	10	50	10	50	10	0	
RCR	Zonal Cavity Method - Effective Floor Reflectance = 20%											
Room Cavity Ratio	0	80	80	80	80	75	75	64	64	45	45	41
	1	69	64	60	56	59	52	50	44	34	30	26
	2	62	54	48	43	50	40	42	34	27	23	19
	3	55	46	40	34	43	32	36	27	23	18	15
	4	50	40	33	28	37	26	31	22	20	14	12
	5	46	36	29	23	33	22	27	18	18	12	9
	6	42	32	25	20	29	18	24	16	16	10	8
	7	39	28	22	17	26	16	22	13	14	9	7
	8	36	26	19	15	24	14	20	12	13	8	6
	9	33	23	17	13	22	12	18	10	12	7	5
10	31	21	16	12	20	11	17	9	11	6	5	

Determined In Accordance With Current IES Published Procedures  
Luminaire Input Watts =

**Job Information**

**Type:**