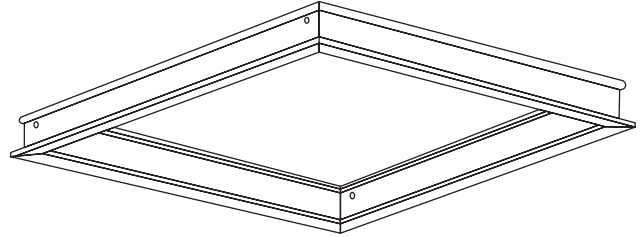


Drywall Kit

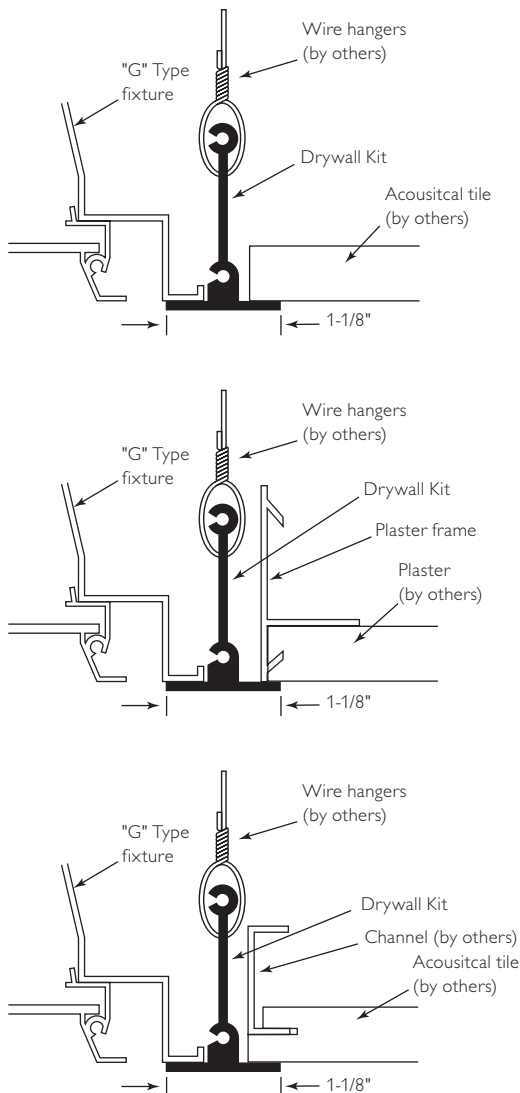
Mounting frame assembly

Features

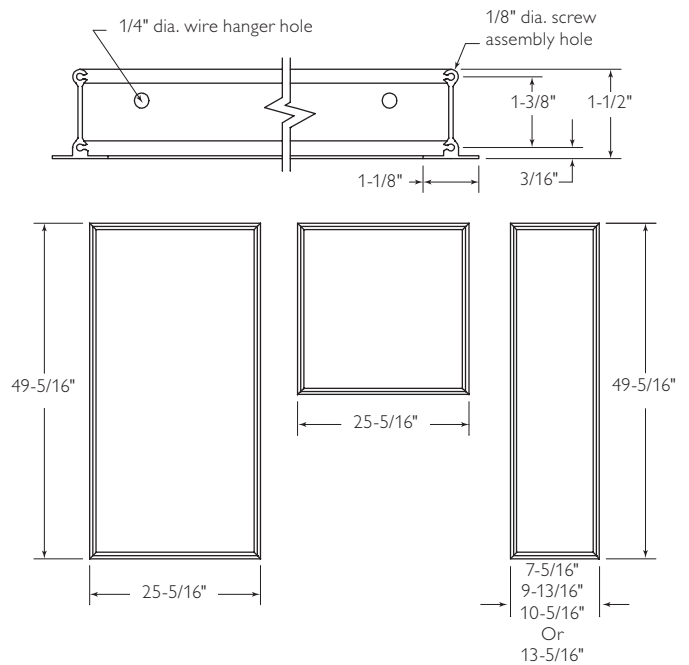
- Designed to permit use of grid (NEMA G) fixtures in ceilings requiring flanges.
- May be used with any G type Lightolier troffer.
- May be used in conjunction with Lightolier plaster frame.
- Extruded aluminum construction with mitered corners.
- Includes screws for complete assembly.
- Flat white finish.
- Not for continuous row mounting.



Mounting Methods



Dimensions



Job Information	Type:
Job Name:	
Cat. No.:	
Notes:	

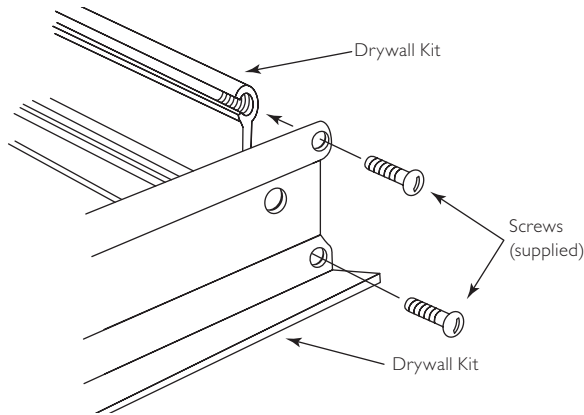
Note: Do not use wire hangers (by others) at end of fixture

PHILIPS
LIGHTOLIER

Drywall Kit

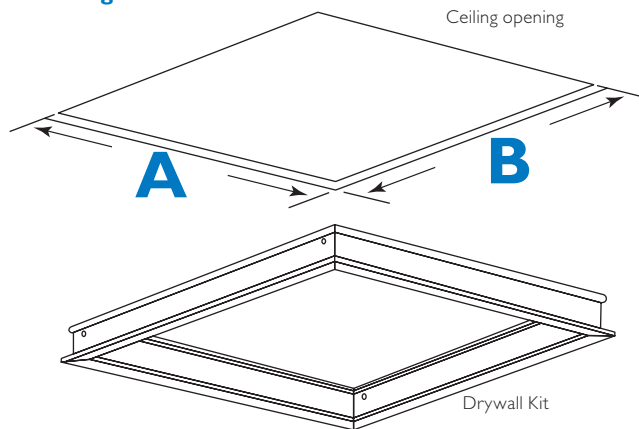
Mounting frame assembly

Assembly / Installation instructions



Assemble Drywall Kit with supplied screws (4 places).

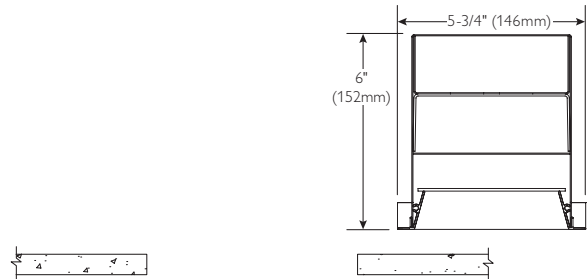
Ordering Information



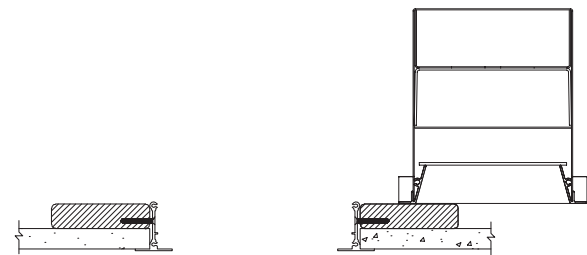
Install Drywall Kit into ceiling opening. May be used with Plaster frame (see reverse side for mounting methods).

Catalog Number	Fixture Size	Ceiling Opening	
		A	B
FK906X4	6" X 48"	6-5/8"	48-5/8"
FK91X4	1' X 4'	12-5/8"	48-5/8"
FK99X4	9" X 48"	9-5/8"	48-5/8"
FK92X2	2' X 2'	24-5/8"	24-5/8"
FK92X4	2' X 4'	24-5/8"	48-5/8"
LIS84DK	8-1/2" X 48"	9-1/8"	48-5/8"

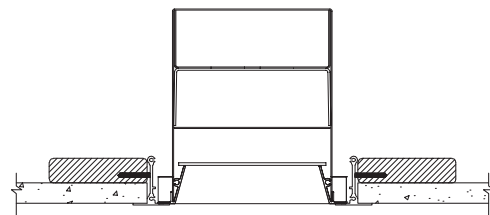
Installation instructions for FK906X4, Lytecel 6



1. Place fixture in ceiling PRIOR to attaching drywall kit. Lytecel 6 fixture WILL NOT fit throughout opening in drywall kit



2. Secure drywall kit to ceiling.



3. Make electrical connections and place fixture into frame.



Philips Lightolier
 e: lol.webmaster@philips.com
 t: (508) 679-8131, Technical info. (978) 657-7600
 w: www.lightolier.com

FL_Drywall_Kit May 15, 2012

Specifications are subject to change without notice.
 © Koninklijke Philips Electronics N.V., 2012. All rights reserved.

Job Information Type: