

EX2 Series

STEEL EDGE-LIT LED EXIT

EX21R6SCMNSD2T



Features

Illumination: Illumination is accomplished with high-output Light Emitting Diodes. Proprietary injection/compression molded acrylic lens provides higher light output and even illumination.

Housing: The EX2 Series is available in both recessed and surface mounted versions. The recessed mounted sign utilizes a 20 gauge galvanized steel backbox and brushed aluminum (standard) faceplate. Faceplates can also be specified in either white or black. The surface mounted version contains the electronics in a low profile brushed aluminum housing. For all surface mounted applications a canopy, which utilizes a quick connect locking system for secure installations, is provided.

Battery: Maintenance free, sealed nickel metal hydride battery with 10 year life. NiMH battery is a non-toxic, environmentally friendly product which is recyclable.

Electronics: 120/277

VAC dual voltage input. Microprocessor controlled charge, transfer, and monitoring system. Charging system is complete with low voltage disconnect, AC lockout, and brownout protection. Self-powered units include an AC indicator/systems status lamp and manual test switch.

Self-Testing Diagnostics

(standard): Standard on self-powered models, self-testing mode automatically runs a one minute test every 30 days and a 30 minute test every 180 days. A one minute or 90 minute test may be initiated via the push to test switch on the unit or by activating the appropriate test command on the SDREMOTE test device accessory.

Electrical Specifications:

AC Only Red:
3.60 W (120 VAC)
3.68 W (277 VAC)
AC Only Green:
3.80 W (120 VAC)
3.90 W (277 VAC)
Emergency Operation Red:
4.80 W (120 VAC)
4.80 W (277 VAC)
Emergency Operation Green:
4.80 W (120 VAC)
4.80 W (277 VAC)

Code Compliance

UL 924 listed. NFPA 101 illumination standards.

Warranty

Three year full electronics warranty. Five year full plus five year prorated battery warranty.

Job Information	Type:
Job Name:	
Cat. No.:	
Notes:	

PHILIPS

LIGHTOLIER

EX2 Series

STEEL EDGE-LIT LED EXIT

Ordering Information

EX2								
Series	# of Faces	Letter Color	Chevron Direction	Mounting	Panel Color	Battery	Standard Option	Factory Installed Options
EX2 = Edge-Lit LED Exit	1 = Single 2 = Double	R = Red G = Green	3 = No Chevron 4 = Right ¹ 5 = Left ¹ 6 = Double 7 = Left & Right ²	RC = Recessed Ceiling SC = Surface Ceiling W = Wall ¹ E = End	C = Clear ¹ W = White M = Mirrored	Blank = AC Only N = NiMH	Blank = AC Only Models SD2T = Self-Diagnostic/ Self-Testing ³	A = Audible Self-Testing Diagnostics ³ BF = Buzzer/Flasher ³ BK = Black Faceplate and/or Housing BZ = Buzzer ³ DC = 12-48 VDC Remote Emergency Input ⁴ EX = Custom Voltage/Frequency (consult factory) FA = Fire Alarm Activated Flasher ³ FL = Emergency Mode Flasher ³ WH = White Faceplate and/or Housing 2CKT1 = 120 VAC Two Circuit 2CKT2 = 277 VAC Two Circuit X = Less Backbox

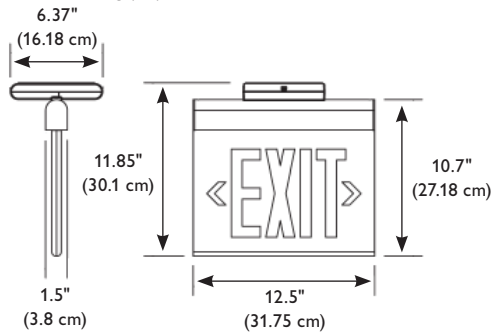
Accessories (order as a separate item)

EX2BBKIT⁵ = Standard Back Box Kit
EX2BBKIT2CKT1⁵ = Back Box Kit For Use With 120 V Two Circuit Units
EX2BBKIT2CKT2⁵ = Back Box Kit For Use With 277 V Two Circuit Units
SDREMOTE = Infrared Remote Test Device
SL2KIT = Bar Hanger Kit

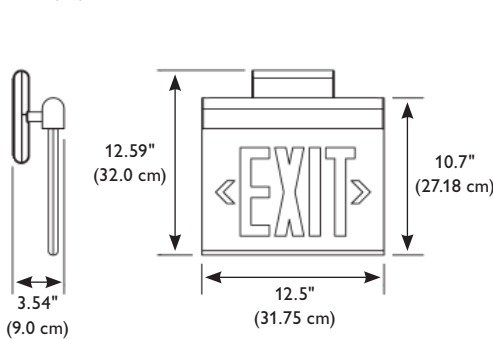
Note

- Single face signs only.
- Double face signs only.
- NiMH units only.
- AC only units.
- Order part #EX2BBKIT for pre-shipment of standard back box. Order #EX2BBKIT2CKT1 back box kit for use with 120 V two circuit option. Order #EX2BBKIT2CKT2 back box kit for use with 277 V two circuit option.

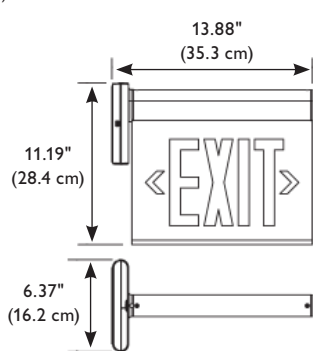
Surface Ceiling (SC) - No Backbox



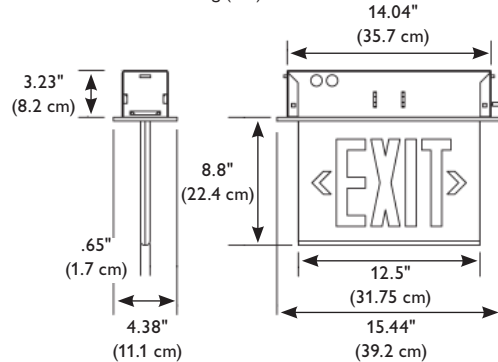
Wall (W) - No Backbox



End (E) - No Backbox



Recessed Ceiling (RC) - No Backbox⁵



Philips Lightolier
 e: lol.webmaster@philips.com
 t: (508) 679-8131
 w: www.lightolier.com

EX2 Series March 29, 2012

Specifications are subject to change without notice.
 © Koninklijke Philips Electronics N.V., 2012. All rights reserved.

Job Information Type: