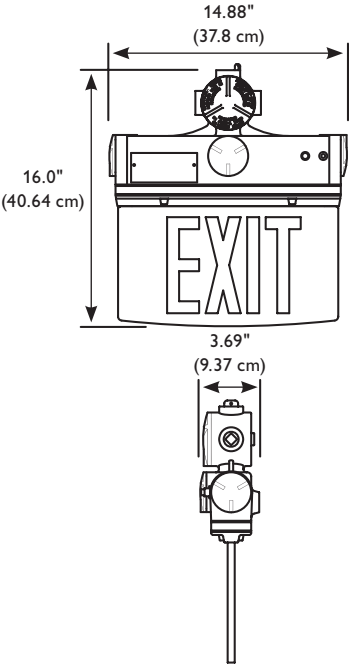


# EX Series

## EXPLOSION-PROOF EDGE-LIT LED EXIT SIGN

**EXN1RWPM**



**Features**

**Illumination:** Illumination of the exit stencil face is accomplished with long lasting, high output Light Emitting Diodes (LEDs). Hot spots and striations are eliminated by the internal “light chamber” specially designed around the high performance LED array.

**Housing:** Copper-free cast aluminum enclosure with powder coat finish designed to withstand the pressure of explosions generated by internal arc without propagating them into the hazardous atmosphere. Acrylic edge-lit single face or double face panel. Available in wall/pendant or end mount configurations. The EX Series is UL listed for Class I, Division 1, Groups C & D; Class I, Division 2, Groups A, B, C & D; Class II, Division 1 & 2, Groups E, F & G; and Class III, Zone 1, Groups IIA, IIB; Class I, Zone 2, Groups IIA, IIB, + H<sub>2</sub> & IIC areas.

**Operating Temperature Range:**  
50°F (10°C) to 104°F (40°C)

**Electronics:** 120/277 VAC dual voltage input is standard on all AC models. For emergency operation, 120/277 VAC dual voltage input with surge-protected, solid-state circuitry provides for a reliable charging system. Standard features include low voltage disconnect, AC lockout and brownout protection.

**Electrical Specifications:**

- AC-Only Red: 0.012 A (120 VAC)  
0.005 A (277 VAC)
- AC-Only Green: 0.019 A (120 VAC)  
0.008 A (277 VAC)
- Self-Powered Red: 0.020 A (120 VAC)  
0.009 A (277 VAC)
- Self-Powered Green: 0.025 A (120 VAC)  
0.011 A (277 VAC)

**Code Compliance**

UL 924 and 844 listed. Temperature Class (T-Rating)-T6. NFPA 101, NEC, BOCA, OSHA and IBC illumination standards. UL 1598/A Marine rated. IP65 listed.

**Warranty**

Five years full electronics warranty. Five year full, five year pro-rata nickel cadmium battery warranty.

Job Information	Type:
Job Name:	
Cat. No.:	
Notes:	

# EX Series

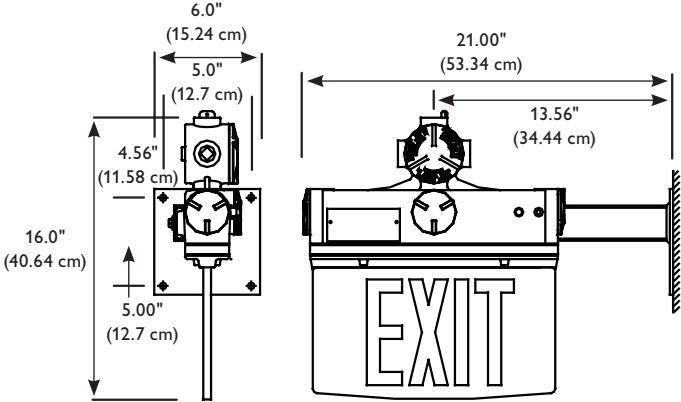
## EXPLOSION-PROOF EDGE-LIT LED EXIT SIGN

### Ordering Information

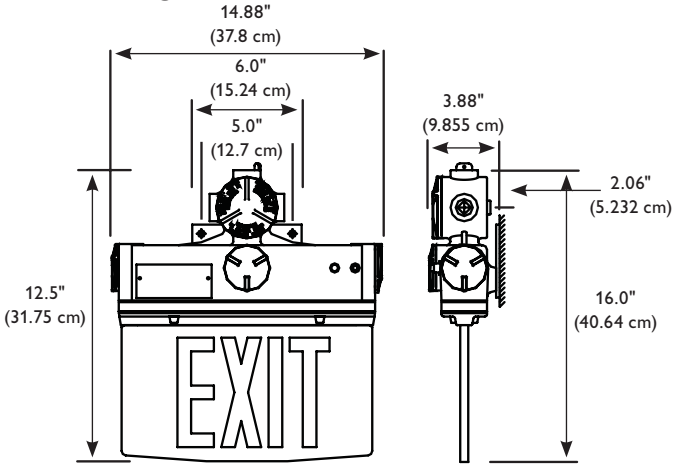
EX				
Series	Mode of Operation	# of Faces	Legend Color	Mounting Configuration
<b>EX</b> = Class I, Div. 1 LED Exit Sign	<b>A</b> = AC Only <b>N</b> = Self-Powered	<b>1</b> = Single Face <b>2</b> = Double Face	<b>R</b> = Red <b>G</b> = Green	<b>WPM</b> = Wall/Pendant Mount <b>EMB</b> = End-Mount Bracket

### Mounting Kits

#### End Mounting Kit



#### Wall Mounting Kit



Philips Lightolier  
 e: lol.webmaster@philips.com  
 t: (508) 679-8131  
 w: www.lightolier.com

EX Series August 4, 2011

Specifications are subject to change without notice.  
 © Koninklijke Philips Electronics N.V., 2011. All rights reserved.

**Job Information** Type: