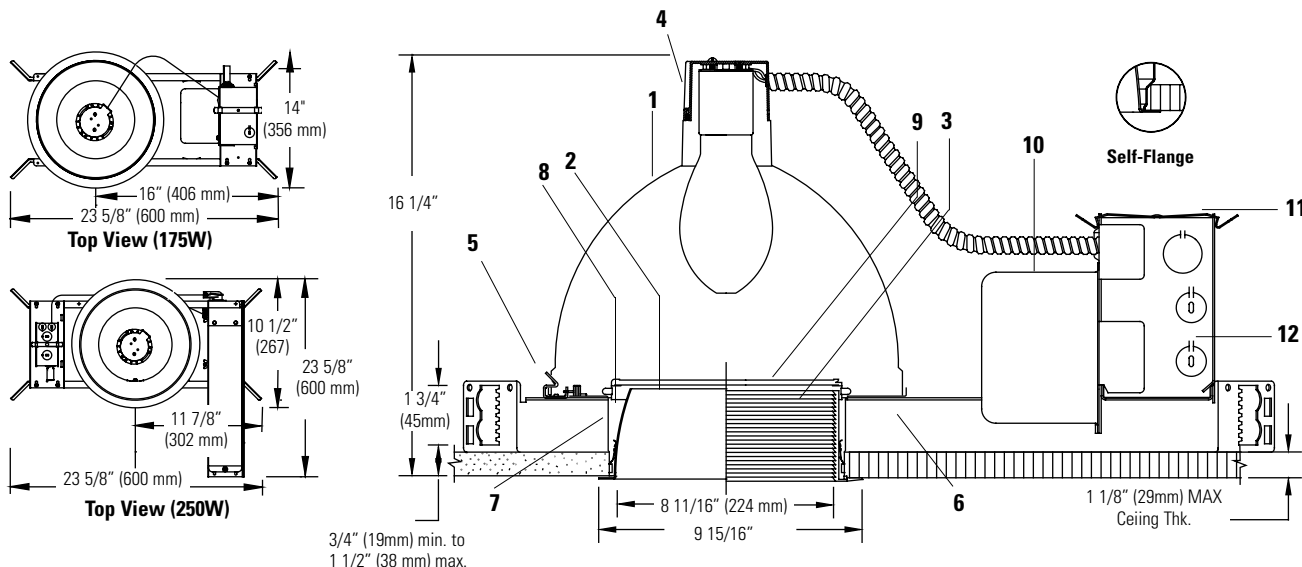


# Calculite® H.I.D. Open Downlight **EL8B**



Complete Fixture consists of Reflector Trim & Frame-In Kit. Select each separately.

Reflector Trim	Frame-In Kit	Lamp
<b>EL8 CLW</b> Specular Clear, White Self-Flange	<b>EL8B 17HB</b>	175W E28, BT28 (Coated) Enclosed Metal Halide
<b>EL8 CLP</b> Specular Clear, Polished Self-Flange	<b>EL8B 25HB</b>	250W E28, BT28 (Coated) Enclosed Metal Halide
<b>EL8 MG</b> Black Multi-Groove, White Trim Ring		
<b>EL8 BKW</b> Specular Black, White Flange		

## Features

- Reflector:** Specular clear Alzak® aluminum, 16 ga. provides wide beam distribution. Can be removed from above for top relamping.
- Aperture Cone:** Specular Alzak® clear or black aluminum (with U.V. resistant, non-fading finish), 16 ga. Painted white flange.
- Multi-Groove Baffle:** One piece seamless aluminum. Sharply detailed concentric rings, black finish. White molded trim ring.
- Socket Cup:** Heat dissipating die-cast aluminum with mogul base porcelain socket with nickel plated screw shell.
- Spring Loaded Latches:** Permit removal of housing for access to splices and/or top relamping.
- Mounting Frame:** Die-formed steel, 16 ga. vertically oriented for maximum rigidity. Comes with 4 mounting brackets to accept standard 3/4" or 1 1/2" lathing channels (by others), 1/2" EMT tubing (by other) or optional Lightolier mounting bars (1950 or 1951).
- Mounting Ring:** Die-formed steel, 20 ga. Designed for vertical adjustment from inside of fixture, black finish.
- Retaining Springs:** Rust resistant springs simplify reflector/housing removal for inspection and maintenance.
- Lamp Guard:** High heat resistant glass (as required by lamp manufacturer).
- Ballast/Junction Box Assembly:** Ballast and splice box on 16 ga. plate. Accessible from below without tools for inspection and replacement.
- Junction Box:** 16 ga. steel. Can be inspected from below. UL listed for maximum of (8) No. 12 AWG, 90°C through branch conductors.
- Thermal Protector:** Meets NEC and UL requirements. Thermal insulation shall not be installed within 3" (76mm) of the recessed fixture enclosure, wiring compartment, or ballast, and shall not be so installed above the fixture so as to entrap heat and prevent the free circulation of air.

## Electrical

**Ballast:** 120/277V, magnetic, lag type high reactance autotransformer, high power factor, encased and filled with a special thermally conductive insulation material for heat dissipation and quiet operation.

## Electrical (continued)

Ballast	ANSI Code	Voltage	Max. Amps	Input Watts
175W MH	M57	120/277	1.80/0.80	210
250W MH	M58	120/277	2.50/1.12	293

## Options and Accessories

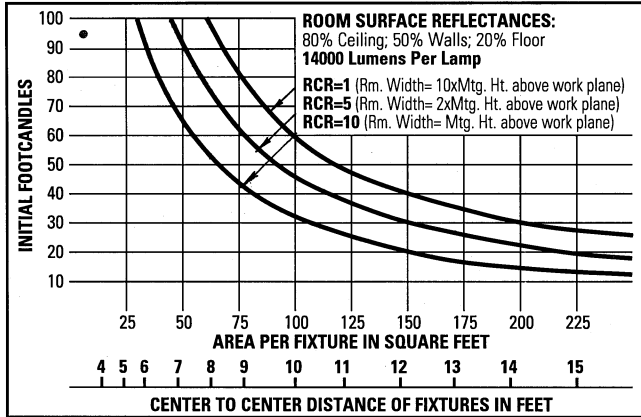
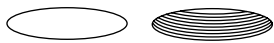
- Mounting Bars:** 1950 - 18" Set of (2), 1951 - 27" set of (2)
- T-Bar Anchor Clips:** 1956 (set of 4). For use with mounting bars.
- Slope Ceiling Adaptor:** 7927. See Spec. Sheet SCA.
- Auxiliary:** Add suffix **A** to Frame-In Kit. See Spec. Sheet "A".
- Emergency:** Add suffix **E** to Frame-In Kit. See Spec. Sheet "E".
- Fuse:** Add suffix **F1** or **F2** to Frame-In Kit (F1=120V, F2=277V)
- Chicago Air Plenum:** Add **LC** to Frame-In Kit

## Labels

UL (Suitable for Damp Locations), CSA, I.B.E.W.

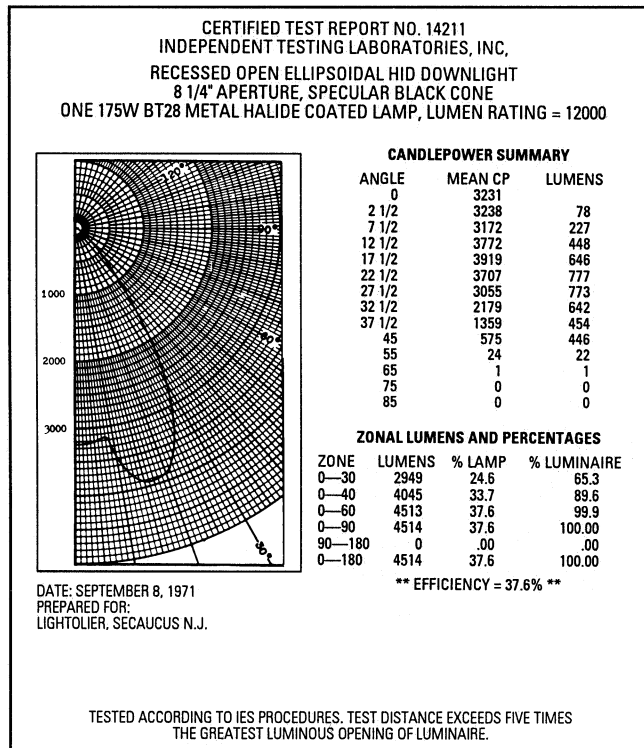
Alzak® is a registered trademark of ALCOA.

Job Information	Type:
<b>Job Name:</b>	
<b>Cat. No.:</b>	
<b>Lamp(s):</b>	
<b>Notes:</b>	



This quick calculator chart determines the number and spacing of 175 Watt BT28 Metal Halide units (Black) for any level of illumination. Lighting Conversion Factors: 175 Watt BT28 Metal Halide: Clear/Gold, F.C. x 1.1; Multi-Groove, F.C. x 1.0. 250 Watt BT28 Metal Halide: Clear/Gold, F.C. x 1.6; Black/Multi Groove, F.C. x 1.5.

**SPACING RATIO = 1.1**



**COEFFICIENTS OF UTILIZATION**

% EFFECTIVE CEILING CAVITY REFLECTANCE

ROOM CAVITY RATIO	% WALL REFLECTANCE															
	80			70			50			30			10			0
	50	30	10	50	30	10	50	30	10	50	30	10	50	30	10	0
1	.42	.41	.40	.41	.40	.39	.39	.39	.38	.38	.37	.37	.36	.36	.35	
2	.39	.37	.36	.38	.37	.36	.37	.36	.35	.36	.35	.34	.35	.34	.33	
3	.36	.34	.33	.36	.34	.33	.35	.33	.32	.34	.33	.32	.33	.32	.31	
4	.34	.32	.30	.33	.31	.30	.33	.31	.30	.32	.30	.29	.31	.30	.29	
5	.32	.29	.28	.31	.29	.28	.30	.29	.27	.30	.28	.27	.29	.28	.27	
6	.30	.27	.26	.29	.27	.26	.29	.27	.25	.28	.27	.25	.28	.26	.25	
7	.28	.25	.24	.27	.25	.24	.27	.25	.24	.26	.25	.23	.26	.24	.23	
8	.26	.23	.22	.25	.23	.22	.25	.23	.22	.25	.23	.21	.24	.23	.21	
9	.24	.21	.20	.23	.21	.20	.23	.21	.20	.23	.21	.20	.22	.21	.19	
10	.22	.20	.18	.22	.19	.18	.21	.19	.18	.21	.19	.18	.21	.19	.17	

20% FLOOR CAVITY REFLECTANCE

Conversion Factors: 175W and 250W BT28 Metal Halide: Clear/Gold C.U. x 1.1; Black/Multi-Groove, C.U. x 1.0.

**Job Information** **Type:**

Lightolier a Genlyte Thomas Company [www.lightolier.com](http://www.lightolier.com)  
631 Airport Road, Fall River, MA 02720 • (508) 679-8131 • Fax (508) 674-4710  
We reserve the right to change details of design, materials and finish.  
© 2002 Genlyte Thomas Group LLC (Lightolier Division) • A0902

**LIGHTOLIER**