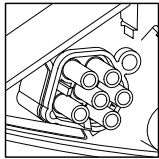


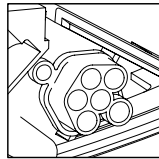
Feature Specifications

Electrical

Connections: Wiring is via 18 gauge wire. All electrical connections for standard configurations are plug-and-play via 6-wire cannon plug connections. Connections are seated in end castings of fixtures, allowing for simultaneous mechanical/ electrical coupling. Connectors are male/female therefore modules must be installed male to female, starting from the power feed end set.



Male



Female

All static ballasts have the following features:

- Electronic
- High Power Factor
- Class A sound rating
- Metal can

Emergency Battery Pack: Emergency Battery packs are designed to operate when normal building power is interrupted. The battery packs operate for a minimum of 90 minutes without any power via a rechargeable battery source. The pack does not utilize the standard static ballast for any of its operation since the pack carries its own pseudo ballast. For this reason, Lightolier does not recommend remote mounting EM Packs because all of the socket wiring would need to carry throughout the power feed end set. The EM batteries, even in their largest, most expensive form, operate the fluorescent lamps at only half the lamp rated output. Emergency battery packs are available in the following outputs:

- 450 Lumens (Standard)
- 635 Lumens
- 1100 Lumens
- 1375 Lumens

Emergency battery packs can be used for emergency egress lighting since all listed packs operate for a minimum of 90 minutes, or can be used as momentary lighting for emergency circuit power transitions. Smaller packs are recommended for this purpose.

Dimming: T8 and T5HO lamps are dimmed with two wire ballasts. T8 lamps can be dimmed down to 5% and T5HO lamps can be dimmed down to 1%. T5 lamps require 5-wire dimming ballasts and can be dimmed down to 1%. A 5-wire power feed will be required for T5 (non-HO) dimming.

Labels Included

UL, cUL, and IBEW

Features

- 1. Housing:** 18 gauge steel. 6" (15.24cm) cast aluminum end caps. No exposed fasteners or hardware.
- 2. Lamping:** 1 T8 fluorescent lamp per 4' (121.92cm) section. Lamps by Lightolier as an option, see ordering information.
- 3. Reflector:** Precision die-formed premium anti-iridescent, highly reflective aluminum.
- 4. Louver:** Parabolic louver, low-iridescent semi-specular anodized aluminum, 25 degree shielding lengthwise. Blades are spaced 2.3" (5.84cm) O.C with a radius that matches the housing. 1" (2.54cm) tall louver attaches to housing.
- 5. Optional Slotted Top Reflector:** Precision die-formed anti-iridescent, highly reflective aluminum.

Mountings

Cable suspension is on 48" (121.92cm) and 96" (243.84cm) centers and consists of a 4 1/2" (11.43cm) diameter canopy finished white enamel. A 1/16" (0.16cm) diameter stainless steel aircraft cable accomplishes suspension and is adjustable from 12" (30.48cm) to 36" (91.44cm). Power feed is 18-gauge SJT white cord. For special circuiting consult factory.

Finish

Powder coated, baked enamel, white or aluminum, as specified. Custom colors available, consult factory.

Ordering Instructions

Individual Fixtures:

1. Order number of MODULES required.
2. Order one POWER FEED END SET per MODULE.

Continuous Rows:

1. Determine run length.
2. Order the appropriate number of MODULES for the complete run.
3. Order one POWER FEED END SET for each run.
4. Order one CABLE ASSEMBLY per MODULE minus one per run.
5. For runs that exceed conductor ampacity ratings order the appropriate number of SINGLE CABLE & CORD SETS.

Job Information

Type:

Job Name:

Cat. No.:

Lamp(s):

Notes:

Module Ordering Information

Family	Series	Lamping & Distribution	Ballast	Lamp	Shielding	Length	Voltage	Finish	Options (Blank)
EG	1	1 = 1 Lamp 4 = 1 Lamp, Slotted Top Reflector	See Chart Below	See Chart Below	P = Parabolic Louver	4 = 4' (121.92cm) 8 = 8' (243.84cm)	1 = 120V 2 = 277V	A = Aluminum W = White	4 = 4 through wires 5 = 5 through wires 6 = 6 through wires D = Dual Switch T = Tandem Switch E = Emergency Pack

When ordering generic ballast and no lamps provided by Lightolier, use Ballast code "Z" Lamp code "Z"

Module Ordering Specifications

Lamping and Distribution

1 = 1 Lamp

4 = 1 Lamp, Slotted Top Reflector

Ballast Specifications

Code	Lamp Type	Ballast Factor	Start Type	THD %
A	T8	0.78	Instant	<10
B	T8	0.88	Instant	<10
C	T8	1.20	Instant	<20
H	Dim T8	1.00/.05	Program	<10
Z	T8	0.88	Instant	<20

Lamping Specifications

Code	Lamp Type	Wattage	Rated Output (Lumens)	Color (K)
A	T8	28	2725	830
B	T8	28	2725	835
C	T8	28	2725	841
D	T8	30	2850	830
E	T8	30	2850	835
F	T8	30	2850	841
G	T8	32	3000	830
H	T8	32	3000	835
I	T8	32	3000	841
J	T8	32	3100	830
K	T8	32	3100	835
L	T8	32	3150	841

Dimming: Advance Mark-10 standard (no additional wires required) for T8 and T5HO fixtures. 5-wire dimming required for T5 (non-HO) fixtures. Optional dimming systems: Lutron ECO-10 and Hi-Lume (by others) require 4-wire modules and end sets. Mark-7, ULT, DALI and Lightolier HDF require 5-wire power feed end sets. Energos can accept ballasts not to exceed 1.7" (4.32cm) wide by 1.2" (3.05cm) high.

Shielding

P = Parabolic Louver

Length

4 = 4ft (48") (121.92cm)

8 = 8ft (96") (243.84cm)

Voltage

1 = 120VAC

2 = 277VAC

Finish

A = Aluminum

W = White

Wiring Options

Blank = Leave blank if ordering standard fixture.

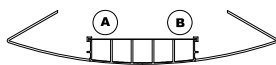
4 = 4 through wires

5 = 5 through wires

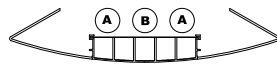
6 = 6 through wires

Feature Options

D = Dual Switching (AKA A/B switching)



2-Light Option



3-Light Option

T = Tandem Switching (also available in 1-lamp configuration)



A

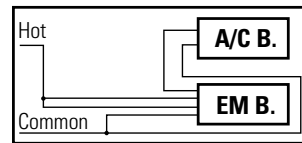
B

Both Dual Switch and Tandem Switch fixtures ship with a 4th wire. Be sure to order the appropriate quantity of wires in the power feed.

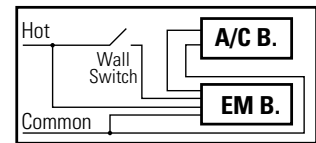
631 Airport Road, Fall River, MA 02720 • (508) 679-8131 • Fax (508) 674-4710
 We reserve the right to change details of design, materials and finish.
 www.lightolier.com © 2009 Philips Group • F1109

Feature Options (continued)

E = Emergency Battery Pack (E): Battery packs provide 90 minutes of operation. Available lamp outputs: 450 Lumens (standard). Optional: 635, 1100 and 1375 Lumens. Standard Emergency wiring is to have Battery Pack operating a single lamp. All EM fixtures are wired as "switched" and include 4th through wire for the wall switch (see diagrams). All fixtures and power feeds in that run should be ordered to include a dedicated 4th through wire to carry the hot power all the way through the run to the EM pack.



Unswitched



Switched

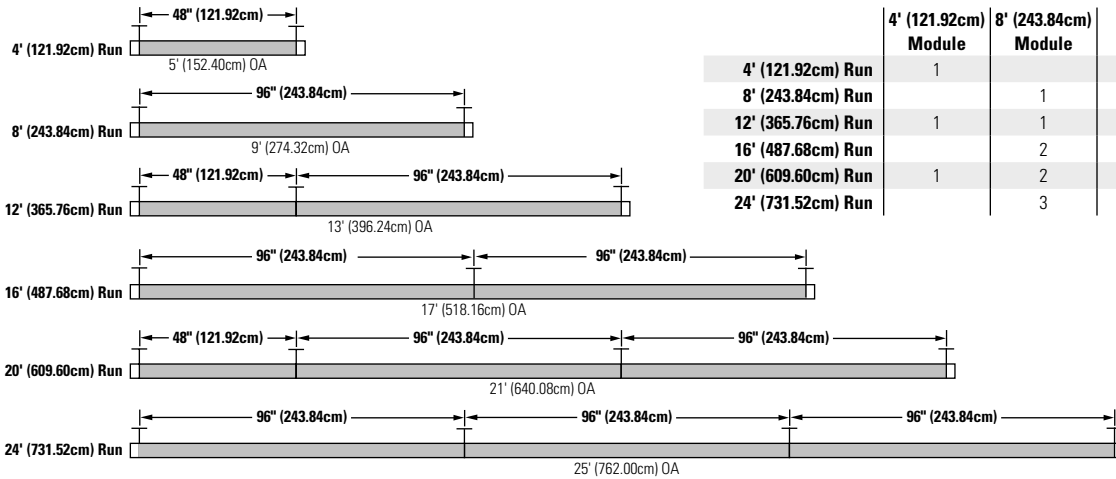
Job Information

Type:

PHILIPS

LIGHTOLIER®

Fixture Lengths & Mounting Locations



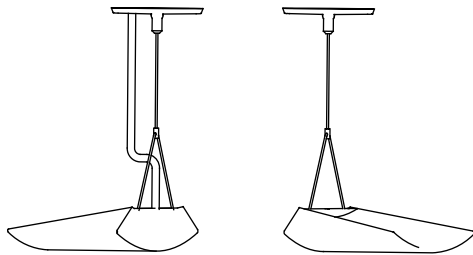
Suspension and End Set Ordering Illustrations

Power Feeds

Consult Lamp and Ballast System data to determine input watt requirements for ballast used on project to determine loading for each run. Multiply the total number of ballasts by the input wattage per ballast, and to determine ampacity divide the total watts by the system voltage. 10 Amps for 3-wire end sets, 7 Amps for 4-wire and 5-wire end sets, maximum.

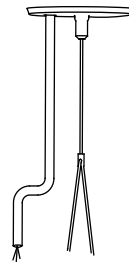
Control

Consult appropriate ECS (Energos Control Systems) specification sheet for ordering product utilizing occupancy controls. ECS specification sheet numbers directly correlate to standard Energos specification sheet numbers.



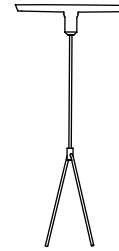
Power Feed End Set

- White, 3 Wire Cord: EG1EC36W
- White, 4 Wire Cord: EG1EC36W4
- White, 5 Wire Cord: EG1EC36W5
- Aluminum, 3 Wire Cord: EG1EC36A
- Aluminum, 4 Wire Cord: EG1EC36A4
- Aluminum, 5 Wire Cord: EG1EC36A5



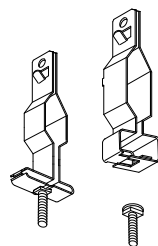
Cable/Cord Assembly

- Single Cable & Power Cord: EGCC36
- Single Cable & 4 Wire Power Cord: EGCC36X4
- Single Cable & 5 Wire Power Cord: EGCC36X5



Cable Assembly

Single Cable: EGC36



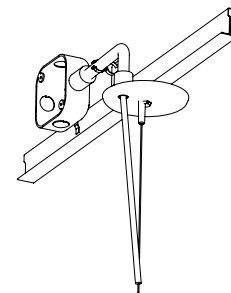
Ceiling Grid Kit: CGK

Because most ceilings are white, all canopies ship as white unless specifically ordered otherwise.

Both CGK and CGKP ship with two types of clips (standard and slot T).

For mounting fixtures directly to the T grid, order one CGK per non-power suspension point and one CGKP per powered suspension point.

The CGKP will include a special canopy with flex coupler, grid clips and additional clips to mount the junction box to the top of the grid nearby. J-Box and flex conduit provided by others.

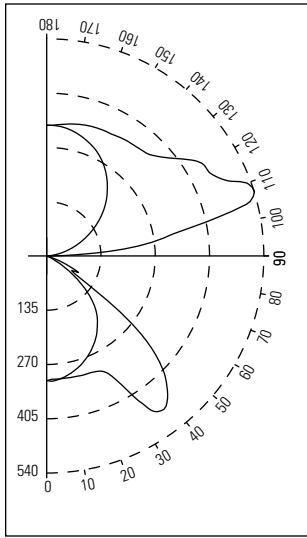


Ceiling Grid Kit, Power: CGKP

Job Information	Type:
------------------------	--------------

Performance — One Lamp Fixture With Open Top

Candlepower Curve



Report No.: EG1-1N-BE.ies
 Lamps: 1-F32T8
 Lumens: 2850
 Efficiency: 90.8%
 Cat. No.: EG11BEP
 25°C Rating

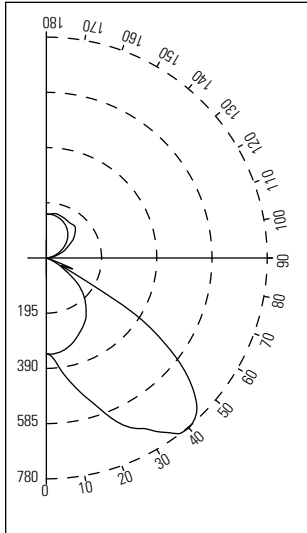
Zone→ Degree ↓	Candlepower				
	0	22	45	67	90
180	325	325	325	325	325
175	324	325	327	326	327
165	312	318	326	333	338
155	290	302	318	334	343
145	256	278	307	335	349
135	212	245	291	336	358
125	162	208	275	367	419
115	107	167	305	419	466
105	54	145	341	492	524
95	11	139	160	220	186
92.5	6	80	81	127	85
90	0	6	11	13	17
85	0	0	0	0	0
75	1	2	2	3	2
65	17	36	15	46	65
55	74	174	197	190	136
45	163	206	375	414	414
35	219	239	286	404	473
25	260	270	285	304	316
15	290	294	299	306	309
5	309	309	309	308	307
0	310	310	310	310	310

		Coefficients Of Utilization									
		% Effective Ceiling Cavity Reflectance			% Wall Reflectance			% Floor Cavity Reflectance			
		80			70			50			
Room Cavity Ratio	↓	50			30			10			
		0	95	95	95	86	86	86	68	68	68
		1	84	80	77	76	73	71	61	59	57
		2	74	68	64	67	62	59	54	51	48
		3	65	59	54	59	54	49	48	44	41
		4	57	51	46	52	46	42	42	38	35
		5	51	44	39	47	40	36	38	33	30
		6	46	39	34	42	35	31	34	29	26
		7	41	34	29	37	31	27	31	26	23
		8	37	30	25	34	28	24	28	23	20
		9	34	27	22	31	25	21	25	21	18
10	31	24	20	28	22	19	23	19	16		

Distribution			
Zone	Lumens	% Lamp	% Luminaire
0-90	880	31.0	34.0
90-180	1708	60.0	66.0
0-180	2588	91.0	100.0

Performance — One Lamp Fixture With Optional Slotted Top Reflector

Candlepower Curve



Report No.: EG1-1D-BE.ies
 Lamps: 1-F32T8
 Lumens: 2850
 Efficiency: 73%
 Cat. No.: EG11BEP
 25°C Rating

Zone→ Degree ↓	Candlepower				
	0	22	45	67	90
180	155	155	155	155	155
175	155	155	156	155	155
165	150	153	158	160	159
155	141	149	151	155	154
145	127	137	141	147	149
135	107	117	128	145	145
125	82	94	115	119	116
115	54	70	79	80	76
105	26	38	40	46	41
95	3	7	6	11	9
90	0	0	0	0	0
85	0	0	0	0	0
75	0	1	0	0	0
65	24	67	74	73	73
55	97	293	415	474	484
45	186	410	611	712	752
35	245	399	585	701	753
25	286	382	516	617	654
15	321	366	448	487	500
5	339	344	353	361	366
0	338	338	338	338	338

		Coefficients Of Utilization									
		% Effective Ceiling Cavity Reflectance			% Wall Reflectance			% Floor Cavity Reflectance			
		80			70			50			
Room Cavity Ratio	↓	50			30			10			
		0	83	83	83	79	79	79	71	71	71
		1	74	71	69	70	68	66	64	62	61
		2	65	61	57	62	59	55	57	54	51
		3	58	52	48	55	50	47	50	47	43
		4	51	45	41	49	44	40	45	40	37
		5	45	39	35	43	38	34	40	35	32
		6	41	34	30	39	33	29	36	31	28
		7	36	30	26	35	29	25	32	27	24
		8	33	27	23	32	26	22	29	24	21
		9	30	24	20	29	23	20	26	22	19
10	27	22	18	26	21	18	24	20	17		

Distribution			
Zone	Lumens	% Lamp	% Luminaire
0-90	1544	54	74
90-180	536	19	26
0-180	2081	73	100

Job Information **Type:**

Ballast and Lamp Ordering Combinations

Design.	Lamp Type (T8 or T5)	Ballast Factor (BF)	Ballast THD (%)	Lamp Rated Wattage	Lamp Rated Output	Lamp Color (Kelvin)	IES Output (Lumens)	System Input Watts	System Efficacy (lum/watt)	System Lamp Life (Hours)	Start Type
AA	T8	0.78	<10	28	2725	830	2415	21	101.21	18000	Instant
AB	T8	0.78	<10	28	2725	835	2415	21	101.21	18000	Instant
AC	T8	0.78	<10	28	2725	841	2415	21	101.21	18000	Instant
AD	T8	0.78	<10	30	2850	830	2526	22.5	98.80	18000	Instant
AE	T8	0.78	<10	30	2850	835	2526	22.5	98.80	18000	Instant
AF	T8	0.78	<10	30	2850	841	2526	22.5	98.80	18000	Instant
AG	T8	0.78	<10	32	3000	830	2659	24	97.50	18000	Instant
AH	T8	0.78	<10	32	3000	835	2659	24	97.50	18000	Instant
AI	T8	0.78	<10	32	3000	841	2659	24	97.50	18000	Instant
AJ	T8	0.78	<10	32	3100	830	2748	24	100.75	18000	Instant
AK	T8	0.78	<10	32	3100	835	2748	24	100.75	18000	Instant
AL	T8	0.78	<10	32	3150	841	2792	24	102.38	18000	Instant
BA	T8	0.88	<10	28	2725	830	2725	24	99.92	18000	Instant
BB	T8	0.88	<10	28	2725	835	2725	24	99.92	18000	Instant
BC	T8	0.88	<10	28	2725	841	2725	24	99.92	18000	Instant
BD	T8	0.88	<10	30	2850	830	2850	26	96.46	18000	Instant
BE	T8	0.88	<10	30	2850	835	2850	26	96.46	18000	Instant
BF	T8	0.88	<10	30	2850	841	2850	26	96.46	18000	Instant
BG	T8	0.88	<10	32	3000	830	3000	27.5	96.00	18000	Instant
BH	T8	0.88	<10	32	3000	835	3000	27.5	96.00	18000	Instant
BI	T8	0.88	<10	32	3000	841	3000	27.5	96.00	18000	Instant
BJ	T8	0.88	<10	32	3100	830	3100	27.5	99.20	18000	Instant
BK	T8	0.88	<10	32	3100	835	3100	27.5	99.20	18000	Instant
BL	T8	0.88	<10	32	3150	841	3150	27.5	100.80	18000	Instant
CA	T8	1.2	<20	28	2725	830	3716	34.5	94.78	18000	Instant
CB	T8	1.2	<20	28	2725	835	3716	34.5	94.78	18000	Instant
CC	T8	1.2	<20	28	2725	841	3716	34.5	94.78	18000	Instant
CD	T8	1.2	<20	30	2850	830	3886	36.5	93.70	18000	Instant
CE	T8	1.2	<20	30	2850	835	3886	36.5	93.70	18000	Instant
CF	T8	1.2	<20	30	2850	841	3886	36.5	93.70	18000	Instant
CG	T8	1.2	<20	32	3000	830	4091	39	92.31	18000	Instant
CH	T8	1.2	<20	32	3000	835	4091	39	92.31	18000	Instant
CI	T8	1.2	<20	32	3000	841	4091	39	92.31	18000	Instant
CJ	T8	1.2	<20	32	3100	830	4227	39	95.38	18000	Instant
CK	T8	1.2	<20	32	3100	835	4227	39	95.38	18000	Instant
CL	T8	1.2	<20	32	3150	841	4296	39	96.92	18000	Instant
HG	T8 DIM	1.0 / .05	<10	32	2850	830	2850 /143	34 / 8	83.80	NA	Program
HH	T8 DIM	1.0 / .05	<10	32	2850	835	2850 /143	34 / 8	83.80	NA	Program
HI	T8 DIM	1.0 / .05	<10	32	2850	841	2850 /143	34 / 8	83.80	NA	Program

Notes:

*25°C Rating

All data is per 1 lamp on a two lamp system at 277 VAC. Data is based on Osram Sylvania Specifications

When ordering generic ballasts and no lamps provided by Lightolier, use Ballast Code "Z" and Lamp code "Z"

The lumen value for the lamp (within a Lighting Design program) will be the IES Output value shown on this table.

Job Information **Type:**