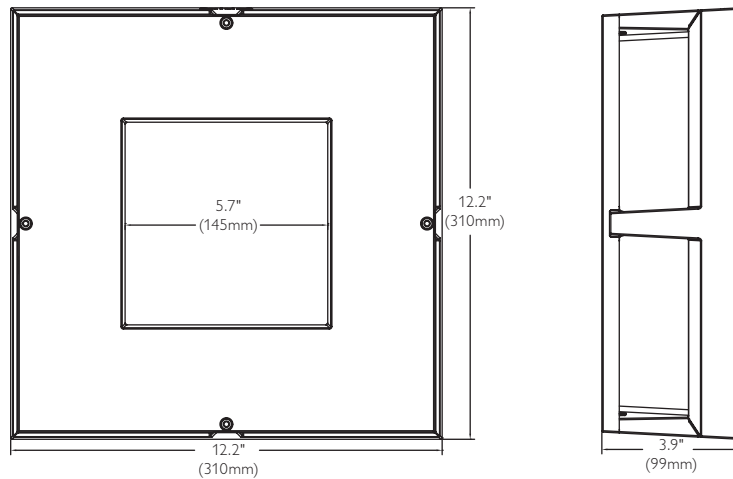


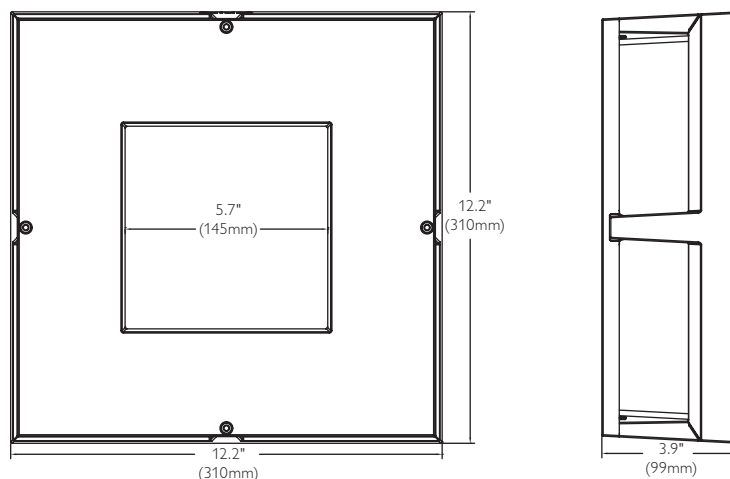
## Decorative, Efix Square Side Reveal, Wet Location



Spec ID	Color	Lamp	Volts
EFX4122MSU	Matte Silver	(1) 22W T5 Circline	120 to 277V
EFX4122WHU	Matte White	(1) 22W T5 Circline	120 to 277V
EFX4122BZU	Matte Bronze	(1) 22W T5 Circline	120 to 277V
EFX4218MSU	Matte Silver	(2) 18W Quad Tube	120 to 277V
EFX4218WHU	Matte White	(2) 18W Quad Tube	120 to 277V
EFX4218BZU	Matte Bronze	(2) 18W Quad Tube	120 to 277V
EFX4126MSU	Matte Silver	(1) 26W Quad Tube	120 to 277V
EFX4126WHU	Matte White	(1) 26W Quad Tube	120 to 277V
EFX4126BZU	Matte Bronze	(1) 26W Quad Tube	120 to 277V
EFX4126MSUEM*	Matte Silver	(1) 26W Quad Tube	120 to 277V
EFX4126WHUEM*	Matte White	(1) 26W Quad Tube	120 to 277V
EFX4126BZUEM*	Matte Bronze	(1) 26W Quad Tube	120 to 277V

Job Information	Type:
Job Name:	
Cat. No.:	
Notes:	

## Decorative, Efix Square Side Reveal, Wet Location



### Specifications

**Housing:** Die cast aluminum

**Ballast and Socket Mounting Plate:** 18 GA stamped steel.

**Diffuser:** Opal polycarbonate

### Lamping (by others)

General Electric	Osram Sylvania	Philips
1) 22W 4-Pin T5 Circline Linear Fluorescent Lamp		
—	FPC22/*	TL5C 22W/*
2) 18W 4-Pin Quad Tube Compact Fluorescent Lamp		
F18DBX/*/ECO4P	CF18DD/E/*/ECO	PL-C 18W/*/4P/ALTO
3) 26W 4-Pin Quad Tube Compact Fluorescent Lamp		
F26DBX/*/ECO4P	CF26DD/E/*/ECO	PL-C 26W/*/4P/ALTO

\*Manufacturers color temperature designation

### Ballast

	22 Watt		18 Watt		26 Watt	
Voltage	120	277	120	277	120	277
Total Input Watts	27	25	39	39	29	29
Max. Line Current (Amps)	.23	.09	.33	.14	.24	.11

### Lampholders

#### Compact Fluorescent:

**18W & 26W Quad Tube:** G24q-2 (18W) and G24q-3 (26W) Base, High Impact Thermoset Polymer with Brass Contacts.

#### Linear Fluorescent:

**22W T5 Circline:** 2GX13 Base, High Impact Thermoset Polymer with Brass Contacts.

### Mechanical

Fixtures are suitable for wall or ceiling mounting applications.

### Finish

Matte White, Matte Silver or Matte Bronze polyester powdercoat.

### Labels

cULus Listed. Suitable for wet locations.

**\*Emergency:** ULus listed, Integral Bodine BDL014 emergency battery pack, test switch and light.



Philips Lightolier  
 e: lol.webmaster@philips.com  
 t: (508) 679-8131  
 w: www.lightolier.com

EFX4 May 23, 2011

Specifications are subject to change without notice.  
 © Koninklijke Philips Electronics N.V., 2011. All rights reserved.

<b>Job Information</b>	<b>Type:</b>
------------------------	--------------