

DR2PN

User Control Panels

Page 1 of 4

Philips DR2PN series user control panels incorporate a revolutionary clip-on cover fastening system which provides the ultimate in aesthetic design flexibility. DR2PN series panels are available in a range of configurations including single column, which provides arrangements of one to eight buttons, and double or triple column designs for up to twenty four buttons. Smooth action buttons with LED indicators provide both tactile and visual feedback and are easily removed for engraving, further assisting the identification of button function. Button backlighting is also provided to illuminate engraved text, improving night time panel location and operation.

Technical data



Supply

DyNet DC Load: 20mA - 60mA@24VDC
(depending on the button count & backlight usage)

Control inputs

1 x RS485 DyNet serial port
5-way removable screw terminals
1x14 AWG or 2 x 18 AWG max.
conductor size

Front cover finishes

Standard: Brushed stainless steel, white glass, black glass. An extensive designer range of cover finishes is also available.

Button colors

Charcoal grey, white or silver

LED Indicators

Status indicator - Blue
Button backlighting - White

Compliance

FCC, ICES, RoHS Compliant

Operating environment

32° to 122°F (0° to 50°C) ambient temp
0% to 90% RH non condensing

Construction

Bezel, key carrier and grid plate - polycarbonate
Standard Covers - Stainless steel, glass

Weight

Packed weight 0.5 lbs

Cover finishes

The Philips Dynalite DR2P Revolution series user control panels include an extensive designer range of cover and button cap color accessories. Available cover finishes include brushed stainless steel, white glass and black glass as standard, and can encompass any finish imaginable; wood grain, processed stone, laminate, fabric. To complement these finishes, button caps are available in silver, white and charcoal grey, providing a wide range of décor matching possibilities.



White Optically Clear Glass,
Silver Buttons
(standard finish)



Black Borosilicate Glass,
Charcoal Buttons
(standard finish)



Brushed Stainless Steel,
Charcoal Buttons
(standard finish)



White Powder Coat,
Charcoal Buttons
(custom order)



Mirrored Stainless Steel,
White Buttons
(custom order)



Polished Brass,
White Buttons
(custom order)



Antique Bronze,
Silver Buttons
(custom order)



White Borosilicate Glass,
Charcoal Buttons
(custom order)

Job Information Type:

Job Name:

Cat. No.:

Notes:

PHILIPS
sense and simplicity

Compatibility

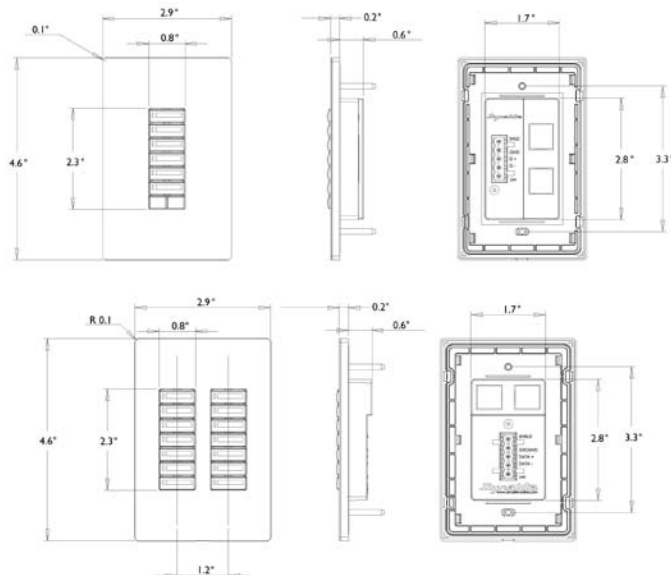
Capability identifies the functionality of the control panels. DR2P-NA are supplied with '9 Series Configurable' capability. The 9 series configurable panel is used in any situation where extended functionality is required. The power in the 9 series comes from the capability to run sequential and conditional logic routines. 9 series panels are used in demanding such as;

- When describing lighting control functions using the words 'if' and/or 'then'
- Complex joining of multi-partitioned rooms
- Controlling light scenes in multiple areas
- Interfacing third party devices to a DyNet network (multi-function input interface)
- In conjunction with smart faders
- Controlling chase sequences
- Infrared input

Features at a glance

9 Series Configurable	<ul style="list-style-type: none"> • Custom script • Macros • Multiple DyNet messages • Conditional Logic 	One Touch	Preset	Program	Preset Up/Down	RS485 Connection
		On/Off Toggle	Panic	Multi-function input interface	Join (multiple rooms)	

Dimensions



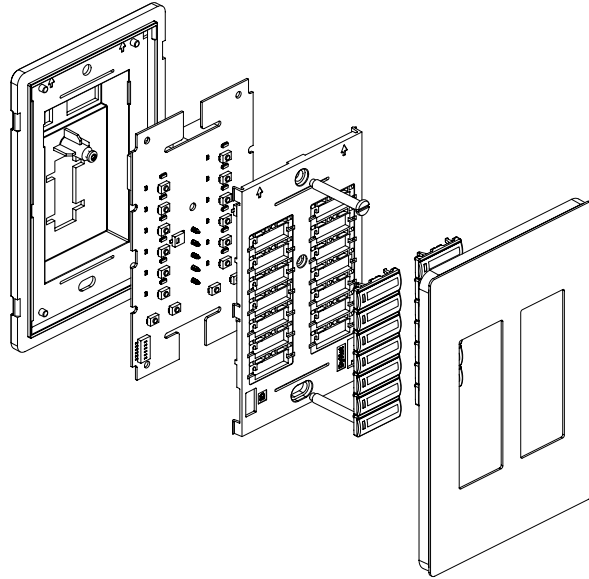
Mounts in 1-Gang Masonry or other
"Squared" opening Back Box (by others)

Mounts in 1-Gang Masonry or other
"Squared" opening Back Box (by others)

Job Information Type:

Snap-on finishes

User requirements can shift over time and necessitate change to, or additions of, buttons on an existing panel. Button column assemblies and covers snap-on, enabling changes to be easily accommodated, without the need for any special tools or extra wiring.

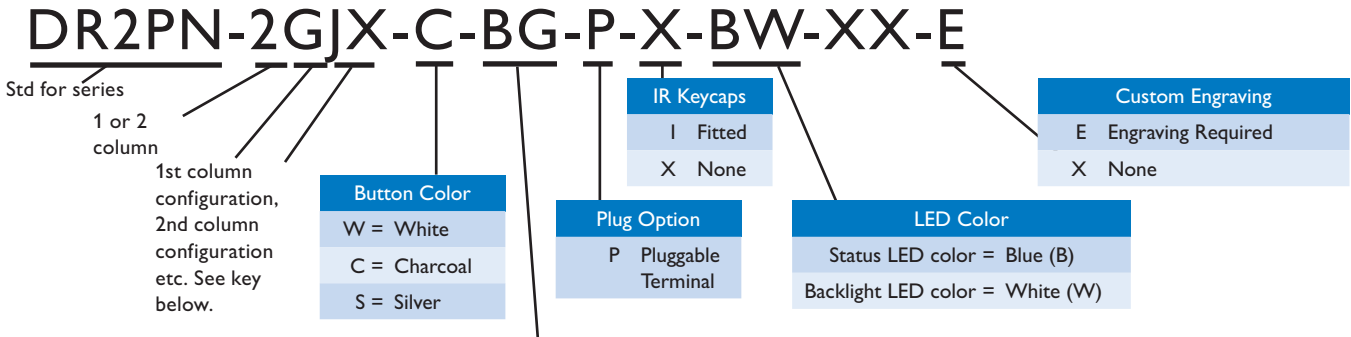


Button column assemblies and covers snap-on, enabling changes to be easily accommodated.

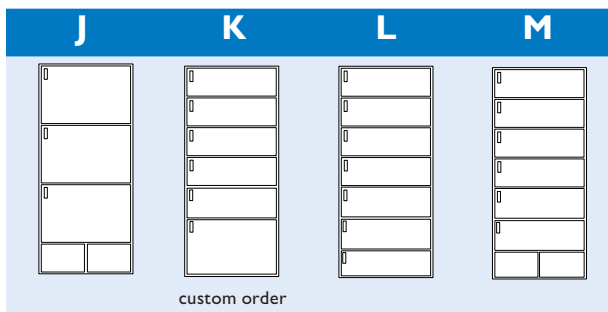
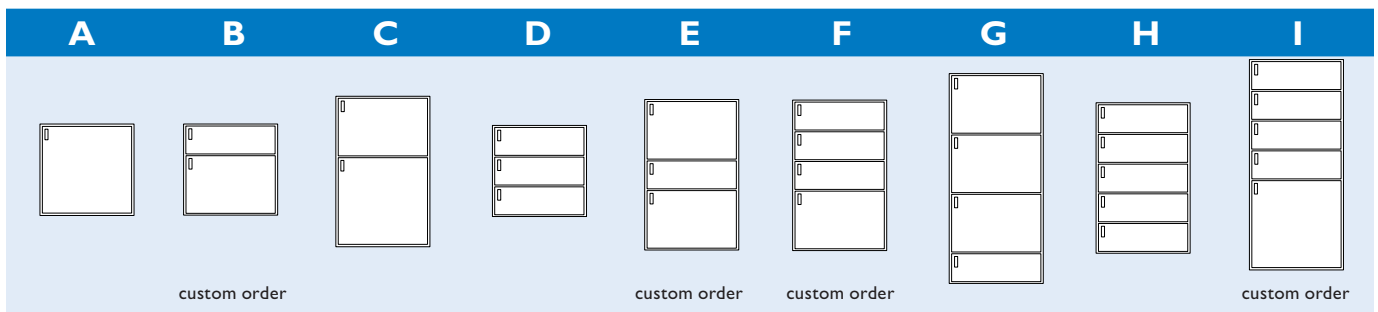
Job Information Type:

Ordering information

Detailed below are the DR2P configuration option product codes. Use these codes to specify your requirements.



Cover Finish			
Standard finish:		Custom order:	
CG	White Optically Clear Glass	AB	Antique Bronze
BG	Black Borosilicate Glass	MS	Mirrored Stainless Steel
SS	Brushed Stainless Steel	PB	Polished Brass (gold plated polished stainless)
		WG	White Borosilicate Glass
		XG	Clear Glass (no paint)
		XX	No Fascia (standard keycap height)
		XY	No Fascia (tall keycap height)
		WE	White (powder coated stainless)



Philips Lighting Controls
 e: controls.support@philips.com
 t: 1-800-526-2731
 w: www.lightolier.com

DR2PN September 15, 2010

Specifications are subject to change without notice.
 © Koninklijke Philips Electronics N.V., 2010. All rights reserved.

Job Information Type: