

# DR2P-NA

## User Control Panels

Philips DR2PE series user control panels incorporate a revolutionary clip-on cover fastening system which provides the ultimate in aesthetic design flexibility. DR2PE series panels are available in a range of configurations including single column, which provides arrangements of one to eight buttons, and double or triple column designs for up to twenty four buttons. Smooth action buttons with LED indicators provide both tactile and visual feedback and are easily removed for engraving, further assisting the identification of button function. Button backlighting is also provided to illuminate engraved text, improving night time panel location and operation. Infrared (IR) receive capabilities have been integrated, eliminating the need for separate sensors where IR remote control operation is required.

### Technical Data



#### Supply

24VDC 20-60mA from the DyNet network (dependent on button count & backlight usage)

#### Control Inputs

1 x RS485 DyNet serial port

#### Front Cover Finishes

Standard: Brushed stainless steel, white glass, black glass. An extensive designer range of cover finishes is also available.

#### Button Colors

Charcoal grey, white or silver

#### LED Indicators

Status indicator - Blue  
Button backlighting - White

#### Compliance

FCC, RoHS Compliant

#### Operating Environment

22° to 122°F (0° to 50°C) ambient temp  
0% to 95% RH non condensing

#### Construction

Bezel, key carrier and grid plate - polycarbonate  
Standard Covers - Stainless steel, glass

#### Weight

Packed weight 0.5 lbs

### Cover Finishes

The Philips Dynalite DR2P Revolution series user control panels include an extensive designer range of cover and button cap color accessories. Available cover finishes include brushed stainless steel, white glass and black glass as standard, and can encompass any finish imaginable; wood grain, processed stone, laminate, fabric. To complement these finishes, button caps are available in silver, white and charcoal grey, providing a wide range of décor matching possibilities. A dedicated IR receive switch cap is also available.



White Borosilicate Glass,  
Charcoal Buttons



Black Borosilicate Glass,  
Charcoal Buttons



Brushed Stainless Steel,  
Charcoal Buttons



White Powder Coat,  
Charcoal Buttons



Mirrored Stainless Steel,  
White Buttons



Polished Brass,  
White Buttons



Antique Bronze,  
Silver Buttons



White Optically Clear Glass,  
Silver Buttons

# DR2P-NA

## User Control Panels

### Compatibility

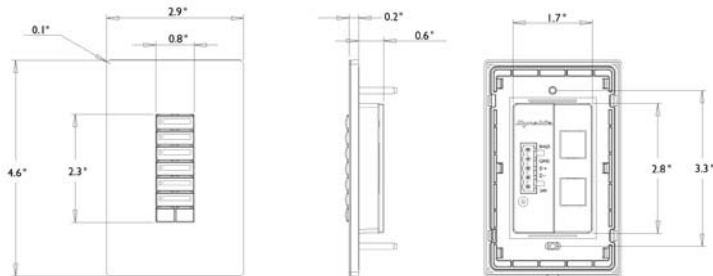
Capability identifies the functionality of the control panels. DR2P-NA are supplied with '9 Series Configurable' capability. The 9 series configurable panel is used in any situation where extended functionality is required. The power in the 9 series comes from the capability to run sequential and conditional logic routines. 9 series panels are used in demanding such as;

- When describing lighting control functions using the words 'if' and/or 'then'
- Complex joining of multi-partitioned rooms
- Controlling light scenes in multiple areas
- Interfacing third party devices to a DyNet network (multi-function input interface)
- In conjunction with smart faders
- Controlling chase sequences
- Infrared input

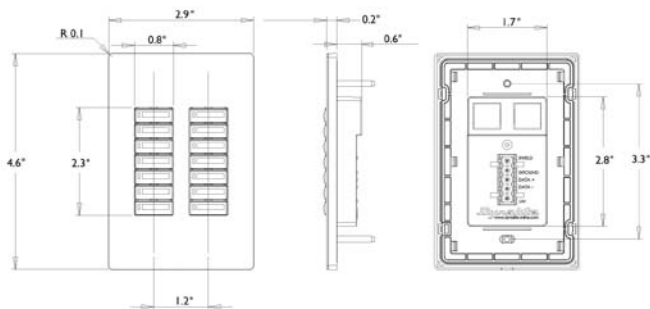
### Features at a Glance

9 Series Configurable	<ul style="list-style-type: none"> <li>• Custom script</li> <li>• Macros</li> <li>• Multiple DyNet messages</li> <li>• Conditional Logic</li> </ul>	One Touch	Preset	Program	Preset Up/Down	IR Input	RS485 Connection
		On/Off Toggle	Panic	Multi-function input interface	Join (multiple rooms)		

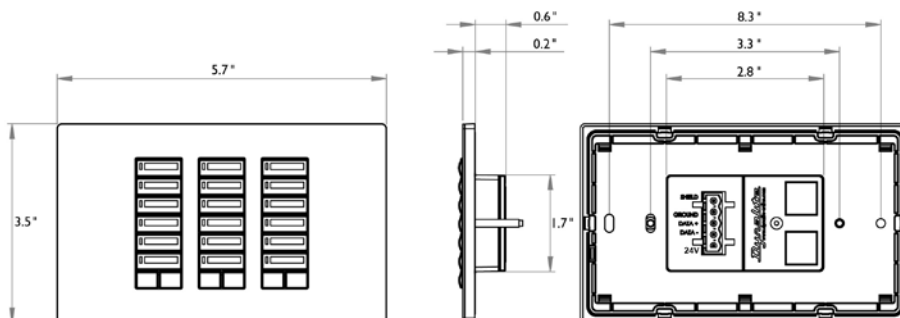
### Dimensions



Mounts in I-Gang Masonry or other "Squared" opening Back Box (by others)



Mounts in I-Gang Masonry or other "Squared" opening Back Box (by others)



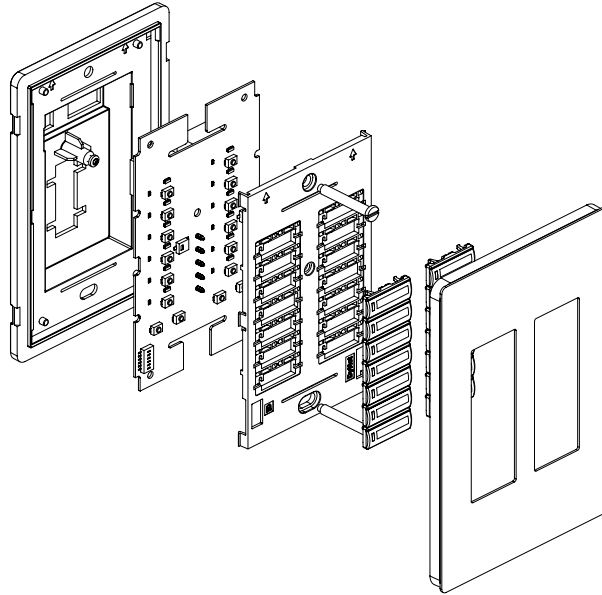
Planned (future version)

# DR2P-NA

## User Control Panels

### Snap-On Finishes

User requirements can shift over time and necessitate change to, or additions of, buttons on an existing panel. Button column assemblies and covers snap-on, enabling changes to be easily accommodated, without the need for any special tools or extra wiring.



Button column assemblies and covers snap-on, enabling changes to be easily accommodated.

# DR2P-NA

## User Control Panels

### Ordering Information

Detailed below are the DR2P configuration option product codes. Use these codes to specify your requirements.

## DR2P9-2KM-C-BG-PT-I-BL-E

Std for series  
1, 2 or 3  
column

1st column  
configuration,  
2nd column  
configuration  
etc. See key  
below.

Button Color	
W=	White
C=	Charcoal
S=	Silver

Plug Option	
PT	Pluggable Terminal
RJ	RJ Sockets

IR Keycaps	
I	Fitted
X	None

LED Color	
BL	Blue
GL	Green
RL	Red

Custom Engraving	
E	Engraving Required
X	None

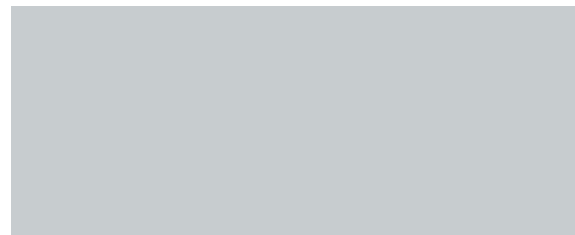
Cover Finish	
AB	Antique Bronze
BG	Black Borosilicate Glass
CG	White Optically Clear Glass
MS	Mirrored Stainless Steel
PB	Polished Brass (gold plated polished stainless)
SS	Brushed Stainless Steel
WE	White (powder coated stainless)
WG	White Borosilicate Glass
XG	Clear Glass (no paint)
XX	No Fascia (standard keycap height)
XY	No Fascia (tall keycap height)

A	B	C	D	E	F	G	H	I
J	K	L	M	S	T	Y	Z	
						Y = No keycap assembly, 7 switches fitted	Z = No keycap assembly, 8 switches fitted	



e: controls.support@philips.com  
t: 1-800-526-2731  
w: lightolier.com

For further information contact:



DR2P-NA Rev I February 13, 2010

Specifications are preliminary and subject to change prior to commercial release. Regulatory compliance pending. © Philips Dynalite. Unit 6, 691 Gardeners Road Mascot 2020 Australia. ABN 97 095 929 829. All rights reserved. Dynalite, DyNet and associated logos are the registered trademarks of Philips Dynalite. Not to be reproduced without permission.