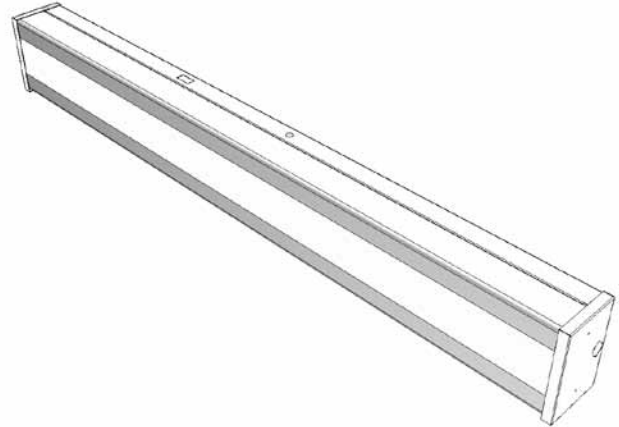
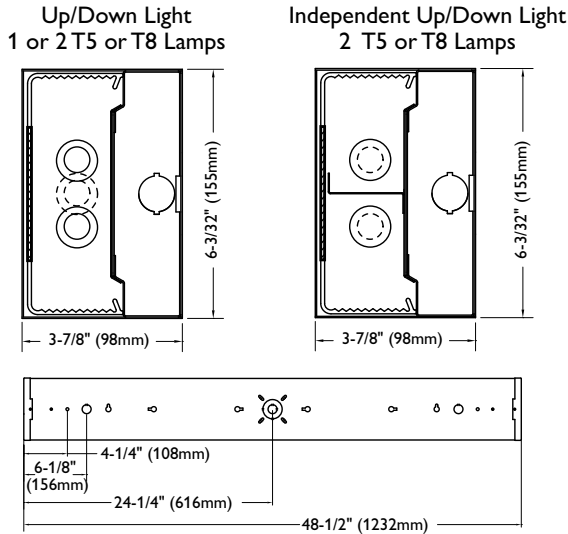


Wall Mounted Fluorescent, T5 or T8



Ordering Information

DormLyte	Fixture Length	Divider	Lamp Qty.	Lamps (by others)	Voltage	Ballast Type	Options
DM Wall Mount Fluorescent	4 = 48" (Nominal Size)	X = Up/Down Light R = Independent Up or Down Light (2 Lamp Only)	1 = 1 Lamp 2 = 2 Lamps	28 = T5 4' Length 32 = T8 4' Length 54 = T5HO 4' Length	120 = 120v 277 = 277v UNV = 120/277v	1 or 2 Lamp Elec. T8 1 or 2 Lamp Elec. T8 1 or 2 Lamp Elec. T5 LOL Dimming T5 LOL Dimming T8 *Instant Start Standard ‡Program Rapid Start (UNV only) NOTE: For T8 UNV, you must use HI Ballast Code.	Add appropriate suffix to catalog no., i.e.: (C) <20THD <10THD HI* P2‡ PG‡ PF PS

Features

- For dorms, nursing homes, assisted living, health care facilities, or other over bed or wall mounted applications.
- Up and downlight, 1 or 2 lamp.
- Separate lamp compartments for controlled uplight and downlight.
- 1/8" thick DR acrylic lens.
- Unique co-extrusion lens.
 - White opaque center.
 - Frosted white front sections for subtle glow.
 - Linear prisms to spread up/downlight.
- Only 3-7/8" deep, meets American With Disabilities Act for wall mounted fixtures.
- Concealed pull-action spring-loaded latches to retain lens.
- 20 gauge cold rolled steel post painted baked white enamel end caps.
- Four-way pull switch, (120 volt only) optional.
- Optional low voltage electronic sequential switch for push button control of up/down lighting. UL 544 listed. Includes phone jack type receptacle

Job Information	Type:
Job Name:	
Cat. No.:	
Notes:	

Wall Mounted Fluorescent, T5 or T8

Specifications

Materials: Chassis Parts—Die-formed code gauge cold rolled steel. **End Caps**—20 gauge cold rolled steel.

Finish: Chassis Exterior—Post painted white baked acrylic enamel. **End Caps**—Post painted baked white enamel. Rust preventative undercoating.

Refractor: 1/8" thick DR acrylic, unique co-extrusion, white opaque center, linear prisms to spread up/down light.

Electrical: Thermally protected class "P" ballast C.B.M. approved, non PCB. If K.O. is within 3" of ballast, use wire suitable for at least 90°.

Labels: I.B.E.W./UL and ULc listed. UL listed for damp locations

This product may have a mercury containing lamp. Manage in accord with Disposal Laws. See: www.lamprecycle.org

Options & Accessories

Fusing: Internal fast blow fusing: Suffix: **A**.
Internal slow blow fusing: Suffix: **C**.

Radio Interference Filter: 120 or 277 volt, 50 or 60 Hz. One per fixture standard. Suffix: **R**. One per ballast. Suffix: **B**.

Electronic (Low Voltage) Sequential Switch: Switch is factory mounted for Up and Down Light operation from pillow switch. Includes phone jack type receptacle. Suffix: **SW**.

Momentary Button Cordset: Traditional "Winged" Pendant design ESD protection to 15,000 volts. Heavy duty 7' cable with phone plug and security clip.
Consult factory: Part number **7800W-7 CSP**. (Button Cordset can only be used with SW Sequential Switch option)

4-Way Pull Switch: Suffix: **4P**.

Electrical Wiring Options: Consult factory.

Job Information	Type:
------------------------	--------------

PHILIPS

LIGHTOLIER

Wall Mounted Fluorescent, T5 or T8

Photometry

Model No. DM4X232UNVHI

LER = 59.1 IW = 53.1 BF = 0.88
 Comparative yearly lighting energy cost per
 1000 lumens = \$4.10

Report Number: G2010300

Catalog Number: DM4X232UNVHI

Lamps: (2) F032T8

Luminaire: DormLyte Wall Mounted
 4' luminaire

Ballast: ICN-2P32-SC Advance

Report is based on 2950 lumens per lamp.

Efficiency: 60.4%

CIE Type: Direct/Indirect

Plane: 0-Deg. 90-Deg.

Spacing Criteria: 1.9 1.1

Shielding Angles: 90 90

Plane: 0-Deg. 90-Deg.

Luminous Length: 2.400 48.000

Candela Distribution

Vertical Angle	Horizontal Angle			Zonal Lumens
	0	45	90	
0	465	465	465	
5	479	455	455	44
15	531	425	420	126
25	581	375	368	190
35	615	311	301	237
45	630	241	228	261
55	623	168	153	254
65	589	108	95	235
75	548	55	48	203
85	504	14	10	172
90	496	12	0	
95	514	32	13	184
105	558	77	55	223
115	598	132	107	257
125	623	195	170	278
135	630	261	237	278
145	615	326	304	252
155	581	384	365	201
165	531	425	412	128
175	470	446	442	43
180	448	448	448	

Coefficients of Utilization

Ceiling	80%			50%			30%		
	70	50	30	50	30	10	50	30	10
Wall									
RC	Zonal Cavity Method								
RW	Effective Floor Reflectance = 20%								
1	58	54	52	42	40	38	34	33	32
2	52	47	43	36	33	31	29	27	25
3	47	41	36	31	28	25	26	23	21
4	43	36	31	28	24	21	23	20	18
5	39	32	27	25	21	18	20	17	15
6	36	28	23	22	18	16	18	15	13
7	33	26	21	20	16	14	16	14	12
8	31	23	18	18	15	12	15	12	10
9	29	21	16	17	13	11	14	11	9
10	27	19	15	15	12	10	13	10	8

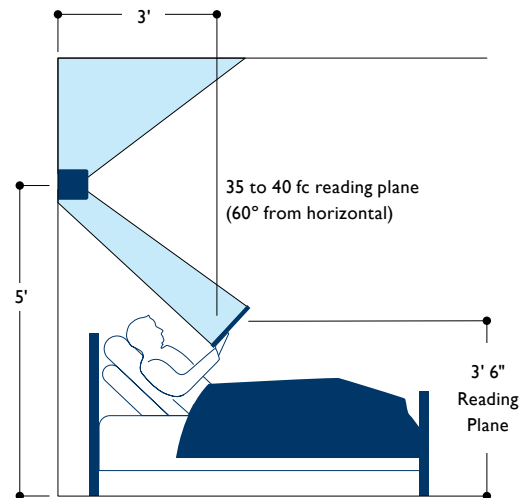
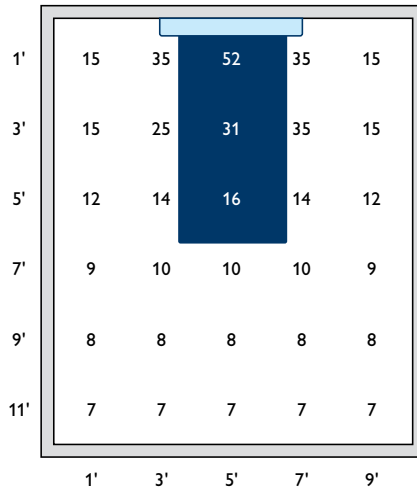
Zonal Lumen Summary

Zone	Lumens	% Lamp	% Fixt.
0-30	359	6.1	10.1
0-40	596	10.1	16.7
0-60	1112	18.8	31.2
0-90	1723	29.2	48.3
90-120	664	11.3	18.6
90-130	942	16	26.4
90-150	1472	25	41.3
90-180	1843	31.2	51.7
0-180	3566	60.4	100

Average Luminance data in candela / sq. meter

Angle	0°	45°	90°
45	3424	4075	1239
55	3196	3343	785
65	2947	2711	475
75	2757	1949	241
85	2630	890	52

Room Size:	12' x 10' x 8' ceiling
Reflectance:	80-50-20 0.80LLF
Reading Area:	35-40 sq. feet



Philips Lightolier
 e: lol.webmaster@philips.com
 t: (508) 679-8131, Technical info. (978) 657-7600
 w: www.lightolier.com

DormLyte Series July 28, 2011

Specifications are subject to change without notice.
 © Koninklijke Philips Electronics N.V., 2011. All rights reserved.

Job Information Type: