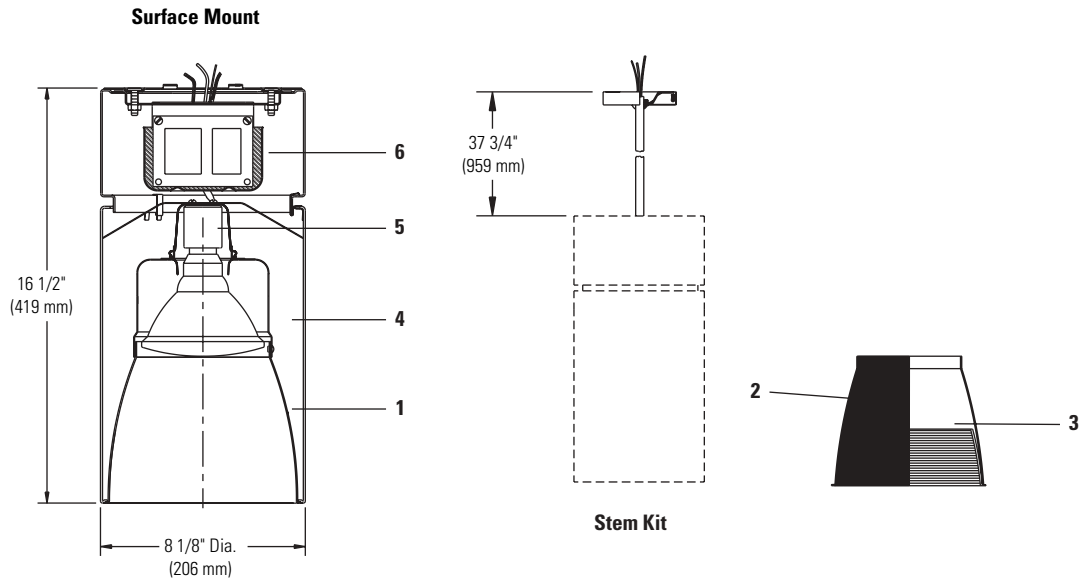


Calculite® H.I.D. Surface Cylinder **DL7C/CS8V**



Reflector Trim	Cylinder Housing Kit	Lamp
DL7CCL DL7CBK DL7CMG	CS8V70HG	70W PAR38 Metal Halide
Specular Clear Specular Black Alzak® Black Multigroove		

Features

- Reflector:** 16 ga. Specular Alzak® aluminum, (with UV resistant, non-fading finish), 45° visual cutoff to lamp and lamp image.
- Black Cone:** Specular black Alzak® aluminum (with UV resistant, non-fading finish). Permanently fastened to specular clear reflector.
- Multi-Groove Baffle:** One piece seamless aluminum, sharply detailed concentric rings, black finish. Permanently fastened to specular clear reflector.
- Housing Cylinder:** White seamless aluminum with groove designed to minimize visual appearance while providing adequate ventilation to maximize light output and lamp life. Returned edge precisely seats reflector without visible hardware. Painted white finish.
- Socket:** Medium base pulse rated porcelain socket with nickel plated screw shell.
- Magnetic Ballast:** Triple tap 120/277/347V, high power factor, encased and filled with a special thermally conductive insulation material.

Options and Accessories

Wall Mount: Consult Factory

Stem Kit: FACSA36 Provided with 1/2" dia. Stem and 4 1/2" dia. Canopy. Self-aligning swivel provides max. 40° vertical tilting. Installs over 4" octagonal outlet box. Stem can be cut to length on site. Matte white finish.

Electrical

UL listed for supply conductors. Cylinders are suitable for 40°C high ambient application.

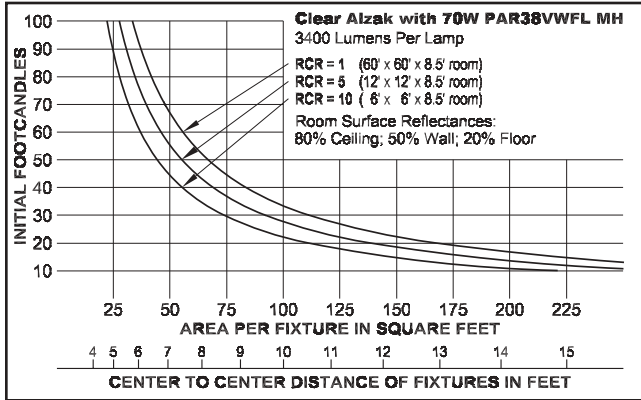
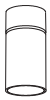
Ballast	Voltage	ANSI Code	Input Watts	Max. Amps.
70W MH	120V	M98	95	1.90
70W MH	277V	M98	95	0.85
70W MH	347V	M98	95	0.65

Labels

UL listed for damp locations, I.B.E.W.

Alzak® is a registered trademark of ALCOA.

Job Information	Type:
Job Name:	
Cat. No.:	
Lamp(s):	
Notes:	



Use quick calculator chart to determine spacing of luminaires for desired level of illumination.
 Conversion Factors: Black, F.C. x 0.8.

SPACING RATIO = 0.8

CERTIFIED TEST REPORT NO. 1275FR
 COMPUTED BY LSI PROGRAM **TEST-LITE**
 RECESSED METAL HALIDE OPEN SURFACE CYLINDER DOWNLIGHT
 7 3/8" APERTURE, SPECULAR CLEAR REFLECTOR
 ONE 70W PAR38 VWFL METAL HALIDE LAMP. LUMEN RATING = 3400
 *SYLVANIA OPEN FIXTURE LAMP MP 70 PAR38 / VWFL

CANDLEPOWER SUMMARY

ANGLE	MEAN CP	LUMENS
0	4241	
5	3906	372
10	3525	
15	3333	931
20	2942	
25	2222	1052
30	1704	
35	830	554
40	160	
45	48	51
50	8	
55	4	5
60	4	
65	2	2
70	1	
75	0	1
80	0	
85	0	0
90	0	

ZONAL LUMENS AND PERCENTAGES

ZONE	LUMENS	% LAMP	% LUMINAIRE
0-30	2354	69.24	79.36
0-40	2907	85.52	98.02
0-60	2963	87.16	99.90
0-90	2966	87.25	100.00
40-90	58	1.73	1.98
60-90	3	.09	.10
90-180	0	.00	.00
0-180	2966	87.25	100.00

DATE: DEC. 6, 2000
 PREPARED FOR:
 LIGHTOLIER, FALL RIVER, MA

**EFFICIENCY = 86.7% **

TESTED ACCORDING TO IES PROCEDURES. TEST DISTANCE EXCEEDS FIVE TIMES THE GREATEST LUMINOUS OPENING OF LUMINAIRE.

COEFFICIENTS OF UTILIZATION
 % EFFECTIVE CEILING CAVITY REFLECTANCE

ROOM CAVITY RATIO	% WALL REFLECTANCE																							
	80				70				50				30				10				0			
	50	30	10	0	50	30	10	0	50	30	10	0	50	30	10	0	50	30	10	0				
1	.98	.96	.95	.97	.95	.93	.93	.92	.91	.90	.89	.88	.87	.86	.85	.84								
2	.93	.91	.88	.92	.89	.87	.89	.87	.85	.87	.85	.84	.84	.83	.82	.81								
3	.89	.86	.83	.88	.85	.83	.86	.83	.81	.84	.82	.80	.82	.80	.79	.78								
4	.85	.81	.79	.84	.81	.78	.82	.80	.77	.81	.78	.77	.79	.77	.76	.75								
5	.81	.77	.74	.80	.77	.74	.79	.76	.73	.77	.75	.73	.76	.74	.72	.71								
6	.78	.74	.71	.77	.73	.71	.76	.73	.70	.75	.72	.70	.74	.71	.69	.68								
7	.74	.70	.67	.74	.70	.67	.73	.69	.67	.72	.69	.66	.71	.68	.66	.65								
8	.71	.67	.67	.70	.67	.64	.70	.66	.64	.69	.66	.63	.68	.65	.63	.62								
9	.68	.64	.61	.67	.64	.61	.67	.63	.61	.66	.63	.60	.65	.62	.60	.59								
10	.65	.61	.58	.65	.61	.58	.64	.60	.58	.63	.60	.58	.63	.60	.57	.57								

20% EFFECTIVE FLOOR CAVITY REFLECTANCE

Conversion Factors: 70W Metal Halide: BLACK, C.U. X 0.8.

Job Information **Type:**

Lightolier a Genlyte Thomas Company www.lightolier.com
 631 Airport Road, Fall River, MA 02720 • (508) 679-8131 • Fax (508) 674-4710
 We reserve the right to change details of design, materials and finish.
 © 2002 Genlyte Thomas Group LLC (Lightolier Division) • A0902

