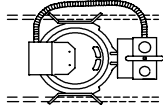
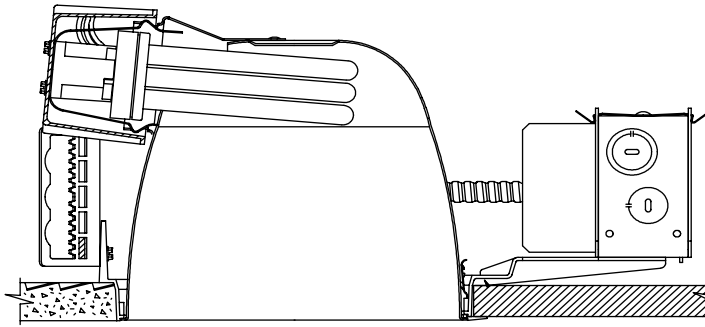




Calculite® CFL Downlighting **Dim-Advance**



8037CL/7142BJUM7



Frame-In Kit			Reflector Trim Series									
Apert. Dia	Lamp	Cat. No.	Vert. Down-light	Vert. Wall Washer	Horiz. Down 55°	Horiz. Down 50°	Horiz. Wall Washer	Lens Wall Wash.	Lens Down-light	Cross Baffle Down.	Cross Blade Down.	Turbo Baffle Down.
Triple Tube												
6"	1-26/32W	6132BJUM7	8021	8021WW	8031	-	8081	8046	8091	-	8091CB	-
7 3/8"	1-26/32W	7132BJUM7	8022	8022WW	8037	-	8087	8047	8097	-	8097CB	8037TB
	1-42W	7142BJUM7	8022	8022WW	8037	-	8087	8047	8097	-	8097CB	8037TB
8 3/4"	1-42W	8142HJUM7	8023	-	-	-	-	-	-	-	-	-
	2-2/26/32/42W	8242HJUM7	-	-	8038	8039	8089	-	-	8069	-	8038TB
Quad Tube												
7 3/8"	2-26W	7226HJUM7	-	-	8056	-	8086	8044	8096	-	8096CB	8056CB
8 3/4"	2-26W	8226LPJUM7	-	-	-	-	-	-	-	8068	-	-
Cylinder Housing Kit			Reflector Trim Series									
Triple Tube (Semi-Recessed)												
8 3/4"	2-26/32/42W	SR8242JUM7	-	-	8038	8039	-	-	-	8069	-	8038TB
Quad Tube (Surface Mount)												
8 3/4"	2-26W	CS8226LPJUM7	-	-	-	-	-	-	-	8068	-	-

Notes: 1. For more information on Frame-In Kits and Reflector Trims, see separate specification sheets.
 2. Consult factory for other surface (CS8) and wall cylinders (CW8) for availability.

4-Pin Triple Tube Lamps

Lamp	General Electric	Sylvania	Philips
26W	F26TBX / * / A / 4P	CF26DT / E / IN / *	PL-T26W / * / 4P
32W	F32TBX / * / A / 4P	CF32DT / E / IN / *	PL-T32W / * / 4P
42W	F42TBX / * / A / 4P	CF42DT / E / IN / *	PL-T42W / * / 4P

*Specify lamp color as desired.

4-Pin Quad Tube Lamps

Lamp	General Electric	Sylvania	Philips
26W	F26DBX / * / 4P	CF26DD / E / *	PL-C26W / * / 4P

*Specify lamp color as desired.

Options & Accessories (Frame-In Kits Only)

Advance Mark X	Consult Factory
Emergency Lighting	Add suffix EM to Frame-In Kit.
Chicago Plenum	Add suffix LC to Frame-In Kit.
Existing Ceiling Clips	7998 - Set of (2)
Existing/Thk. Ceiling	FAEC6 (6"), FAEC7 (7 3/8")
Fuse (Slow Blow)	Add suffix F
Mounting Bars	1950 - 18" set of (2) 1951 - 27" set of (2)
T-bar Anchor Clips	1956 - set of (4) for use with mounting bars above
Wood Joist Mtg. Bars	7994 - Set of (2)
Sloped Ceiling Adapter	See spec. sheet SCA.
Decorative Attachments	See separate catalog for product information

Ballast Warranty

Ballast is covered by ballast manufacturer's limited warranty.

Mark VII® is a registered trademark of Advance Transformer Company.

Job Information	Type:
Job Name:	
Cat. No.:	
Lamp(s):	
Notes:	

Lightolier a Genlyte Thomas Company www.lightolier.com
 631 Airport Road, Fall River, MA 02720 • (508) 679-8131 • Fax (508) 674-4710
 We reserve the right to change details of design, materials and finish.
 © 2002 Genlyte Thomas Group LLC (Lightolier Division) • A0902

LIGHTOLIER®



Calculite® CFL Downlighting **Dim-Advance**

Advance Mark VII® Ballast Specifications

Input Voltage: 120 through 277V AC, 50/60 Hz.

Dimming Range: 100% to 5%; low dim varies with ambient and lamp temperature.

Starting Circuit: Programmed-start to prolong lamp life; turns on the lamps to any intensity.

Ballast Factor (Full): 100%

Power Factor (Full and Low Dim): 95% to 98%

Lamp CCF: <1.6

THD (Full): <10% for 32/42W Triple & 2 -26W Quad; <14% for 1-26W Quad & Triple.

End-Of-Life Detection: Shuts down when sensing lamp failure; Protects against improper EOL condition. Defaults to ON after proper lamping.

Open and Short Circuit Protection: Yes

ANSI Operation: Yes

FCC Part 18.5J: Yes

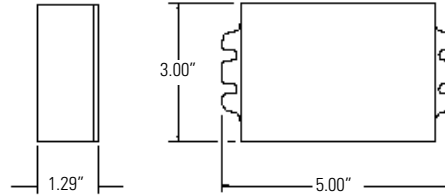
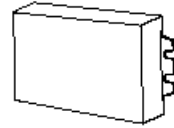
Surge Test: Yes

No PCBs

Sound Rating: A

Minimum Starting Temperature: 10°C (50°F)

UL & CSA Listed: Yes, Class P and Type 1 Outdoor.



Wiring: 2-wire line voltage; 2-wire low voltage (0-10V) for dimming
 Note: Ballast information provided here is accurate at time of this release. Information subject to change without notice. Please consult Advance for latest information.

Electrical Data (4-Pin T4 Triple Tube Lamps)

Triple Lamp	Lamp Base	Input Wattage		Line Current (Amp.)	
		120V	277V	120V	277V
1-26W	GX24q-3	29	29	0.25	0.11
1-32W	GX24q-3	39	39	0.33	0.14
1-42W	GX24q-4	50	50	0.42	0.18
2-26W†	GX24q-3	58	58	0.50	0.22
2-32W†	GX24q-3	78	78	0.66	0.28
2-42W†	GX24q-4	100	100	0.84	0.36

† Two 1-light ballasts are used in 2-26/32/42W fixtures.

Electrical Data (4-Pin T4 Quad Tube Lamps)

Quad Lamp	Lamp Base	Input Wattage		Line Current (Amp.)	
		120V	277V	120V	277V
1-26W	G24q-3	29	29	0.25	0.11
2-26W	G24q-3	57	57	0.48	0.21

Compatible Lightolier Dimming Control

Product	Catalog**	Voltage	Wattage
Sunrise (preset slider)	ZP600FAM120	120V	600VA
Momentum (preset slider)	MP1500FAM120	120V	1500VA
Vega (slider)	V2000FAMU	120/277V	2000VA
Lytemode	LM22400FAM	120V	(2) 2400VA
	LM22400FAM32	120V	(2) 2400VA
	LM24000FAM	277V	(2) 4000VA

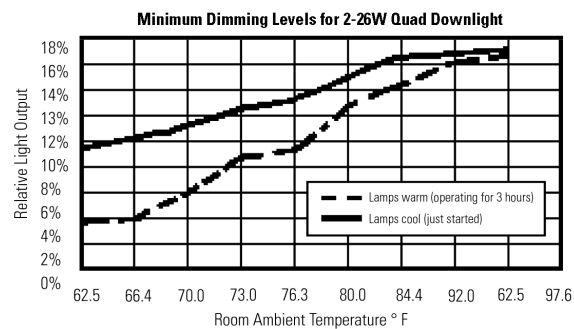
** Specify color suffix. See Lightolier Control Catalog for additional information.

For Technical/Sales Assistance, please contact Lightolier Controls at 800-526-2731; or website at www.lolcontrols.com. For luminaires, visit www.lightolier.com.

Dimming Performance

Advance Mark VII® dimming is available with Calculite compact fluorescent. Advance Mark VII® will start from any preset dimmed level and can be controlled from a variety of Lightolier controls.

Temperature, both of the lamp and the environment significantly affects the dimmed performance of compact fluorescent lamps. Warm lamps (those operating for several hours in a warm room) will be brighter at low dim than cold lamps (those just started in an empty air conditioned space). In some cases, the practical dimming range may not reach to low dim. Lamp color also shifts as the lamps dim (opposite of the warming that occurs when dimming incandescent). New lamps must be seasoned at full light output of 100 hours before dimming.



Job Information **Type:**

Lightolier a Genlyte Thomas Company www.lightolier.com
 631 Airport Road, Fall River, MA 02720 • (508) 679-8131 • Fax (508) 674-4710
 We reserve the right to change details of design, materials and finish.
 © 2002 Genlyte Thomas Group LLC (Lightolier Division) • A0902

LIGHTOLIER®