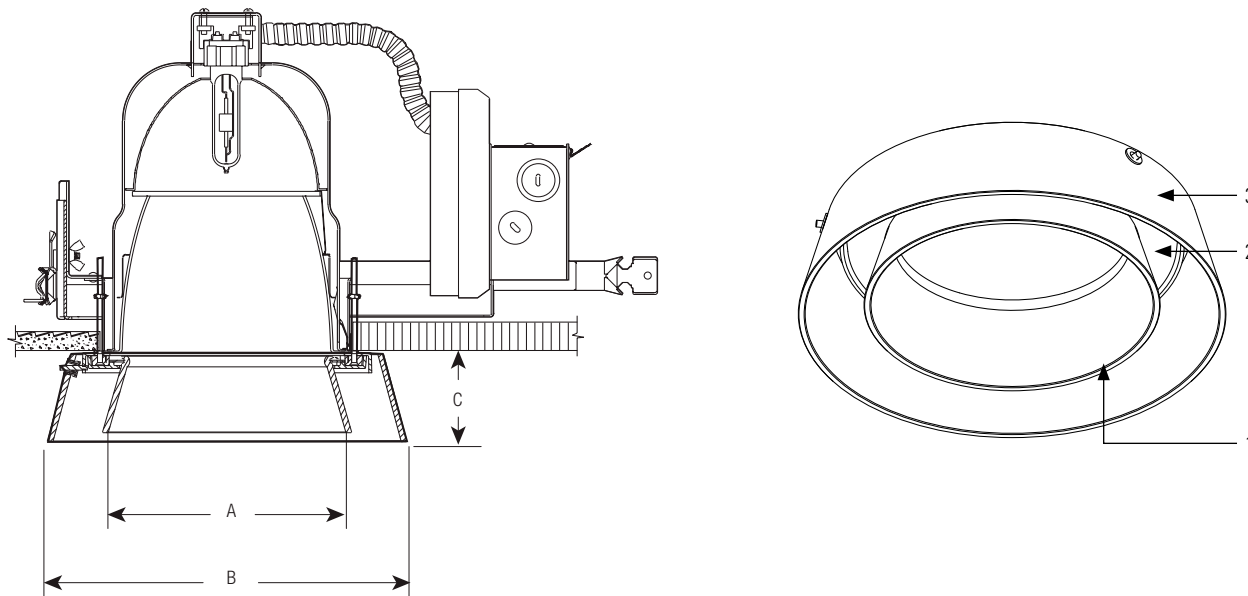


# Architectural Decorative Vetro Downlight **DA13**



**3 Piece Ordering System:** Complete Fixture consists of Decorative Element, Trim-Kit, and Frame-In Kit. Each sold separately.  
**Example:** D4A01 + C4T4VWCL + C420T4E1

Aperture	Decorative Element	Lamp	Trim	Frame	D4A13 Dimensions		
					A	B	C
4"	D4A13	T4 20W, 39W	C4T4HWCL C4T4VWCL C4T4VNCL C4T4VMCL	C420T4E1, C420T4E2, C420T4EU	5 1/8"	8 1/2"	2 1/4"
		PAR20 39W	C4P20MHCL	C439P20E1, C439P20E2	5 1/8"	8 1/2"	2 1/4"
6"	D6A13	T6 39W	C6T6VWCL C6T6VNCL C6T6VMCL	C639T6E1, C639T6E2	6 5/8"	10"	2 1/2"
		PAR30 39W	C6P30MHCL	C639MHE1, C639MHE2, C639MHU	6 5/8"	10"	2 1/2"

## Features

- Decorative Element:** Solid high temp, UV resistant composite with open aperture. Interior diameter is frosted. Polished exterior.
- Aluminum Insert:** Satin Aluminum ring is mechanically inserted in composite to create drama and intrigue in the element.
- Die Cast Ring:** Exterior edge of construction ring is visible, satin aluminum finish matches diameter of decorative element for a flangeless appearance.
- Integral Reflector:** 16 ga. aluminum, 50° visual cutoff to lamp and lamp image. Decorative Element is mechanically attached to reflector via die cast ring. Reflector is specular clear for best performance and aesthetics.
- Cover Glass:** 3" Evolution contains high temperature soft focus lens. 4" Evolution contains high temperature perimeter frost.
- Trim Kit:** For 3" and 4" Evolution, trim kit, reflector and decorative element ship complete.
- Frame-In Kit:** Specified separately. See Trim Specification Sheet for additional details.

## Mechanical

Decorative element is mechanically secured to the die cast construction ring and the integral reflector from the factory.

## Labels

U.L. (Damp Location)

Job Information	Type:
<b>Job Name:</b>	
<b>Cat. No.:</b>	
<b>Lamp(s):</b>	
<b>Notes:</b>	