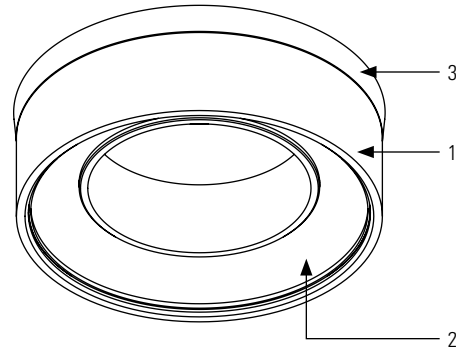
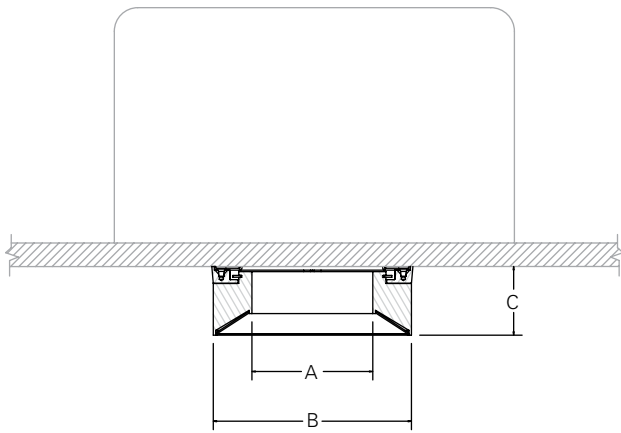


Architectural Decorative Vetro Downlight **DA01**



Complete Fixture consists of Decorative Element/Trim-Kit + Frame-In Kit. Each sold separately.
2 Piece Ordering System, Example: D3MR01 + C3LV

Decorative Element/Trim Kit Catalog No.	Frame-In Kit	Lamping	Dimensions		
			A	B	C
3" Evolution D3MR01	C3LV; C3AICLV; C3ALV; C3LVE1; C3LVE2; C3ALVE1; C3AICLVE1	50W MR16	2 5/8"	4 1/4"	1 1/2"
4" Evolution D4MR01	C4LV; C4ALV; C4AICLV	50W MR16	3 1/2"	5 5/8"	1 3/4"

Features

- Decorative Element:** Solid high temp, UV resistant composite with open aperture. Interior diameter is frosted. Polished exterior.
- Aluminum Insert:** Satin Aluminum ring is mechanically inserted in composite to create drama and intrigue in the element.
- Die Cast Ring:** Exterior edge of construction ring is visible, satin aluminum finish matches diameter of decorative element for a flangeless appearance.
- Integral Reflector:** 16 ga. aluminum, 50° visual cutoff to lamp and lamp image. Decorative Element is mechanically attached to reflector via die cast ring. Reflector is specular clear for best performance and aesthetics.
- Cover Glass:** 3" Evolution contains high temperature soft focus lens. 4" Evolution contains high temperature perimeter frost.
- Trim Kit:** For 3" and 4" Evolution, trim kit, reflector and decorative element ship complete.
- Frame-In Kit:** Specified separately. See Frame-In Kit Specification Sheet for details.

Mechanical

Decorative element is mechanically secured to the die cast construction ring and the integral reflector from the factory.

Labels

cULus (Damp Location)

Job Information

Type:

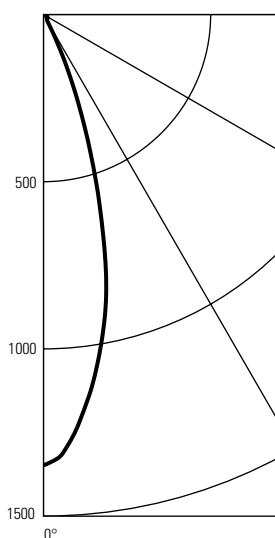
Job Name:

Cat. No.:

Lamp(s):

Notes:

D3MR01-NFL



Calculate 3" Dia. Vetro Downlight, Cat.# C3MRDCLW/D3MR01
50W G.E. MR16 NFL (25 deg.) Lamp.
Lumen Rating = 800 LMS. Lightech XFMR LET-75

Candlepower Summary

Angle	Mean CP	Lumens
0	1348	
5	1225	114
10	997	
15	694	195
20	364	
25	129	75
30	27	
35	19	13
40	17	
45	16	13
50	15	
55	14	13
60	13	
65	12	12
70	10	
75	10	10
80	9	
85	9	10
90	9	

Tested According to IES Procedures. Test Distance Exceeds Five Times the Greatest Luminous Opening of Luminaire.

Coefficients of Utilization

Ceiling	80%				70%				50%				30%				10%			
	70	50	30	10	70	50	30	10	50	30	10	50	30	10	50	30	10	50	30	10
Wall	Zonal Cavity Method - Effective Floor Reflectance = 20%																			
RCR	Zonal Cavity Method - Effective Floor Reflectance = 20%																			
0	.68	.68	.68	.68	.66	.66	.66	.66	.63	.63	.63	.60	.60	.60	.58	.58	.58	.58	.58	.58
1	.65	.63	.62	.61	.63	.62	.61	.60	.60	.59	.58	.58	.57	.56	.56	.55	.55	.55	.54	.54
2	.62	.60	.58	.56	.61	.59	.57	.56	.57	.56	.54	.56	.54	.53	.54	.53	.52	.51	.53	.52
3	.60	.57	.55	.53	.59	.56	.54	.53	.55	.53	.52	.54	.52	.51	.53	.52	.50	.50	.50	.50
4	.58	.55	.53	.51	.58	.55	.52	.50	.53	.51	.50	.52	.51	.49	.51	.50	.49	.48	.48	.48
5	.57	.53	.50	.49	.56	.53	.50	.48	.52	.50	.48	.51	.49	.48	.50	.49	.47	.47	.47	.47
6	.55	.51	.49	.47	.54	.51	.49	.47	.50	.48	.47	.50	.48	.46	.49	.47	.46	.46	.46	.46
7	.53	.50	.47	.46	.53	.49	.47	.45	.49	.47	.45	.48	.46	.45	.48	.46	.45	.44	.44	.44
8	.52	.48	.46	.44	.52	.48	.46	.44	.47	.45	.44	.47	.45	.44	.47	.45	.44	.43	.43	.43
9	.51	.47	.45	.43	.50	.47	.45	.43	.46	.44	.43	.46	.44	.43	.46	.44	.43	.42	.42	.42
10	.50	.46	.44	.42	.49	.46	.44	.42	.45	.43	.42	.45	.43	.42	.45	.43	.42	.41	.41	.41

Determined In Accordance With Current IES Published Procedures
Luminaire Input Watts = 52.0

Zonal Lumens and Percentages

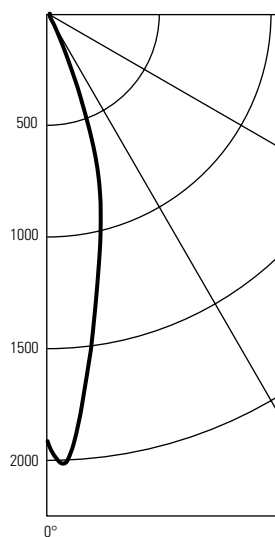
Zone	Lumens	% Lamp	%Luminaire
0-30	384	48.02	84.55
0-40	397	49.63	87.38
0-60	422	52.78	92.92
0-90	454	56.80	100.00
40-90	57	7.17	12.62
60-90	32	4.02	7.08
90-180	0	.00	.00
0-180	454	56.80	100.00

Certified test report no. 3562FR
Computed by LSI program **TEST-LITE**
SC = 0.5

Prepared For:
Lightolier
Fall River, MA

** Efficiency = 56.8% **

D4MR01-NFL



Calculate 4" dia. Vetro Recessed Downlight D4MR01
50W g.E. Mr16 NFL (25 deg.) Lamp. Lumen Rating = 800 Lms.
Lightech XFMR LET-75

Candlepower Summary

Angle	Mean CP	Lumens
0	1914	
5	1761	160
10	1265	
15	918	258
20	533	
25	170	108
30	56	
35	19	17
40	17	
45	16	12
50	15	
55	13	12
60	13	
65	12	12
70	11	
75	10	11
80	10	
85	10	11
90	9	

Tested According to IES Procedures. Test Distance Exceeds Five Times the Greatest Luminous Opening of Luminaire.

Coefficients of Utilization

Ceiling	80%				70%				50%				30%				10%			
	70	50	30	10	70	50	30	10	50	30	10	50	30	10	50	30	10	50	30	10
Wall	Zonal Cavity Method - Effective Floor Reflectance = 20%																			
RCR	Zonal Cavity Method - Effective Floor Reflectance = 20%																			
0	.89	.89	.89	.89	.87	.87	.87	.87	.83	.83	.83	.80	.80	.80	.77	.77	.77	.75	.75	.75
1	.86	.84	.82	.81	.84	.83	.81	.80	.79	.78	.77	.77	.76	.75	.74	.73	.73	.72	.71	.70
2	.83	.80	.78	.75	.81	.79	.76	.75	.76	.74	.73	.74	.73	.71	.72	.71	.70	.69	.68	.67
3	.80	.76	.74	.71	.79	.75	.73	.71	.74	.72	.70	.72	.70	.69	.71	.69	.68	.67	.66	.65
4	.78	.74	.71	.69	.77	.73	.70	.68	.72	.69	.67	.70	.68	.67	.69	.67	.66	.65	.64	.63
5	.76	.71	.68	.66	.75	.71	.68	.66	.69	.67	.65	.68	.66	.64	.67	.65	.64	.63	.62	.62
6	.74	.69	.66	.64	.73	.69	.66	.64	.68	.65	.63	.67	.65	.63	.66	.64	.62	.62	.62	.62
7	.72	.67	.64	.62	.71	.67	.64	.62	.66	.63	.62	.65	.63	.61	.64	.62	.61	.60	.59	.59
8	.70	.65	.62	.60	.69	.65	.62	.60	.64	.62	.60	.64	.61	.60	.63	.61	.59	.59	.58	.57
9	.68	.64	.61	.59	.68	.63	.61	.59	.63	.60	.58	.62	.60	.58	.62	.60	.58	.57	.57	.57
10	.67	.62	.59	.57	.66	.62	.59	.57	.61	.59	.57	.61	.59	.57	.61	.58	.57	.56	.56	.56

Determined In Accordance With Current IES Published Procedures
Luminaire Input Watts = 52.0

Zonal Lumens and Percentages

Zone	Lumens	% Lamp	%Luminaire
0-30	525	65.64	87.50
0-40	542	67.81	90.38
0-60	566	70.87	94.46
0-90	600	75.02	100.00
40-90	57	7.22	9.62
60-90	33	4.16	5.54
90-180	0	.00	.00
0-180	600	75.02	100.00

Certified test report no. 3598FR
Computed by LSI program **TEST-LITE**
SC = 0.5

Prepared For:
Lightolier
Fall River, MA

** Efficiency = 75.0% **

Job Information	Type:
------------------------	--------------