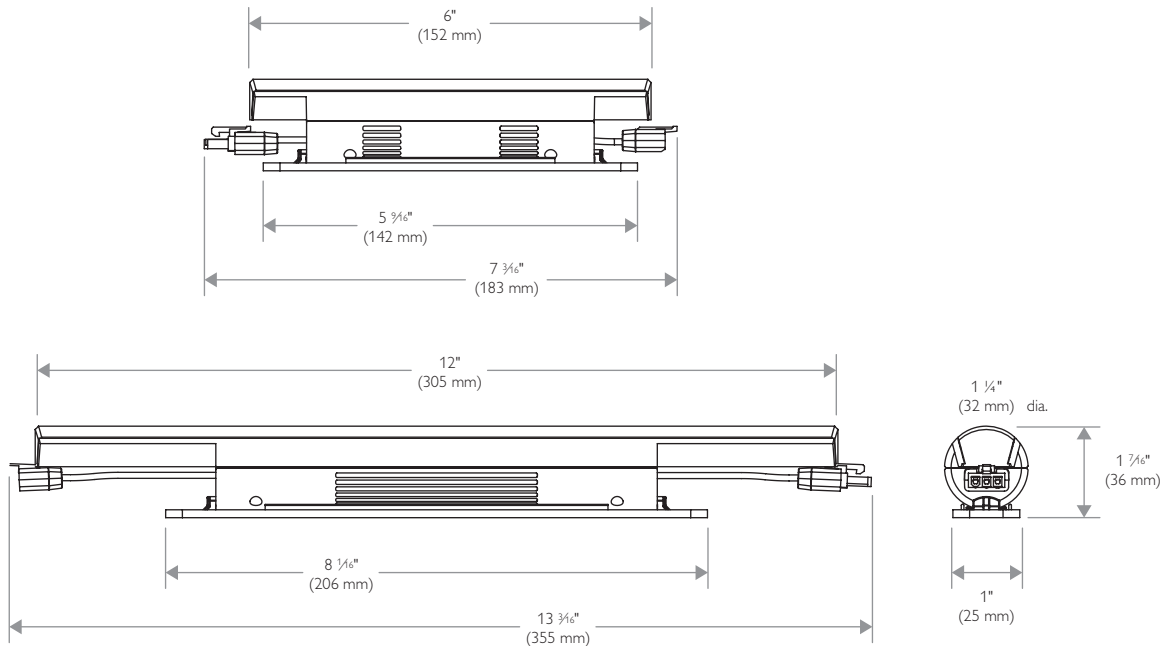


# Decorative, Concealed Lighting, White LED



Cat No.	Finish	Length	Wattage	Color Temp	Voltage
CWL271212	Charcoal Gray	12"	3W	2700K	120V
CWL401212				4000K	
CWL270612		6"	1.5W	2700K	
CWL400612				4000K	

Power Cord	Lead
CWLPC120	120"

**Ordering Information:** Complete fixture consists of Fixture + Power Cord.  
i.e. CWL271212 + CWLPC120

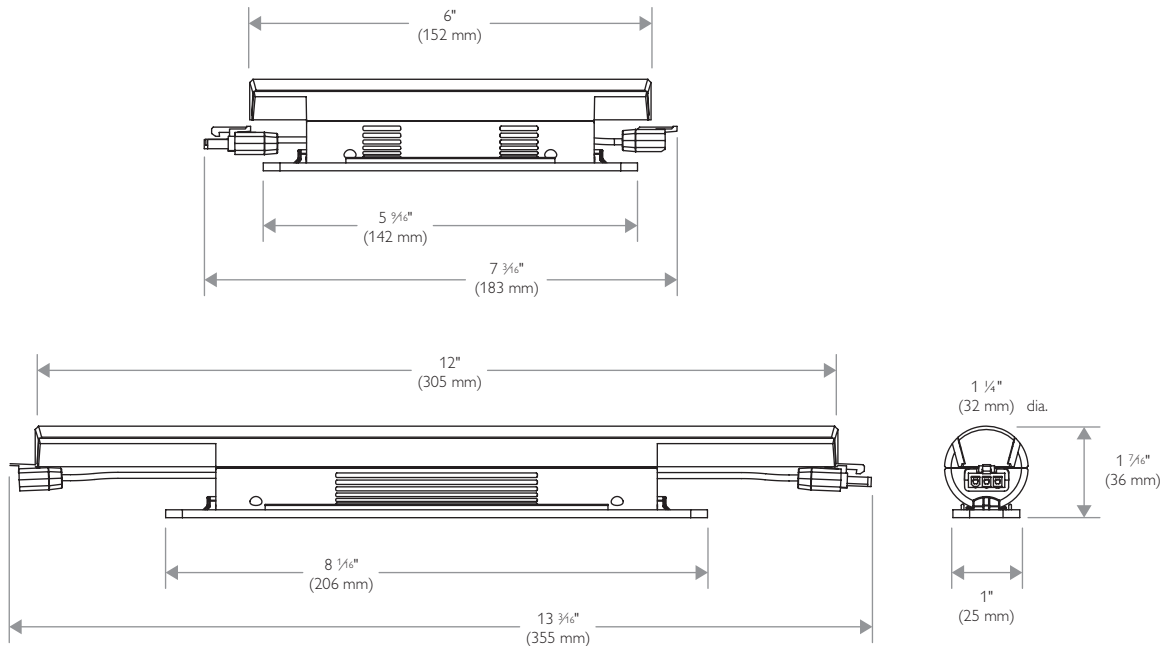
**Accessories:**

Mounting Track	Quantity
CLMT2548	(25) 4ft Mounting Tracks

Jumper Cables	Lead
CWLJC12	12"
CWLJC60	60"

Job Information	Type:
Job Name:	
Cat. No.:	
Notes:	

# Decorative, Concealed Lighting, White LED



## Features

Dimmable, linear line voltage modules with end-to-end connections that generate high quality white light in either 2700K or 4000K.

- Integral mounting bracket with 180° rotation
- Smooth, wide symmetrical distribution
- Available in 12" (305 mm) and 6" (152 mm) lengths
- End-to-end connections
- Available in 2700 K and 4000 K
- Low power consumption
- 50,000 hour lifetime
- Up to 100 12" or 150 6" fixtures may be used in a series
- Line voltage for simple installations and long runs
- Dimmable with standard ELV-type dimmers

**Materials:** Injection-molded housing and Polycarbonate lens.

**Finish:** Charcoal grey.

**Lamping:** High brightness LEDs (5 in 12", 3 in 6").

**Max. connected load:** 3W for 12", 1.5W for 6".

**Electrical:** 120 VAC input.

**Mounting:** Holes for screw-mounting or optional mounting track.

## Labels

UL/CUL, IP20, Dry Listed.



Philips Lightolier  
 e: lol.webmaster@philips.com  
 t: (508) 679-8131  
 w: www.lightolier.com

CWL August 9, 2011

Specifications are subject to change without notice.  
 © Koninklijke Philips Electronics N.V., 2011. All rights reserved.

<b>Job Information</b>	<b>Type:</b>
------------------------	--------------