

Complete ordering instructions below.

### Ordering Information

Family	Mounting	Shielding	Configuration	Output	Length (nom.)	Housing	Voltage	Option
<b>CT3</b>	<b>L</b>	<b>R</b>	<b>A</b>					
CT3	L = Flangeless	R = Recessed Lens	A = 1 Lamp <sup>1</sup>	H = High Output S = Standard	2 = 2-foot 4 = 4-foot 8 = 8-foot	U = Individ. Unit S = Starter J = Joiner T = Telescoping <sup>2</sup>	1 = 120V 2 = 277V	E = EM Pack <sup>3</sup> T = Tandem Switch 4 = 4 Through Wires 5 = 5 Through Wires D = Dimming

<sup>1</sup> Lamp is mounted diagonally and extends into adjacent fixture by 2-1/2" (6.35cm) in Starter, Joiner and Telescoping fixtures  
<sup>2</sup> Telescoping fixture ships 85-3/8" (216.85cm), adjustable down to 49-3/8" (125.41cm)  
<sup>3</sup> EM pack not available in 2-foot or Telescoping fixtures

### Features

- Housing:** 20 gauge pre-painted steel
- Bulkhead:** 18 gauge galvanized steel
- Reflector:** semi-specular aluminum
- Trim:** none visible, flangeless installation
- Ballast:** program start electronic
- Lamp:** T5 or T5 HO fluorescent
- Lens:** extruded frosted acrylic  
Optional Extended Continuous Length Lens shown on page 2.

### Mounting

Housing is suspended by hanger wires by others.  
Optional factory provided Quick-Draw Installation System shown on page 2.

### Electrical

**Electronic Ballast:** Programmed start, 3 conductor, 12 gauge wire.  
Color-coded quick connectors allow easy connection for modular fixtures. T5HO lamps are dimmed with Advance Mark 10. T5 standard output lamps are dimmed with ULT Super Dim. Use compatible dimmers and feed wires. Factory installed ballast disconnect allows the ballast to be disconnected from and reconnected to incoming power under load without turning the entire circuit off.  
**Emergency Battery Pack:** 450 Lumens @ 90 minimum.

### Labels

UL, cUL and IBEW

### Ordering Instructions

#### Individual Fixtures:

- Order number of INDIVIDUAL UNITS required.

#### Continuous Rows:

- Determine run length
- Order one Starter fixture
- Order one Telescoping fixture\*
- Order remainder of Joiner fixtures

\* For best one-lamp effect, use Telescoping fixture at longest length possible.

### Job Information

### Type:

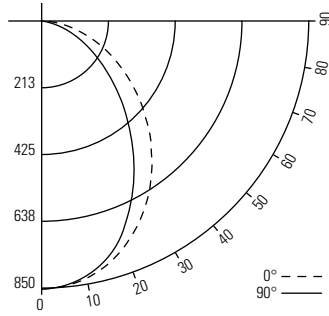
**Job Name:**

**Cat. No.:**

**Lamp(s):**

**Notes:**

## Performance & Quick Calculators



**Report No:** ITL58168  
**Cat No:** CT3GRAH4U1  
**Efficiency:** 37.1%  
**Lamps:** 1 FQ54W/840/HO  
 (Amalgam Lamp)  
**Lumens:** 4900

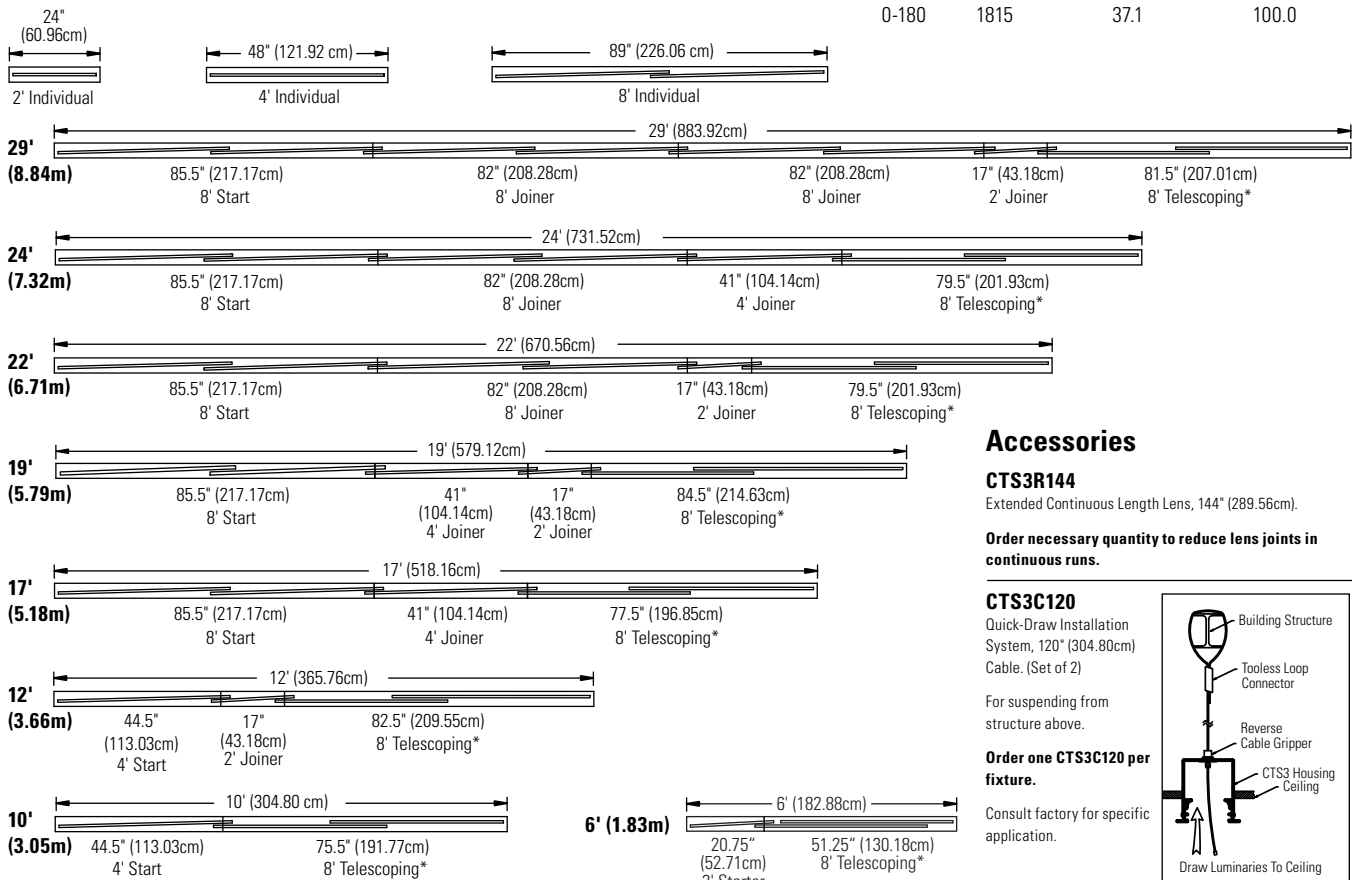
ZONE DEG.	Candlepower				
	0	22	45	67	90
180	0	0	0	0	0
175	0	0	0	0	0
165	0	0	0	0	0
155	0	0	0	0	0
145	0	0	0	0	0
135	0	0	0	0	0
125	0	0	0	0	0
115	0	0	0	0	0
105	0	0	0	0	0
95	0	0	0	0	0
90	0	0	0	0	0
85	33	14	11	11	11
75	122	94	68	54	49
65	232	203	161	137	130
55	351	326	276	242	230
45	481	464	413	374	359
35	607	599	559	522	508
25	720	714	698	672	661
15	804	802	795	790	787
5	847	848	847	846	845
0	853	853	853	853	853

Room Cavity Ratio	Coefficients Of Utilization								
	% Effective Ceiling Cavity Reflectance								
	80			70			50		
	-% WALL REFLECTANCE								
	50	30	10	50	30	10	50	30	10
0	44	44	44	43	43	43	41	41	41
1	39	38	37	38	37	36	37	36	35
2	35	32	30	34	32	30	33	31	29
3	31	28	26	30	28	26	29	27	25
4	28	25	22	27	24	22	26	24	22
5	25	22	19	24	22	19	24	21	19
6	23	19	17	22	19	17	22	19	17
7	21	18	15	20	17	15	20	17	15
8	19	16	14	19	16	14	18	16	14
9	17	15	13	17	14	13	17	14	12
10	16	13	11	16	13	11	16	13	11

Floor Cavity Reflectance = 20%

ZONAL LUMEN SUMMARY			
ZONE	LUMENS	% BARELAMP	% LUMINAIRE
0-90	1815	37.1	100.0
90-180	0.0	0.0	0.0
0-180	1815	37.1	100.0

## Sample Runs



\* Telescoping fixture ranges from 85-3/8" (216.85cm) to 49-3/8" (125.41cm).  
 For best one-lamp effect, use Telescoping fixture in longest length possible.

## Accessories

### CTS3R144

Extended Continuous Length Lens, 144" (289.56cm).

Order necessary quantity to reduce lens joints in continuous runs.

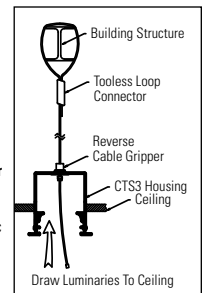
### CTS3C120

Quick-Draw Installation System, 120" (304.80cm) Cable. (Set of 2)

For suspending from structure above.

Order one CTS3C120 per fixture.

Consult factory for specific application.



## Job Information Type: