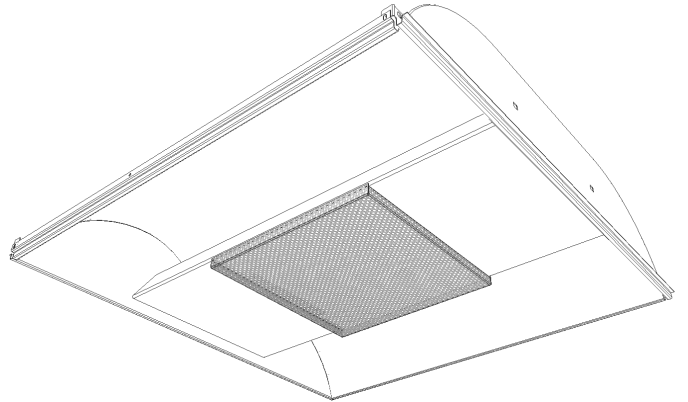


# Coffaire SQ CFS2GSQ2FT or 3FT

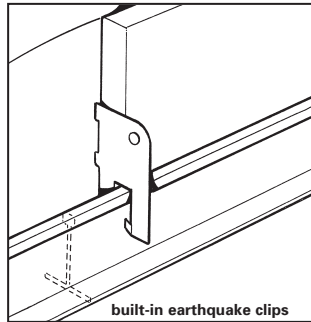
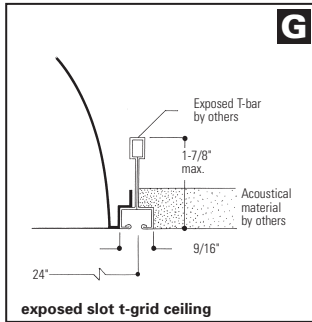
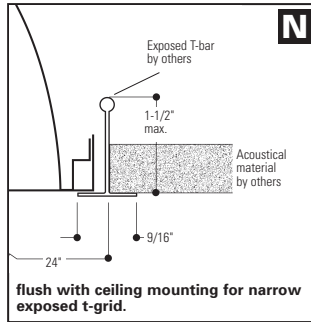
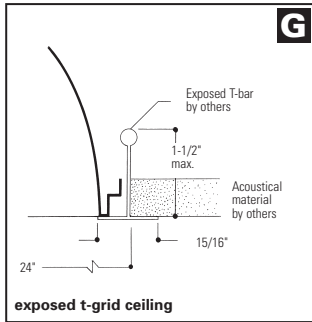
## Architectural Direct/Indirect Recessed Fluorescent 2' x 2' with Acrylic Lens and Perforated Steel Center Panel, 2 or 3 Lamp Twin Tube T5

### Features

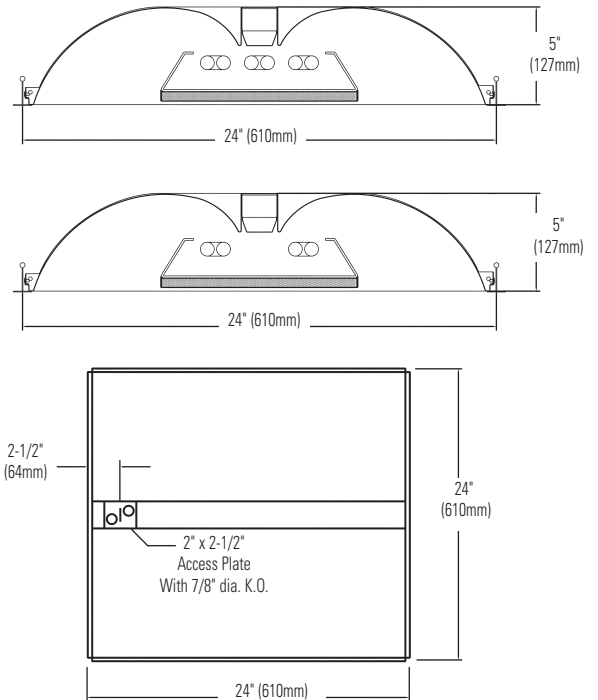
- A white translucent acrylic lens blends with the reflector paint finish to provide a unique free floating appearance to the attached 10" square perforated mesh steel center panel.
- Direct/Indirect fixture with a softly contoured interior
- Lens hinges from either side of fixture.
- Only 5" deep.
- Same fixture fits both G and T ceiling types.
- Fits flush to face of slot grid (T) ceiling.
- Built-in earthquake clips.
- Can be continuous row mounted.
- Wiring access plate standard.
- Meets NYC Code requirements.
- Construction to meet Chicago Plenum requirement is available.



### Mounting Methods



### Dimensions



Job Information	Type:
<b>Job Name:</b>	
<b>Cat. No.:</b>	
<b>Lamp(s):</b>	
<b>Volts/Ballast:</b>	

# Coffaire SQ CFS2GSQ2FT or 3FT

## Architectural Direct/Indirect Recessed Fluorescent 2' x 2' with Acrylic Lens and Perforated Steel Center Panel, 2 or 3 Lamp Twin Tube T5

### Model No. CFS2GSQ2FT120SB

LER = FP - 62.1 IW - 67.0 BF - 0.88  
Comparative yearly lighting energy cost per  
1000 lumens = \$3.87

Report Number: G2010121  
Catalog Number: CFS2GSQ2FT120SB  
Lamps: (2) PL-L 40W/835/4P/RS/IS  
Luminaire: Coffaire SQ 2' X 2', Acrylic Lens  
with perforated steel center ascent.  
Ballast: Advance ICN-2TTP-40SC  
Report is based on 3300 Lumens per lamp.  
Efficiency: 71.6%

CIE Type-Direct-Indirect  
Plane: 0-Deg 90-Deg  
Spacing Criteria: 1.2 1.3  
Shielding Angles: 90 90  
Plane: 0-Deg 90-Deg  
Luminous Length: 22.920 22.920

#### COEFFICIENTS OF UTILIZATION – ZONAL CAVITY METHOD. EFFECTIVE FLOOR CAVITY REFLECTANCE 0.20

RC	80	50	30	10
1	78	75	71	70
2	71	65	60	54
3	64	57	51	44
4	59	50	44	38
5	54	45	38	33
6	50	40	34	29
7	46	36	30	25
8	43	33	27	23
9	40	30	25	20
10	38	28	22	18

#### CANDELA DISTRIBUTION

	0.0	45.0	90.0	FLUX
0	1624	1624	1624	
5	1613	1616	1618	154
15	1540	1556	1571	439
25	1411	1447	1486	668
35	1236	1300	1372	816
45	1021	1123	1211	863
55	774	903	988	796
65	508	635	681	607
75	258	315	292	313
85	57	61	55	71
90	0	0	0	

#### ZONAL LUMEN SUMMARY

ZONE	LUMENS	% LAMP	% FIXT
0- 30	1261	19.1	26.7
0- 40	2077	31.5	43.9
0- 60	3736	56.6	79.0
0- 90	4727	71.6	100.0
90-180	0	0.0	0.0
0-180	4727	71.6	100.0

#### LUMINANCE DATA IN CANDELA/SQ. METER

AVERAGE IN DEG.	AVERAGE 0-DEG.	AVERAGE 45-DEG.	AVERAGE 90-DEG.
45	4259	4684	5051
55	3980	4643	5081
65	3545	4432	4753
75	2940	3590	3328
85	1929	2064	1861

### Model No. CFS2GSQ3FTUNVI3

LER = FP - 52.8 IW - 97.3 BF - 0.88  
Comparative yearly lighting energy cost per  
1000 lumens = \$4.54

Report Number: G2010041  
Catalog Number: CFS2GSQ3FTUNVI3  
Lamps: (3) PL-L 40W/835/4P/RS/IS  
Luminaire: Coffaire SQ 2' X 2', Acrylic Lens  
with perforated steel center ascent.  
Ballast: Advance ICN-3TTP-40SC  
Report is based on 3300 Lumens per lamp.  
Efficiency: 59.0%

CIE Type-Direct-Indirect  
Plane: 0-Deg 90-Deg  
Spacing Criteria: 1.2 1.3  
Shielding Angles: 90 90  
Plane: 0-Deg 90-Deg  
Luminous Length: 22.920 22.920

#### COEFFICIENTS OF UTILIZATION – ZONAL CAVITY METHOD. EFFECTIVE FLOOR CAVITY REFLECTANCE 0.20

RC	80	50	30	10
1	64	61	59	58
2	58	53	49	44
3	53	47	42	37
4	49	41	36	32
5	45	37	32	27
6	41	33	28	24
7	38	30	25	21
8	35	27	22	19
9	33	25	20	17
10	31	23	18	15

#### CANDELA DISTRIBUTION

	0.0	45.0	90.0	FLUX
0	2014	2014	2014	
5	2001	2003	2010	191
15	1916	1927	1948	545
25	1760	1791	1836	828
35	1545	1607	1689	1010
45	1282	1387	1483	1067
55	972	1112	1195	979
65	635	774	819	743
75	324	391	373	391
85	68	77	72	89
90	0	0	0	

#### ZONAL LUMEN SUMMARY

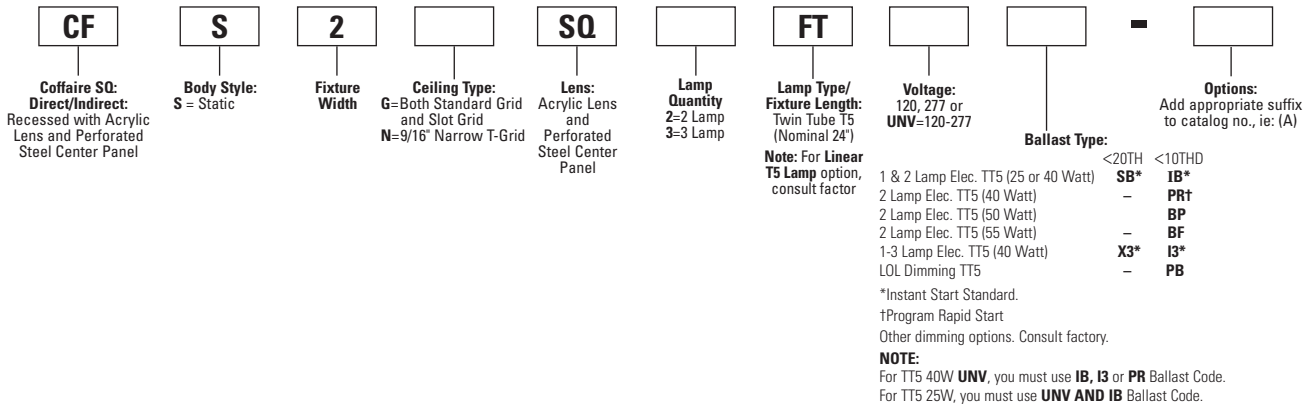
ZONE	LUMENS	% LAMP	% FIXT
0- 30	1564	15.8	26.8
0- 40	2574	26.0	44.1
0- 60	4620	46.7	79.1
0- 90	5842	59.0	100.0
90-180	0	0.0	0.0
0-180	5842	59.0	100.0

#### LUMINANCE DATA IN CANDELA/SQ. METER

AVERAGE IN DEG.	AVERAGE 0-DEG.	AVERAGE 45-DEG.	AVERAGE 90-DEG.
45	5347	5785	6186
55	4998	5718	6145
65	4432	5402	5716
75	3692	4456	4251
85	2301	2606	2437

### Ordering Information

Explanation of Catalog Number. Example: CFS2GSQ2FT120SB



### Specifications

**Materials:** Chassis parts are die-formed code gauge steel.  
**Lamp Shield:** White DR acrylic lens with 22 gauge steel perforated mesh lamp shield.  
**Finish:** Chassis exterior – soft white post painted polyester powder.  
Cavity – soft white post painted polyester powder.  
**Reflector** – soft white post painted polyester powder, minimum 86% reflectance. Phosphate undercoating.  
**Electrical:** Thermally protected class “P” ballast C.B.M. approved, non PCB. If K.O. is within 3” of ballast, use wire suitable for at least 90°.  
UL Listed for damp locations.  
**Labels:** I.B.E.W./UL and ULc Listed.

This product may have a mercury containing lamp. Manage in accord with Disposal Laws. See: www.lamprecycle.org

### Options/Accessories

**Fusing:** Internal fast blow fusing: SUFFIX: A.  
Internal slow blow fusing: SUFFIX: C.  
**Drywall Kit:** Order Catalog Number: FK92X2.  
**Electrical Wiring Options:** Consult factory.  
**Chicago Plenum:** SUFFIX: C.

### Job Information Type: