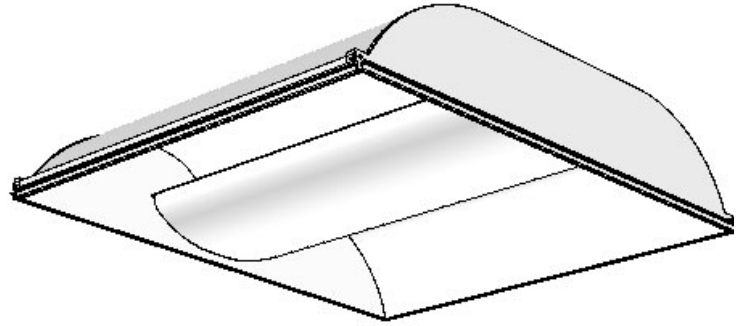


Coffaire HP CFS2GHP2FT

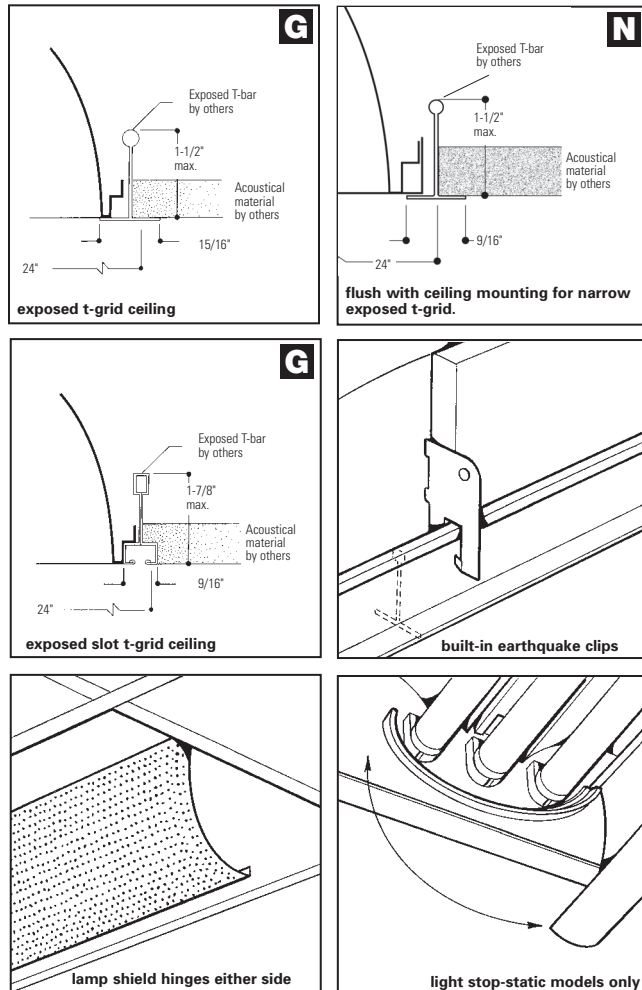
Direct/Indirect High Performance Recessed Fluorescent 2' x 2' with Perforated Basket ~ Static, 2 Lamp, Twin Tube T5

Features

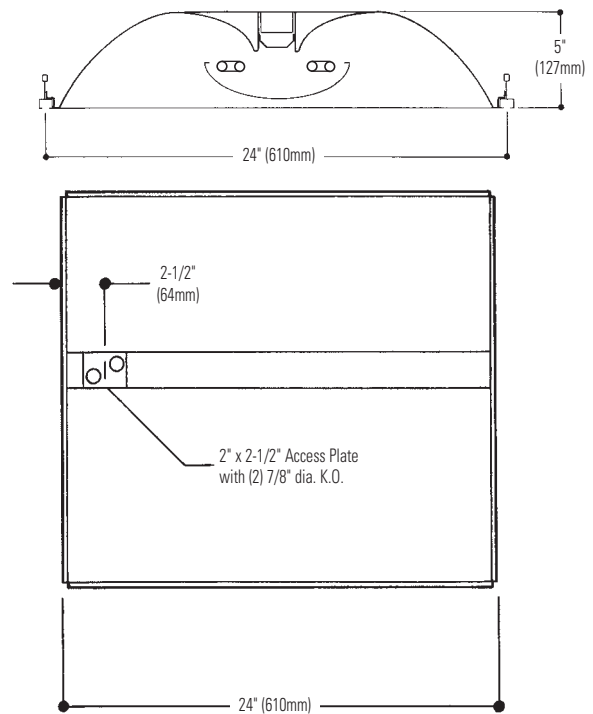
- Direct/indirect lamp shield appearance with soft contoured interior.
- Perforated mesh lamp basket with unique TransOptix lens.
- Body 95% reflective Flat White Powder Coated.
- 95% Internal Mirror reflector.
- 71.5% efficient (2 lamp 40 watt).
- Spacing to mounting ratio 1.3 (2 lamp 25 watt).
- Spacing to mounting ratio 1.4 (2 lamp 40 watt).
- Only 5" deep.
- Tension screws secure ends to body.
- Same fixture fits both G and T ceiling.
- Fits flush to face of slot grid (T) ceiling.
- Injection molded light stop at basket ends.
- Perforated lamp shield hinges from either side.
- Ballast accessible thru lamp compartment from room side.
- Can be continuous row mounted.
- Wiring access plate standard.
- Construction to meet NYC Code or Chicago Plenum requirement is available.



Mounting Methods



Dimensions



Job Information Type:

Job Name:

Cat. No.:

Lamp(s):

Volts/Ballast:

Coffaire HP CFS2GHP2FT

Direct/Indirect High Performance Recessed Fluorescent 2' x 2' with Perforated Basket ~ Static, 2 Lamp, Twin Tube T5

Model No. CFS2GHP2FTUNVIB ~ 40 Watt Lamps

LER = FP - 61.4 IW - 67.6 BF - 0.88
Comparative yearly lighting energy cost per
1000 lumens = \$3.91

Report Number: G2008288
Catalog Number: CFS2GHP2FTUNVIB
Lamps: (2) PL-L40W/835/4P/RS/IS
Luminaire: Coffaire HP 2'x2' with 95%
reflective white reflectors and
perforated basket.
Ballast: ICN-2TTP40-SC Advance
Report is based on 3300 Lumens per lamp.
Efficiency: 71.5%
CIE Type-Direct-Indirect
Plane: 0-Deg 90-Deg
Spacing Criteria: 1.2 1.4
Shielding Angles: 90 90
Plane: 0-Deg 90-Deg
Luminous Length: 22.920 22.920

CANDELA DISTRIBUTION

	0.0	45.0	90.0	FLUX
0	1586	1586	1586	
5	1582	1577	1580	150
15	1509	1525	1544	431
25	1377	1426	1478	658
35	1192	1285	1382	806
45	963	1110	1250	856
55	705	905	1070	802
65	443	660	768	624
75	220	319	352	322
85	47	59	63	68
90	6	6	5	

COEFFICIENTS OF UTILIZATION – ZONAL CAVITY METHOD, EFFECTIVE FLOOR CAVITY REFLECTANCE 0.20

RC	80	50	30	10	50	30	10
RW 70	70	70	70	67	65	67	65
1	78	74	71	70	67	65	63
2	71	65	60	61	57	54	55
3	64	57	51	53	49	45	47
4	59	50	44	47	42	38	41
5	54	45	38	42	37	33	41
6	50	40	34	38	33	28	37
7	46	36	30	34	29	25	33
8	43	33	27	32	26	22	31
9	40	30	24	29	24	20	28
10	37	28	22	27	22	18	26

ZONAL LUMEN SUMMARY

ZONE	LUMENS	% LAMP	% FIXT
0- 30	1240	18.8	26.3
0- 40	2046	31.0	43.4
0- 60	3703	56.1	78.5
0- 90	4717	71.5	100.0
90-180	0	0.0	0.0
0-180	4717	71.5	100.0

LUMINANCE DATA IN CANDELA/SQ. METER

AVERAGE IN DEG.	AVERAGE 0-DEG.	AVERAGE 45-DEG.	AVERAGE 90-DEG.
45	4017.	4630.	5214.
55	3625.	4654.	5502.
65	3092.	4606.	5360.
75	2507.	3635.	4011.
85	1591.	1997.	3132.

Ordering Information

Explanation of Catalog Number: Example: CFS2GHP2FTUNVIB

<div style="border: 1px solid black; width: 40px; height: 20px; margin: 0 auto;"></div> <p>Coffaire HP: Direct/ Indirect Recessed with Perforated Mesh Shield</p>	<div style="border: 1px solid black; width: 40px; height: 20px; margin: 0 auto; text-align: center; font-weight: bold;">S</div> <p>Body Style: S = Static</p>	<div style="border: 1px solid black; width: 40px; height: 20px; margin: 0 auto; text-align: center; font-weight: bold;">2</div> <p>Fixture Width</p>	<div style="border: 1px solid black; width: 40px; height: 20px; margin: 0 auto;"></div> <p>Ceiling Type: G=Both Standard Grid and Slot Grid N=9/16" Narrow T-rid</p>	<div style="border: 1px solid black; width: 40px; height: 20px; margin: 0 auto; text-align: center; font-weight: bold;">HP</div> <p>High Performance</p>	<div style="border: 1px solid black; width: 40px; height: 20px; margin: 0 auto;"></div> <p>Lamp Quantity 2=2 Lamp</p>	<div style="border: 1px solid black; width: 40px; height: 20px; margin: 0 auto; text-align: center; font-weight: bold;">FT</div> <p>Lamp: (By Others) FT=Twin Tube T5 (Nominal 24")</p>	<div style="border: 1px solid black; width: 40px; height: 20px; margin: 0 auto;"></div> <p>Voltage: 120, 277 or UNV=120-277</p>	<div style="border: 1px solid black; width: 40px; height: 20px; margin: 0 auto;"></div> <p>Ballast Type:</p>	<div style="border: 1px solid black; width: 40px; height: 20px; margin: 0 auto;"></div> <p>Options: Add appropriate suffix to catalog no., ie: (A)</p>
--	--	---	---	---	--	--	--	---	---

CF Standard Coffaire High Performance
CY For NYC Code – I.B.E.W. Manufactured
CN For NYC Code – Local 3 Manufactured

<20TH SB* IB* <10TH PR†
– BE – BF
– PB –
2 Lamp Elec. TT5 (40 Watt)
2 Lamp Elec. TT5 (40 Watt)
2 Lamp Elec. TT5 (50 Watt)
2 Lamp Elec. TT5 (55 Watt)
LOL Dimming TT5
*Instant Start Standard.
†Program Rapid Start
Other dimming options. Consult factory.
NOTE:
For TT5 40W UNV, you must use IB or PR Ballast Code.
For TT5 25W, you must use UNV AND IB Ballast Code.

Options/Accessories

Fusing: Internal fast blow fusing: SUFFIX: **A**.
Internal slow blow fusing: SUFFIX: **C**.
Drywall Kit: Order Catalog Number: **FK92X2**.
Electrical Wiring Options: Consult factory.
Chicago Plenum: SUFFIX **C**.

Specifications

Performance: In an installation of 2 lamp 40W luminaires in a room cavity ratio of 1, with reflectance 80% ceiling, 50% wall, 20% floor, the C.U. shall not be less than .65. To reduce glare the average brightness at 65° shall not exceed 5360 candelas per square meter. To control veiling reflections, luminaire output in the 30°-90° zone shall not be less than 73.7%.

Materials: Chassis parts are die-formed code gauge steel.
Lamp Shield: 22 gauge steel perforated mesh lamp shield with unique TransOptix lens.
Finish: Chassis exterior – 95% reflective white baked polyester enamel.

Specifications (continued)

Rust preventative undercoating. **Cavity** – 95% reflective white baked polyester enamel.
Reflector – 95% reflective Miro aluminum reflector. **Lamp Shield** – 95% reflective white baked polyester enamel.
Electrical: Thermally protected class "P" ballast C.B.M. approved, non PCB. If K.O. is within 3" of ballast, use wire suitable for at least 90°.
Labels: UL Listed for damp locations. I.B.E.W./UL and ULc Listed.
This product may have a mercury containing lamp. Manage in accord with Disposal Laws. See: www.lamprecycle.org

Job Information	Type:
------------------------	--------------