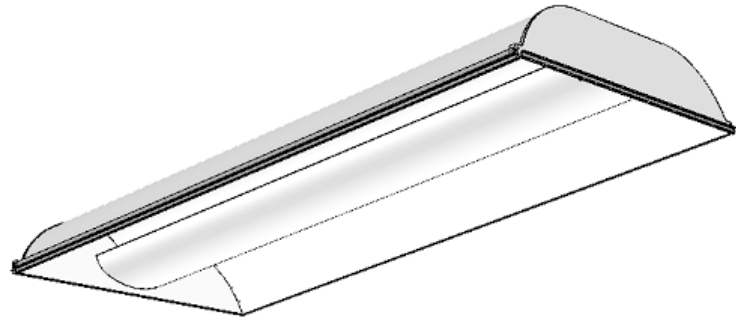


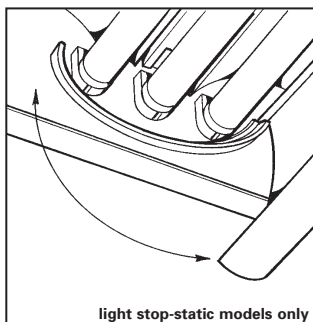
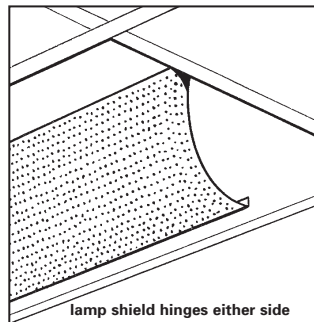
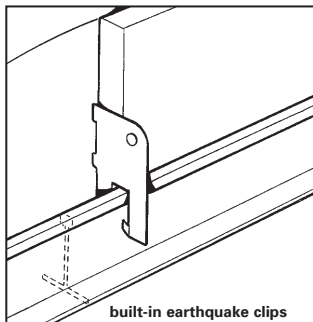
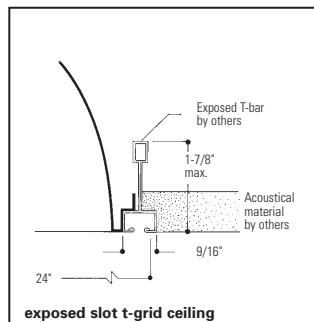
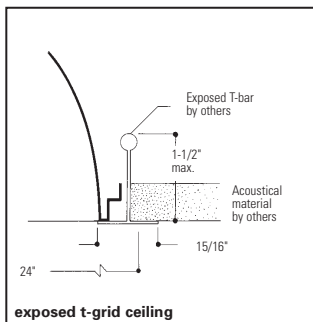
Coffaire II Recessed Fluorescent **CFH2GPF232 or 332**

Features

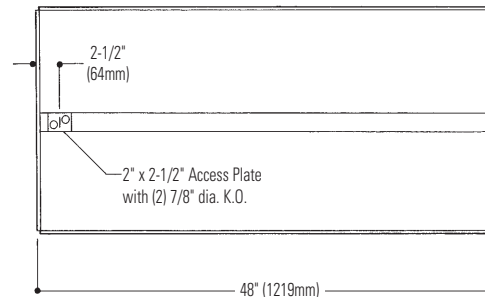
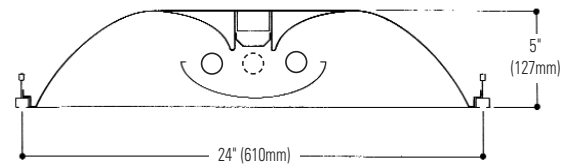
- Direct/indirect lamp shield appearance.
- Perforated mesh lamp shield with white acrylic overlay.
- Contoured body and ends.
- Air return models meet UL 1598, Paragraph 9.2.2.5 requirements.
- 63.8% efficient (2 lamp).
- 60.2% efficient (3 lamp).
- Spacing to mounting ratio 1.4 (2 lamp).
- Spacing to mounting ratio 1.3 (3 lamp).
- Only 5" deep.
- Tension bars secure ends to body.
- Same fixture fits both G and T ceiling.
- Fits flush to face of slot grid (T) ceiling.
- Static models have injection molded light stop at basket ends.
- Perforated lamp shield hinges from either side.
- Ballast accessible from room side.
- Can be continuous row mounted.
- Wiring access plate standard.
- Construction to meet NYC Code or Chicago Plenum requirement is available.



Mounting Methods



Dimensions



Job Information	Type:
Job Name:	
Cat. No.:	
Lamp(s):	
Volts/Ballast:	

Lightolier a Genlyte company www.lightolier.com
 Technical Information: (978) 657-7600 • Fax (978) 658-0595
 631 Airport Road, Fall River, MA 02720 • (508) 679-8131 • Fax (508) 674-4710
 We reserve the right to change details of design, materials and finish.
 © 2005 a Genlyte company **Section 5/Folio M15-55**



Coffaire II Recessed Fluorescent CFH2GPF232 or 332

Direct/Indirect – with Perforated Basket
Air Return/Static, 2 Lamp or 3 Lamp T8

Model No. CFH2GPF232120SO

LER = FP - 54.7 IW - 58.0 BF - 0.87
Comparative yearly lighting energy cost per
1000 lumens = \$4.39

Report Number: G2004255
Catalog Number: CFH2GPF232120SO
Lamps: F32/T8 TL841
Luminaire: Coffaire II with perforated
basket
Ballast: Triad B232IUNV-HP, 58 watts
Report is based on 2850 Lumens per lamp.
Efficiency: 63.8%
CIE Type-Direct-Indirect
Plane: 0-Deg 90-Deg
Spacing Criteria: 1.2 1.4
Shielding Angles: 90 90
Plane: 0-Deg 90-Deg
Luminous Length: 46.920 22.920

CANDELA DISTRIBUTION

	0.0	45.0	90.0	FLUX
0	1179	1179	1179	
5	1172	1174	1176	112
15	1120	1135	1151	321
25	1028	1067	1105	492
35	899	972	1031	606
45	742	851	931	651
55	555	705	794	618
65	357	528	614	504
75	175	308	243	281
85	37	43	47	52
90	0	0	0	

Model No. CFH2GPF33212003

LER = FP - 50.7 IW - 85 BF - 0.88
Comparative yearly lighting energy cost per
1000 lumens = \$4.73

Report Number: G2004256
Catalog Number: CFH2GPF33212003
Lamps: F32/T8 TL841
Luminaire: Coffaire II with perforated
basket
Ballast: SYL QT3X32T8 120, 89.0 watts
Report is based on 2850 Lumens per lamp.
Efficiency: 60.2%
CIE Type-Direct-Indirect
Plane: 0-Deg 90-Deg
Spacing Criteria: 1.2 1.3
Shielding Angles: 90 90
Plane: 0-Deg 90-Deg
Luminous Length: 46.920 22.920

CANDELA DISTRIBUTION

	0.0	45.0	90.0	FLUX
0	1733	1733	1733	
5	1722	1725	1729	164
15	1645	1668	1693	472
25	1507	1563	1613	720
35	1316	1412	1483	879
45	1076	1213	1310	930
55	801	983	1083	863
65	504	712	809	682
75	244	394	335	369
85	51	58	63	72
90	0	0	0	

COEFFICIENTS OF UTILIZATION –
ZONAL CAVITY METHOD. EFFECTIVE
FLOOR CAVITY REFLECTANCE 0.20

RC	80	50	30
RW	70	50	30
1	69	66	63
2	63	57	53
3	57	50	45
4	52	44	38
5	48	39	33
6	44	35	29
7	41	32	26
8	38	29	23
9	35	27	21
10	33	25	19

COEFFICIENTS OF UTILIZATION –
ZONAL CAVITY METHOD. EFFECTIVE
FLOOR CAVITY REFLECTANCE 0.20

RC	80	50	30
RW	70	50	30
1	66	63	60
2	59	54	50
3	54	48	43
4	49	42	37
5	45	37	32
6	42	34	28
7	39	30	25
8	36	28	23
9	34	25	20
10	32	23	19

LUMINANCE DATA IN CANDELA/SQ. METER

AVERAGE IN DEG.	AVERAGE 0-DEG.	AVERAGE 45-DEG.	AVERAGE 90-DEG.
45	1512.	1734.	1897.
55	1394.	1771.	1994.
65	1217.	1800.	2093.
75	974.	1715.	1353.
85	612.	711.	777.

ZONAL LUMEN SUMMARY

ZONE	LUMENS	% LAMP	% FIXT
0- 30	925	16.2	25.4
0- 40	1531	26.9	42.1
0- 60	2800	49.1	77.0
0- 90	3636	63.8	100.0
90-180	0	0.0	0.0
0-180	3636	63.8	100.0

LUMINANCE DATA IN CANDELA/SQ. METER

AVERAGE IN DEG.	AVERAGE 0-DEG.	AVERAGE 45-DEG.	AVERAGE 90-DEG.
45	2192.	2472.	2669.
55	2012.	2469.	2720.
65	1718.	2427.	2758.
75	1358.	2193.	1865.
85	843.	959.	1041.

ZONAL LUMEN SUMMARY

ZONE	LUMENS	% LAMP	% FIXT
0- 30	1356	15.9	26.3
0- 40	2235	26.1	43.4
0- 60	4027	47.1	78.2
0- 90	5150	60.2	100.0
90-180	0	0.0	0.0
0-180	5150	60.2	100.0

Ordering Information

Explanation of Catalog Number. Example: CFH2GPF232120SO

CF Coffaire II: Direct/ Indirect: Recessed with Perforated Mesh Shield	CY Standard Coffaire II	CN For NYC Code – Local 3 Manufactured	2 Body Style: S = Static H = Air Return	G Fixture Width	P Ceiling Type: Fits both Standard Grid and Slot Grid	F Perforated Lamp Shield	F Flat White Reflector	32 Lamp Quantity 2=2 Lamp 3=3 Lamp	32 Lamp: (By Others) 32=T8 (Nominal 48")	120, 277 or UNV=120-277 Voltage:	Ballast Type: <20THD <10THD 1 or 2 Lamp Elec. T8 SO* HI* 1-3 Lamp Elec. T8 O3* H3* LOL Dimming T8 PS *Instant Start Standard Other dimming options. Consult factory. NOTE: For T8 UNV, you must use HL H3 Ballast Code.	Options: Add appropriate suffix to catalog no., ie: (GLR)
---	-----------------------------------	--	---	------------------------------	---	---------------------------------------	--	---	---	--	--	---

Options/Accessories

Fusing: Internal fast blow fusing: SUFFIX: **GLR**.
Internal slow blow fusing: SUFFIX: **GMF**.

Drywall Kit: Order Catalog Number: **FK92X4** and **CF4FK SPACER**.

Electrical Wiring Options: Consult factory.

Chicago Plenum: SUFFIX: **C**.

Specifications

Performance: In an installation of 2 lamp 32W luminaires in a room cavity ratio of 1, with reflectance 80% ceiling, 50% wall, 20% floor, the C.U. shall not be less than .66. To reduce glare the average brightness at 65° shall not exceed 2093 candelas per square meter. To control veiling reflections, luminaire output in the 30°-90° zone shall not be less than 74.6%.

Materials: Chassis parts are die-formed code gauge steel.

Lamp Shield: 22 gauge steel perforated mesh lamp shield with white acrylic overlay.

Finish: Chassis exterior – baked white post painted acrylic enamel. **Cavity** – baked white post painted acrylic enamel. **Reflector** – baked white post painted

Specifications (continued)

acrylic enamel, minimum 86% reflectance. Phosphate undercoating. **Lamp Shield** – baked flat white acrylic enamel.

Electrical: Thermally protected class "P" ballast C.B.M. approved, non PCB. If K.O. is within 3" of ballast, use wire suitable for at least 90°.

UL Listed for damp locations.

Labels: I.B.E.W./UL and ULc Listed.

Job Information

Type:

Lightolier a Genlyte company www.lightolier.com
Technical Information: (978) 657-7600 • Fax (978) 658-0595
631 Airport Road, Fall River, MA 02720 • (508) 679-8131 • Fax (508) 674-4710
We reserve the right to change details of design, materials and finish.
© 2005 a Genlyte company **Section 5/Folio M15-55**

LIGHTOLIER