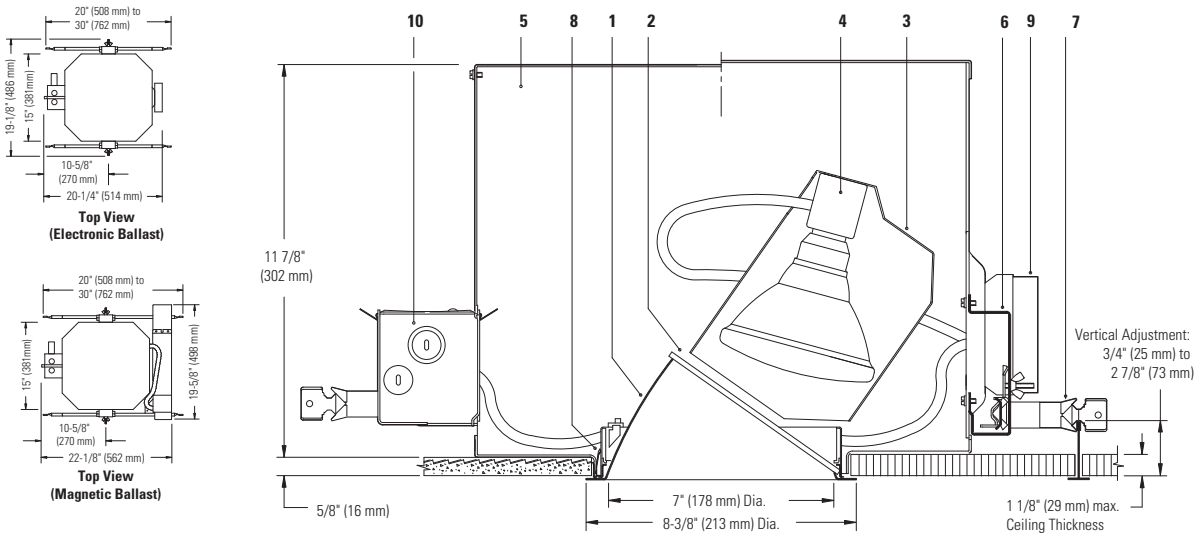


# Calculite® HID Lensed Wall Wash **C7P38MHL**



Ceiling Cutout: 8" (203mm) Dia.

Reflector Trim	Frame-In Kit	Lamp (Ceramic MH)
<b>C7P38MHL CLW</b> Specular Clear, White Painted Flange.	<b>C7A70P38E1</b> Electronic 120V	70W PAR38 Wide Flood
<b>CLP</b> Specular Clear, Matching Flange.	<b>C7A70P38E2</b> Electronic 277V	70W PAR38 Wide Flood
<b>CCDW</b> Comfort Clear Diffuse, White Painted Flange.	<b>C7A10P38E1</b> Electronic 120V	100W PAR38 Wide Flood
<b>CCDP</b> Comfort Clear Diffuse, Matching Flange.	<b>C7A10P38E2</b> Electronic 277V	100W PAR38 Wide Flood
<b>CCZW</b> Champagne Bronze, White Painted Flange.	Magnetic 120V/277V	70W PAR38 Wide Flood
<b>CCZP</b> Champagne Bronze, Matching Flange.	Magnetic 120V/277V	100W PAR38 Wide Flood

## Features

- Reflector Trim:** Low brightness, anodized aluminum integral flange in painted white or polished to match inside of cone.
- Directional Spread Lens:** High temperature, tempered glass. Precisely fits onto cone; replaceable.
- Kick Reflector:** 0.040" (16 ga.) aluminum. Clear anodized "Kick" reflector with directional spread lens distributes light smooth for vertical surface wall washing.
- Socket:** Medium base porcelain socket with nickel plated screwshell, pulse rated.
- Frame Housing:** Steel, 0.029" (22-Ga.), matte black finish.
- Frame Vertical Adjustment Mechanism:** Accommodates mounting to virtually any ceiling system using pre-installed mounting bars, or 1/2" EMT tubing (by others). Single locking feature secures all adjustments. Alignment holes and markings allow fixture to be pre-set prior to installation. Final adjustment can be made from below from inside fixture.
- Mounting Bars:** Galvanized steel, 0.048" (18-ga.), pre-installed telescoping bars extend to 30" long and lock securely into position. Built-in locking tabs provide positive attachment to common T-bar systems. Self-centering feature simplifies installation in 24" O.C. grid systems. Attaches to steel or wood joists without accessories.
- Retention Springs:** Rust resistant springs secure trim for quick, tool-less installation.
- Ballast / Cover Assembly:** Accessible from below and removable without tools for inspection and ballast replacement.
- Junction Box:** 0.059" (16-ga.) galvanized steel. UL listed for 8 No. 12 AWG, 90°C through branch circuit conductors. Allows inspection from below.
- Thermal Protector:** (Not Shown) Meets NEC and UL requirements. Do not install insulation above nor within 3" (76mm) of any part of the luminaire.

## Electrical

**Electronic Ballast:** 120V or 277V, 50/60 Hz., encased, high power factor, T.H.D. <15%, thermally and transient protected, RMI/RFI complies with FCC part 18 non-consumer limits, shut-down circuit at end of lamp life, sound rating "A", -5° F minimum starting temperature, Type 1 Outdoor rating.

## Electrical (cont.)

Ballast	ANSI Code	Voltage	Max. Amps	Input Watts
70W MH	M98/M143	120/277	0.67/0.28	78
100W MH	M90/M140	120/277	0.90/0.43	110

**Magnetic Ballast:** 120V/277V Dual Voltage, 60HZ Encased and potted, H8-HPF Circuit type, high power factor, sound rating "B", -20° F minimum starting temperature, type 1 outdoor rating.

Ballast	ANSI Code	Voltage	Max Amps	Input Watts
70W MH	M98/M143	120/277	1.90/0.80	94
100W MH	M90/M140	120/277	2.40/1.10	125

## Options and Accessories

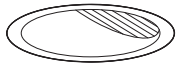
**Fuse** (magnetic ballast): Add suffix **F1** or **F2** to FIK (F1=120V F2=277V)

**Chicago Plenum:** Consult Factory.

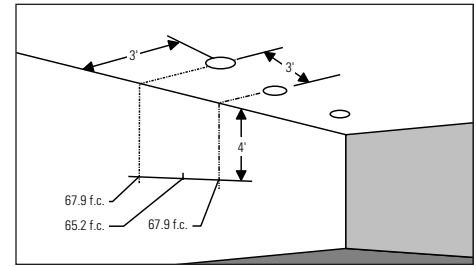
## Labels

UL (Suitable for Damp Locations), CSA (magnetic ballast only), I.B.E.W.

Job Information	Type:
<b>Job Name:</b>	
<b>Cat. No.:</b>	
<b>Lamp(s):</b>	
<b>Notes:</b>	



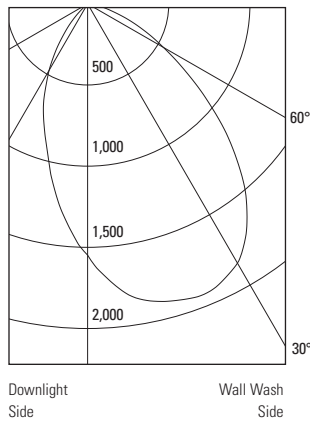
# Calculite® HID Wall Wash C7P38MHL



**Lighting Data - Example**  
C7P38MHLCLW illumination on the wall 4' down from the ceiling is 67.9 f.c. beneath and 65.2 f.c. between fixtures.

**CANDLEPOWER DISTRIBUTION**

**70W PAR38** WIDE FLOOD PHILIPS 3K CERAMIC MH. LUMEN RATING = 4800 LMS., AROMAT ELECTRONIC BALLAST REPORT NO. 2464FR



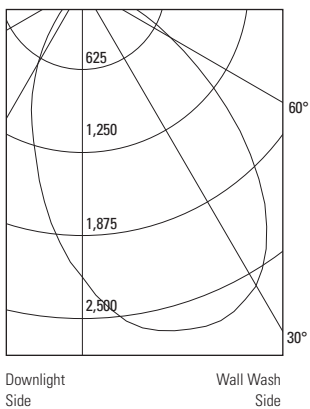
**Multiple Units - Footcandles On Wall**  
3' from Wall - 3' On Center

Distance From Ceiling in Feet	3' from Wall - 3' On Center		
	Left	Center	Right
1	26.7	20.9	26.7
2	62.0	54.0	62.0
3	75.3	68.3	75.3
4	67.9	65.2	67.9
5	55.9	55.1	55.9
6	44.8	44.4	44.8
7	36.2	35.9	36.2
8	29.8	29.6	29.8
9	25.0	24.9	25.0
10	21.4	21.3	21.4
11	18.6	18.6	18.6
12	16.6	16.5	16.6
13	15.1	15.0	15.1
14	14.2	14.1	14.2

**Multiple Units - Footcandles On Wall**  
4' from Wall - 4' On Center

Distance From Ceiling in Feet	4' from Wall - 4' On Center		
	Left	Center	Right
1	10.1	8.2	10.1
2	25.9	22.2	25.8
3	38.7	33.8	38.7
4	43.0	39.1	43.0
5	40.4	38.5	40.4
6	35.5	34.7	35.4
7	30.3	30.0	30.3
8	25.7	25.5	25.7
9	21.8	21.8	21.8
10	18.8	18.7	18.8
11	16.4	16.4	16.4
12	14.5	14.4	14.5
13	13.0	13.0	13.0
14	12.0	11.9	12.0

**100W PAR38** WIDE FLOOD PHILIPS 3K METAL HALIDE LAMP. LUMEN RATING = 6800 LMS., AROMAT ELECTRONIC BALLAST, REPORT NO. 2465FR



**Multiple Units - Footcandles On Wall**  
3' from Wall - 3' On Center

Distance From Ceiling in Feet	3' from Wall - 3' On Center		
	Left	Center	Right
1	36.9	28.7	36.9
2	87.0	75.7	87.0
3	106.1	96.2	106.1
4	95.8	92.0	95.8
5	78.8	77.7	78.8
6	63.3	62.6	63.3
7	51.1	50.6	51.1
8	42.0	41.8	42.0
9	35.3	35.1	35.3
10	30.1	30.0	30.1
11	26.3	26.2	26.3
12	23.4	23.3	23.4
13	21.3	21.2	21.3
14	20.0	19.9	20.0

**Multiple Units - Footcandles On Wall**  
4' from Wall - 4' On Center

Distance From Ceiling in Feet	4' from Wall - 4' On Center		
	Left	Center	Right
1	13.8	11.1	13.8
2	36.1	31.0	36.1
3	54.5	47.4	54.5
4	60.5	55.1	60.5
5	57.0	54.4	57.0
6	50.0	49.0	50.0
7	42.8	42.4	42.8
8	36.3	36.0	36.3
9	30.8	30.7	30.8
10	26.5	26.5	26.5
11	23.2	23.1	23.2
12	20.4	20.4	20.4
13	18.4	18.3	18.3
14	16.9	16.9	16.9

Lighting data above is certified, computed by LSI Program \*\*Test-Lite\*\*

**Job Information** **Type:**

Lightolier a Genlyte company www.lightolier.com  
631 Airport Road, Fall River, MA 02720 • (508) 679-8131 • Fax (508) 674-4710  
We reserve the right to change details of design, materials and finish.  
© 2006 Genlyte Group LLC • B0406

**LIGHTOLIER®**