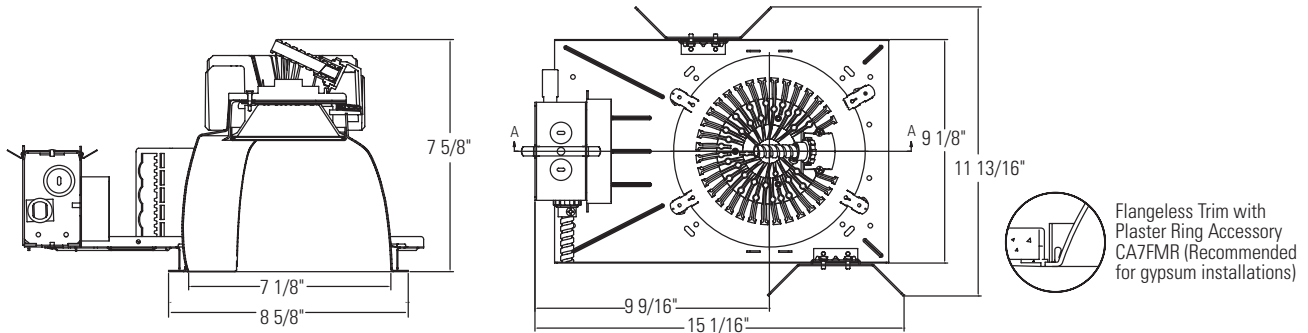


C7LI520WW

Calculite LED 7" Open Wall Washer



Ordering Guide: Light Engines

Light Engine Series	Style	Color Temperature	Reflector Finish	Flange	Options
C7LI520	WW (Open Wall Washer)	27K (2700K) 30K (3000K) 35K (3500K) 40K (4000K)	CL (Clear) CCL (Comfort Clear) CCD (Comfort Clear Diffuse) CCZ (Champagne Bronze) WH (Painted White)	W (Painted white) P (Aperture-matching/polished) FT (Flush-mount/flangeless) ¹	EM (Integral emergency test switch)

Example: C7LI520WW35KCCLWEM ¹Accessory CA7FMR recommended for gypsum applications. Reflector flange is 1/8".

Ordering Guide: Frame-in Kits

Frame-in Kit Series	Installation Options	Input Voltage	Options
C7LI5 (1500 Lumen)	N (New construction)	1 (120V)	Blank (0-10 volt dimming)
C7L20 (2000 Lumen)	R (Remodeler)	2 (277V)	EM (Emergency)

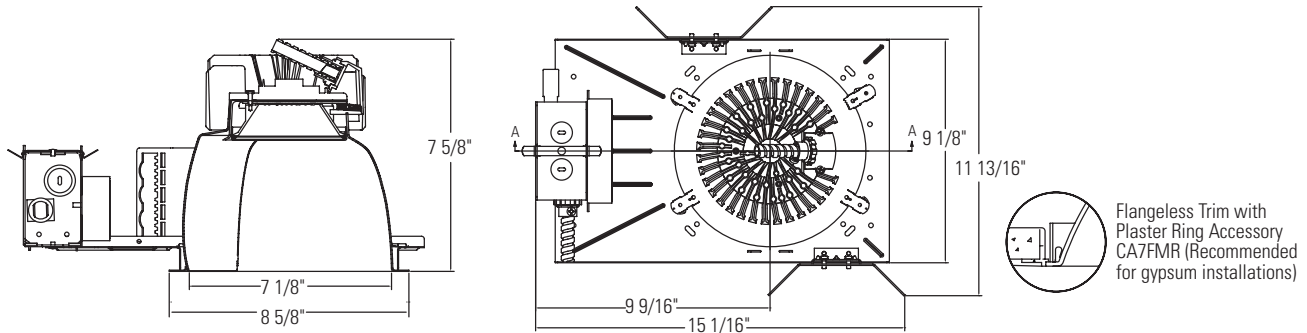
Example: C7LI5NIEM

Job Information	Type:
Job Name:	
Cat. No.:	
Notes:	

C7LI520WW

Calculite LED 7" Open Wall Washer

Page 2 of 3



Features

Aperture: 7 1/8" (181mm) I.D., 8 5/8" (219mm) O.D.

Input Wattage: 27W (1500 Lumens), 39W (2000 Lumens).

Reflector Cone: Aluminum. Provides 50° cutoff to source & source image. Self-flanged.

Depth (including Frame-in kit): 7 3/8" (186mm)

Power Connection: Attaches to frame-in kit via push-in connector (on frame). Removable cover provides access.

Technology

LED Board: Array of high brightness royal blue LED's.

Remote Phosphor Technology: Remote phosphor technology provides increased efficiency and color consistency. Phosphor lens assembly positioned in front of LED array converts blue light to white. Color shift will not exceed +/- 100K over life.

Optical Mixing Chamber: Lightolier-specific mixing chamber redirects back-reflected light through aperture resulting in 20% increase in efficiency.

Thermal Management: Heat sink and thermal design along with clean room assembly ensures specified performance.

Rated Life: Based on IESNA LM-80-2008

1500 Lumen – 60,000 hours at 70% lumen maintenance.

2000 Lumen – 57,000 hours at 70% lumen maintenance.

Photometric Performance: Tested in accordance to IESNA LM-79-2008

Options

Dimming Capability: 0-10V. See LED-DIM specification sheet

Emergency Capability (Integral): Add "EM" suffix. See LED-EM spec sheet.

Emergency Capability (Inverter): See LED-LMI specification sheet

Labels

UL (suitable for wet locations), cUL, I.B.E.W.

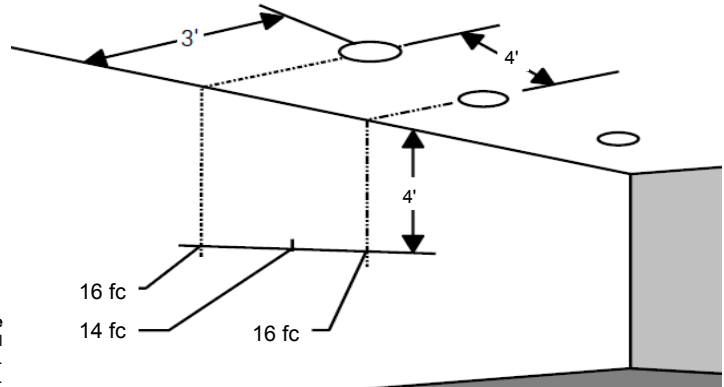
5 Year Warranty

Job Information	Type:
------------------------	--------------

PHILIPS
LIGHTOLIER

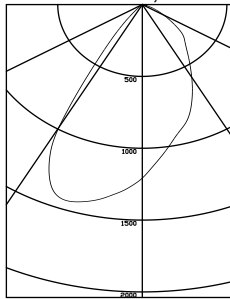
C7L1520WW

Calculite LED 7" Open Wall Washer



Lighting Data - Example
C7L1520WW30KCLW/C7L15N1 illumination on the wall 4' down from the ceiling is 16 f.c. beneath and 14 f.c. between fixtures.

1500LM LED, 3000K, CL FINISH TRIM



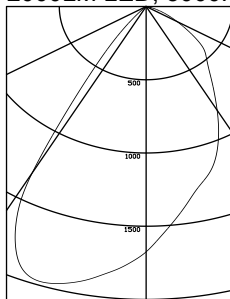
Trim:
C7L1520WW30KCLW
Frame:
C7L15N1
Reflector Finish:
Specular Clear
Correlated Color Temp¹:
3000K
Input Watts²:
26.6 w
CRI⁴:
78
CERTIFIED TEST REPORT NO. F10031³

Distance from ceiling in feet	Multiple Units - Footcandles On Wall			
	2' from Wall	3' On Center	3'	3' On Center
1	25	15	25	15
2	38	30	38	30
3	29	24	29	24
4	22	22	22	22
5	18	20	18	20
6	16	17	16	17
7	13	13	13	13
8	12	12	12	12
9	11	10	11	10
10	9	9	9	9
12	8	8	8	8
14	7	7	7	7

Distance from ceiling in feet	Multiple Units - Footcandles On Wall			
	3' from Wall	3' On Center	3'	3' On Center
1	9	8	9	8
2	20	19	20	19
3	24	23	24	23
4	21	20	21	20
5	18	18	18	18
6	16	16	16	16
7	14	14	14	14
8	13	13	13	13
9	12	12	12	12
10	11	11	11	11
12	9	9	9	9
14	8	8	8	8

Distance from ceiling in feet	Multiple Units - Footcandles On Wall			
	3' from Wall	4' On Center	4'	4' On Center
1	6	5	6	5
2	16	12	16	12
3	18	16	18	16
4	16	14	16	14
5	13	12	13	12
6	11	12	11	12
7	10	11	10	11
8	9	10	9	10
9	8	8	8	8
10	8	8	8	8
12	7	7	7	7
14	6	6	6	6

2000LM LED, 3000K, CL FINISH TRIM



Trim:
C7L1520WW30KCLW
Frame:
C7L20N1
Reflector Finish:
Specular Clear
Correlated Color Temp¹:
3000K
Input Watts²:
39.8 w
CRI⁴:
78
CERTIFIED TEST REPORT NO. F10032³

Distance from ceiling in feet	Multiple Units - Footcandles On Wall			
	2' from Wall	3' On Center	3'	3' On Center
1	35	21	35	21
2	53	40	53	40
3	40	34	40	34
4	32	32	32	32
5	25	28	25	28
6	22	23	22	23
7	19	19	19	19
8	17	16	17	16
9	15	14	15	14
10	13	13	13	13
12	11	11	11	11
14	10	10	10	10

Distance from ceiling in feet	Multiple Units - Footcandles On Wall			
	3' from Wall	3' On Center	3'	3' On Center
1	12	11	12	11
2	28	27	28	27
3	33	32	33	32
4	29	28	29	28
5	25	25	25	25
6	22	23	22	23
7	20	20	20	20
8	18	18	18	18
9	17	16	17	16
10	15	15	15	15
12	13	13	13	13
14	12	11	12	11

Distance from ceiling in feet	Multiple Units - Footcandles On Wall			
	3' from Wall	4' On Center	4'	4' On Center
1	9	7	9	7
2	23	17	23	17
3	25	22	25	22
4	22	19	22	19
5	19	17	19	17
6	16	16	16	16
7	14	15	14	15
8	13	13	13	13
9	12	12	12	12
10	11	11	11	11
12	9	9	9	9
14	8	8	8	8

¹ Correlated Color Temperature within specs as defined in ANSI_NEMA_ANSI C78.377-2008: Specifications for the Chromaticity of Solid-State Lighting Products.
² Wattage controlled to within 5%.
³ Tested using absolute photometry as specified in LM79: IESNA Approved Method for the Electrical and Photometric Measurements of Solid-State Lighting Products.
⁴ Color Rendering Index within +/- 2%.



Philips Lightolier
e: lol.webmaster@philips.com
t: (508) 679-8131
w: www.lightolier.com

C7L1520WW November 21, 2011

Specifications are subject to change without notice.
© Koninklijke Philips Electronics N.V., 2011. All rights reserved.

Job Information Type: