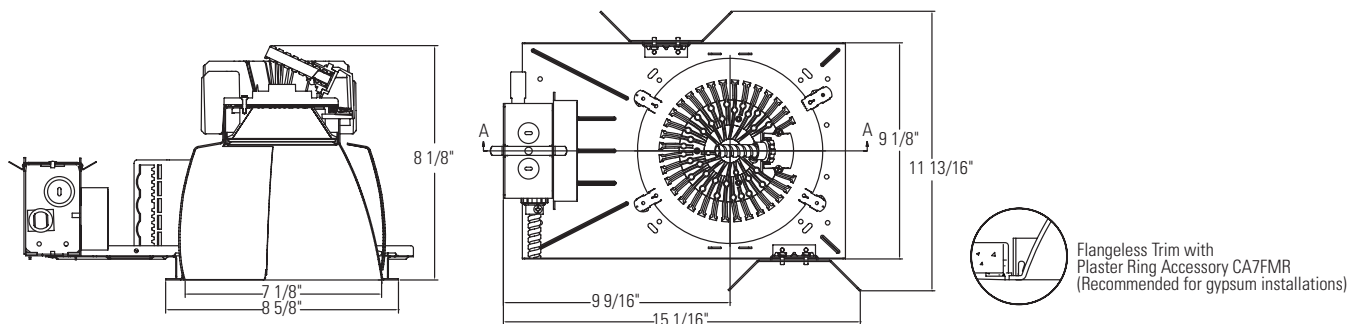


# C7L1520CW

## Calculite LED 7" Corner Wall Washer

Page 1 of 2



### Ordering Guide: Light Engines

Light Engine Series	Style	Color Temperature	Reflector Finish	Flange	Options
<b>C6L1520</b>	<b>CW</b> (Corner Wall Washer)	<b>27K</b> (2700K) <b>30K</b> (3000K) <b>35K</b> (3500K) <b>40K</b> (4000K)	<b>CL</b> (Clear) <b>CCL</b> (Comfort Clear) <b>CCD</b> (Comfort Clear Diffuse) <b>CCZ</b> (Champagne Bronze) <b>WH</b> (Painted White)	<b>W</b> (Painted white) <b>P</b> (Aperture-matching/polished) <b>FT</b> (Flush-mount/flangeless) <sup>1</sup>	<b>EM</b> (Integral emergency test switch)

Example: C7L1520CW35KCCLWEM

<sup>1</sup>Accessory CA7FMR recommended for gypsum applications. Reflector flange is 1/4".

### Ordering Guide: Frame-in Kits

Frame-in Kit Series	Installation Options	Input Voltage	Options
<b>C6L15</b> (1500 Lumen) <b>C6L20</b> (2000 Lumen)	<b>N</b> (New construction) <b>R</b> (Remodeler)	<b>1</b> (120V) <b>2</b> (277V)	<b>Blank</b> (0-10 volt dimming) <b>EM</b> (Emergency)

Example: C6L15N1EM

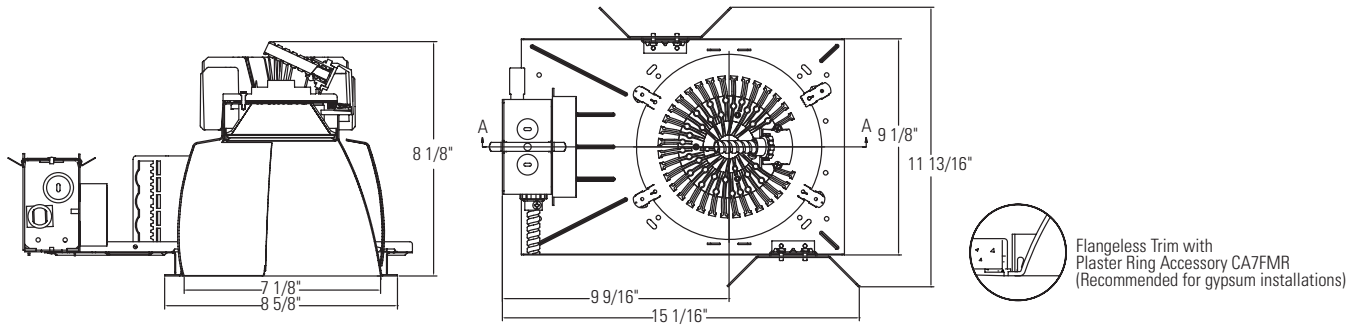
Job Information	Type:
Job Name:	
Cat. No.:	
Notes:	

**PHILIPS**  
**LIGHTOLIER**

# C7L1520CW

## Calculite LED 7" Corner Wall Washer

Page 2 of 2



### Features

**Aperture:** 7 1/8" (181mm) I.D., 8 5/8" (219mm) O.D.  
Input Wattage: 27W (1500 Lumens), 39W (2000 Lumens).  
Reflector Cone: Aluminum. Provides 50° cutoff to source & source image. Self-flanged.  
Depth (including Frame-in kit): 7 3/8" (186mm)  
Power Connection: Attaches to frame-in kit via push-in connector (on frame). Removable cover provides access.

### Technology

**LED Board:** Array of high brightness royal blue LED's.  
**Remote Phosphor Technology:** Remote phosphor technology provides increased efficiency and color consistency. Phosphor lens assembly positioned in front of LED array converts blue light to white. Color shift will not exceed +/- 100K over life.  
**Optical Mixing Chamber:** Lightolier-specific mixing chamber redirects back-reflected light through aperture resulting in 20% increase in efficiency.  
**Thermal Management:** Heat sink and thermal design along with clean room assembly ensures specified performance.

### Technology (continued)

**Rated Life:** Based on IESNA LM-80-2008  
1500 Lumen – 60,000 hours at 70% lumen maintenance.  
2000 Lumen – 57,000 hours at 70% lumen maintenance.  
**Photometric Performance:** Tested in accordance to IESNA LM-79-2008

### Options

**Dimming Capability:** 0-10V. See LED-DIM specification sheet  
Emergency Capability (Integral): Add "EM" suffix. See LED-EM spec sheet.  
Emergency Capability (Inverter): See LED-LMI specification sheet

### Labels

UL (suitable for wet locations), cUL, I.B.E.W.  
5 Year Warranty



Philips Lightolier  
e: lol.webmaster@philips.com  
t: (508) 679-8131  
w: www.lightolier.com

C7L1520CW November 21, 2011

Specifications are subject to change without notice.  
© Koninklijke Philips Electronics N.V., 2011. All rights reserved.

<b>Job Information</b>	<b>Type:</b>
------------------------	--------------