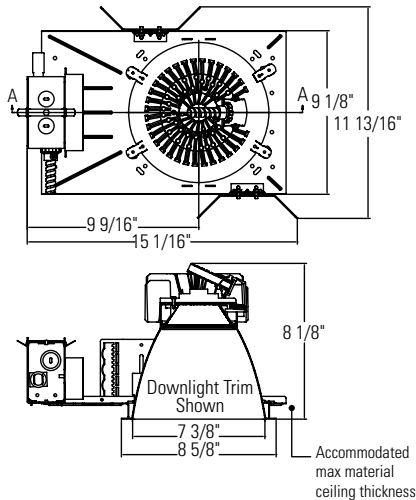


# C7L15/CUL15

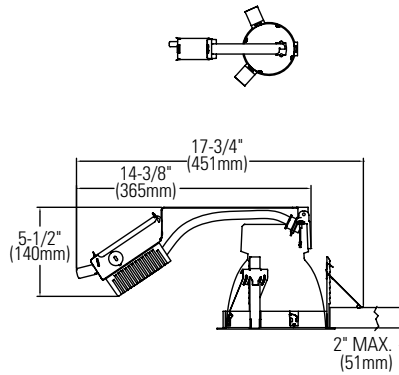
## Calculite LED 7" Frame-in Kit



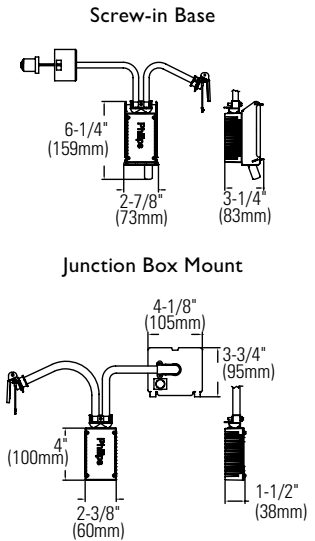
### New Construction Frames



### Remodeler Frames



### Retrofit Frames



### Ordering Guide: Frame-in Kits

Frame-in Kit Series	Installation Options	Input Voltage	Options
<b>C7L15</b> (1500 Lumen)	<b>N</b> (New construction)	<b>1</b> (120V)	<b>Blank</b> (0-10 volt dimming)
	<b>R</b> (Remodeler)	<b>2</b> (277V)	<b>EM</b> (Emergency)
<b>CUL15</b> (1500 Lumen)	<b>J</b> (J-box mount retrofit)	<b>1</b> (120V)	<b>Blank</b> (0-10 volt dimming)
	<b>S</b> (Screw-in base retrofit (120V only))	<b>2</b> (277V)	

Example: C7L15N1EM

Job Information	Type:
Job Name:	
Cat. No.:	
Notes:	

**PHILIPS**  
**LIGHTOLIER**

# C7L15/CUL15

## Calculite LED 7" Frame-in Kit

Page 2 of 2

### Features

**Ceiling Cutout:** 8" (203mm)

**Depth (including Light Engine):** See Light Engine specification sheet for details.

**Power Connection:** Attaches to light engine via push-in connector (on frame). Removable cover provides access.

**Junction Box:** UL listed for 8 No. 12 AWG, 90°C through branchcircuit connectors. Allows inspection from below.

**Thermal Protector:** Meets NEC & UL requirements. Do not install insulation above nor within 3" of any part of luminaire.

#### New construction frame

**Mounting Frame:** Galvanized stamped steel for dry or plaster ceilings.

**Vertical Adjustment:** Light engine adjusts in frame below ceilings up to 1/8".

**Mounting Brackets:** Galvanized Steel. Adjustable through aperture. Use 3/4" or 1 1/2" lathing channel, 1/2" EMT or optional mounting bars.

#### Remodeler frame

**Compatibility:** All products except lensed wall washer.

**Power Pack:** Swivel junction box for tight plenum spaces. Snap-off covers permits wiring from top.

**Spring Holder:** Galvanized steel. Accepts up to 2 1/2" (64mm) ceiling thickness.

#### Retrofit frame

**Compatibility:** Wide beam downlight only.

**Capability (Screw-in):** Converts 6" (153mm) or 7" (178mm) Lightolier incandescent frame-in kit without additional wiring using existing Calculite E26 base.

**Capability (J-Box Mount):** Converts 6" (153mm) or 7" (178mm) Lightolier incandescent, compact fluorescent or HID frame-in kit using junction box.

**Socket Cup Support:** Spun steel. Holds Calculite incandescent socket cup.

**Socket Extender:** Phenolic E26 base. Connect to existing lampholder.

### Electrical

**Electronic Power Supply:** 120 or 277V, 50/60Hz, encased, overload and short circuit protected, thermal regulation to protect against overheating, sound rating "A", -20°C minimum starting temperature, 70°C maximum operating temperature, dimmable with 0-10V dimmer.



Input Voltage	Input Frequency	Input Current	LED Drive Current	Input Power	LED Power	THD	Power Factor
120V	50/60Hz	0.25	350mA	27W	23.1W	<1%	>0.9
277V	50/60Hz	0.11	350mA	27W	23.1W	<1%	>0.9

**Rated Life:** 100,000 hours

### Options and Accessories

**Dimming Capability:** 0-10V. See LED-DIM specification sheet

**Emergency Capability (Integral):** Add "EM" suffix. See LED-EM spec sheet.

**Emergency Capability (Inverter):** See LED-LMI specification sheet

**Sloped Ceilings:** See specification sheet SCA.

**Mounting Bars:** 1950-18" Set of (2)  
1951-27" Set of (2)

**T-Bar Anchor Clips:** 1956-Set of (4), for use with above

### Labels

UL, cUL, I.B.E.W.

5 Year Warranty



Philips Lightolier  
e: lol.webmaster@philips.com  
t: (508) 679-8131  
w: www.lightolier.com

C7L15-CUL15 October 25, 2011

Specifications are subject to change without notice.  
© Koninklijke Philips Electronics N.V., 2011. All rights reserved.

<b>Job Information</b>	<b>Type:</b>
------------------------	--------------