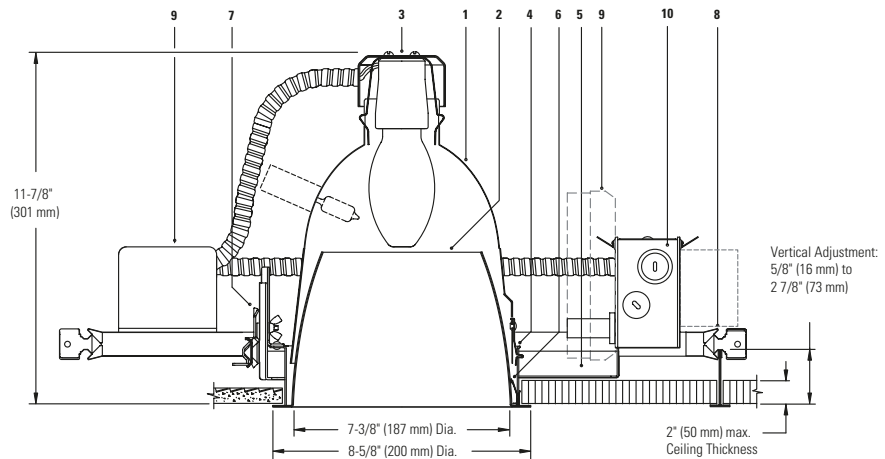
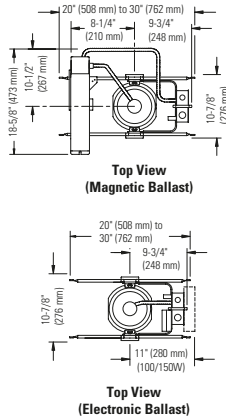




# Calculite® HID Downlight C7E170VW



Ceiling Cutout: 8" (203 mm) Dia.

Reflector Trim	Frame-In Kit	Lamp (Coated, Ceramic MH)
<b>C7E170VW CLW</b> Specular Clear, White Painted Flange.	<b>C770MH0E1</b> Electronic 120V / <b>C770MH0E2</b> Electronic 277V	70W E17, ED17, BD17 (Open Rated)
<b>CLP</b> Specular Clear, Matching Flange.	<b>C710MH0E1</b> Electronic 120V / <b>C710MH0E2</b> Electronic 277V	100W E17, ED17, BD17 (Open Rated)
<b>CCDW</b> Comfort Clear Diffuse, White Painted Flange.	<b>C715MH0E1</b> Electronic 120V / <b>C715MH0E2</b> Electronic 277V	150W E17, ED17, BD17 (Open Rated)
<b>CCDP</b> Comfort Clear Diffuse, Matching Flange.	<b>C770MH0U</b> Magnetic 120V/277V	70W E17, ED17, BD17 (Open Rated)
<b>CCZW</b> Champagne Bronze, White Painted Flange.	<b>C710MH0U</b> Magnetic 120V/277V	100W E17, ED17, BD17 (Open Rated)
<b>CCZP</b> Champagne Bronze, Matching Flange.	<b>C715MH0U</b> Magnetic 120V/277V	150W E17, ED17, BD17 (Open Rated)

## Features

- Upper Reflector:** Clear anodized aluminum, 0.040" (16-ga.). Provides wide beam distribution.
- Aperture Cone:** Provides 50° visual cut-off to lamp and lamp image; self-flange in painted white or aperture-matching polished flange. Consult factory for other finishes.
- Socket Cup:** Galvanized steel, pre-wired with medium base pulse rated socket. Snaps onto upper reflector for secure attachment without tools; unitized construction assures proper lamp alignment to optics for consistent performance.
- Mounting Ring:** 0.048" (18-ga.) galvanized steel. Designed for vertical adjustment from above or below. For ceiling from 0" to 2" thick. Center line notches allow consistent alignment of multiple fixtures.
- Mounting Frame:** 0.048" (18-ga.) galvanized steel includes pre-installed mounting bars.
- Aperture Cone Retention Springs:** Rust resistant springs secure cone in place for quick, tool-less installation.
- Frame Vertical Adjustment Mechanism:** Vertical adjustment mechanism accommodates mounting to virtually any ceiling system using pre-installed mounting bars, or 1/2" EMT tubing (by others). Single locking feature secures all adjustments. Alignment holes and markings allow fixture to be pre-set prior to installation.
- Mounting Bars:** 0.048" (18-ga.) Pre-installed, telescoping bars extend to 30" long and lock securely into position. Built-in locking tabs provide positive attachment to common T-bar systems. Self-centering feature simplifies installation in 24" O.C. grid systems. Attaches to steel or wood joists without accessories.
- Ballast:** Electronic 120V or 277V. Magnetic dual voltage (120V & 277V). Accessible from below for inspection and/or replacement without tools.
- Junction Box:** 0.048" (18-ga.) galvanized steel. UL listed for 8 No. 12 AWG, 90°C through branch circuit conductors; allows inspection from below.
- Thermal Protector:** (Not Shown) Meets NEC and UL requirements. Do not install insulation above nor within 3" (76mm) of any part of the luminaire.

## Electrical

**Electronic Ballast:** 120 or 277V, 50/60 Hz., enclosed, high power factor, T.H.D. <15%, thermally and transient protected, RMI/RFI complies with FCC Part 18 non-consumer limits, shut-down circuit at end of lamp life, sound rating "A", -5°F minimum starting temperature, Type 1 Outdoor rating.

## Electrical (cont.)

Ballast	ANSI Code	Voltage	Max. Amps	Input Watts
70W MH	M98/M139	120/277	0.67/0.29	78
100W MH	M90/M140	120/277	0.90/0.43	110
150MH	M102	120/277	1.40/0.61	167

**Magnetic Ballast:** 120/277V dual voltage, 60 Hz., encased and potted, HX-HPF circuit type, high power factor, sound rating "B", -20°F minimum starting temperature, Type 1 Outdoor rating.

Ballast	ANSI Code	Voltage	Max. Amps	Input Watts
70W MH	M98/M143	120/277	1.90/0.80	94
100W MH	M90/M140	120/277	2.40/1.10	125
150MH	M102	120/277	3.70/1.60	180

## Options and Accessories

**Auxiliary:** Add suffix **A** to Frame-In Kit and Reflector Trim. See Spec. Sheet "A/E"  
**Emergency Lamp:** Add suffix **E** to Frame-In Kit and Reflector Trim. See Spec. Sheet "A/E"

**Slope Ceiling Adapters:** See Specification Sheet SCA.

**Fuse** (magnetic ballast): Add suffix **F1** or **F2** to Frame-In Kit (F1=120V, F2=277V)

**Chicago Plenum:** Consult Factory.

## Labels

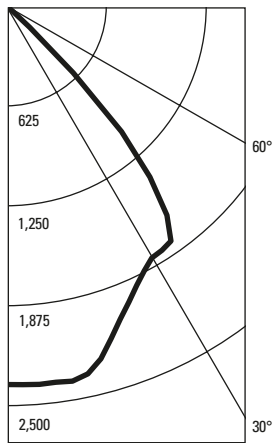
UL (Suitable for Damp Locations), CSA, I.B.E.W. For 150W, install fixtures with minimum spacing: 3 feet from center-to-center of adjacent luminaires; 3 inch from top of luminaire to overhead building member; 1 1/2 feet from luminaire center to side building member.

Job Information	Type:
Job Name:	
Cat. No.:	
Lamp(s):	
Notes:	

LIGHTOLIER®



### 70W ED17 PHILIPS CMH LAMP, LUMEN RATING = 5700 LMS, AROMAT ELECTRONIC BALLAST, CL FINISH REFLECTOR TRIM



ANGLE	MEAN CP	LUMENS	LUMINANCE SUMMARY - CD. / SQ. M.
ANGLE	MEAN CD/SQ M		
0	2368		33868
5	2376	227	45
10	2383		55
15	2285	640	65
20	2084		75
25	1929	898	85
30	1820		0
35	1795	1069	0
40	1397		
45	592	510	
50	51		
55	10	17	
60	5		
65	2	2	
70	0		
75	0	0	
80	0		
85	0	0	
90	0		

ZONAL LUMENS AND PERCENTAGES			
ZONE	LUMENS	% LAMP	% LUMINAIRE
0-30	1765	30.97	52.49
0-40	2834	49.73	84.27
0-60	3361	58.97	99.93
0-90	3363	59.01	100
40-90	529	9.28	15.73
60-90	2	0.04	0.07
90-180	0	0	0
0-180	3363	59.01	100

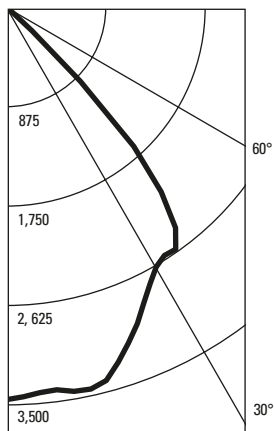
Coefficients of Utilization												
CEILING	80%			70%			50%			30%		
	70	50	30	10	50	10	50	10	50	10	0	
WALL	0											
RCR	Zonal Cavity Method - Effective Floor Cavity Reflectance = 20%											
0	.70	.70	.70	.70	.69	.69	.66	.66	.63	.63	.59	
1	.67	.65	.64	.63	.64	.62	.62	.60	.60	.58	.55	
2	.64	.61	.59	.57	.60	.56	.58	.55	.57	.54	.52	
3	.61	.57	.54	.52	.56	.52	.55	.51	.53	.50	.48	
4	.58	.53	.50	.48	.53	.47	.52	.47	.50	.46	.45	
5	.55	.50	.46	.44	.49	.44	.48	.43	.47	.43	.42	
6	.52	.47	.43	.41	.46	.40	.45	.40	.44	.40	.39	
7	.49	.43	.40	.37	.43	.37	.42	.37	.41	.36	.35	
8	.46	.40	.36	.34	.39	.34	.39	.34	.38	.33	.32	
9	.43	.37	.33	.31	.37	.31	.36	.31	.36	.30	.29	
10	.40	.34	.30	.28	.34	.28	.33	.28	.33	.28	.27	

LUMINAIRE INPUT WATTS = 78.0

\*\* EFFICIENCY = 59.0% \*\*  
SC = 1.2

CERTIFIED TEST REPORT NO. 2373FR, DATE: FEB 10, 2004  
COMPUTED BY LSI PROGRAM \*\*TEST-LITE\*\*

### 100W ED17- PHILIPS CMH LAMP, LUMEN RATING = 8500 LMS, AROMAT ELECTRONIC BALLAST, CL FINISH REFLECTOR TRIM



ANGLE	MEAN CP	LUMENS	LUMINANCE SUMMARY - CD. / SQ. M.
ANGLE	MEAN CD/SQ M		
0	3454		52847
5	3405	327	45
10	3433		55
15	3401	948	65
20	3144		75
25	2867	1333	85
30	2639		0
35	2600	1564	0
40	2121		
45	924	784	
50	78		
55	9	22	
60	1		
65	0	0	
70	0		
75	0	0	
80	0		
85	0	0	
90	0		

ZONAL LUMENS AND PERCENTAGES			
ZONE	LUMENS	% LAMP	% LUMINAIRE
0-30	2607	30.68	52.39
0-40	4171	49.08	83.81
0-60	4977	58.56	99.99
0-90	4977	58.56	100
40-90	805	9.48	16.19
60-90	0	0	0.01
90-180	0	0	0
0-180	4977	58.56	100

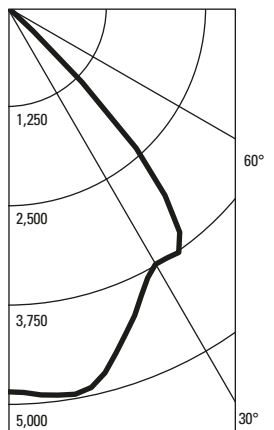
Coefficients of Utilization												
CEILING	80%			70%			50%			30%		
	70	50	30	10	50	10	50	10	50	10	0	
WALL	0											
RCR	Zonal Cavity Method - Effective Floor Cavity Reflectance = 20%											
0	.70	.70	.70	.70	.68	.68	.65	.65	.62	.62	.59	
1	.67	.65	.64	.62	.64	.61	.61	.59	.59	.58	.55	
2	.63	.61	.59	.57	.60	.56	.58	.55	.56	.54	.52	
3	.60	.57	.54	.52	.56	.51	.54	.50	.53	.50	.48	
4	.57	.53	.50	.47	.52	.47	.51	.47	.50	.46	.45	
5	.54	.49	.46	.43	.49	.43	.48	.43	.47	.43	.41	
6	.51	.46	.43	.40	.46	.40	.45	.40	.44	.39	.38	
7	.48	.43	.39	.37	.42	.36	.42	.36	.41	.36	.35	
8	.45	.40	.36	.34	.39	.33	.39	.33	.38	.33	.32	
9	.43	.37	.33	.30	.36	.30	.36	.30	.35	.30	.29	
10	.40	.34	.30	.28	.33	.28	.33	.28	.33	.27	.27	

LUMINAIRE INPUT WATTS = 110

\*\* EFFICIENCY = 58.6% \*\*  
SC = 1.1

CERTIFIED TEST REPORT NO. 2374FR, DATE: FEB 10, 2004  
COMPUTED BY LSI PROGRAM \*\*TEST-LITE\*\*

### 150W ED17- PHILIPS CMH LAMP, LUMEN RATING = 11900 LMS, AROMAT ELECTRONIC BALLAST, CL FINISH REFLECTOR TRIM



ANGLE	MEAN CP	LUMENS	LUMINANCE SUMMARY - CD. / SQ. M.
ANGLE	MEAN CD/SQ M		
0	4841		76396
5	4899	467	45
10	4947		55
15	4765	1336	65
20	4373		75
25	4003	1865	85
30	3737		0
35	3769	2257	0
40	3096		
45	1336	1139	
50	116		
55	21	37	
60	9		
65	2	3	
70	0		
75	0	0	
80	0		
85	0	0	
90	0		

ZONAL LUMENS AND PERCENTAGES			
ZONE	LUMENS	% LAMP	% LUMINAIRE
0-30	3688	30.83	51.63
0-40	5925	49.79	83.4
0-60	7101	59.68	99.95
0-90	7104	59.7	100
40-90	1179	9.91	16.6
60-90	3	0.03	0.05
90-180	0	0	0
0-180	7104	59.7	100

Coefficients of Utilization												
CEILING	80%			70%			50%			30%		
	70	50	30	10	50	10	50	10	50	10	0	
WALL	0											
RCR	Zonal Cavity Method - Effective Floor Cavity Reflectance = 20%											
0	.71	.71	.71	.71	.69	.69	.66	.66	.64	.64	.60	
1	.68	.66	.65	.63	.65	.62	.62	.61	.60	.59	.56	
2	.65	.62	.60	.58	.61	.57	.59	.56	.57	.55	.52	
3	.61	.58	.55	.52	.57	.52	.55	.51	.54	.50	.49	
4	.58	.54	.51	.48	.53	.48	.52	.47	.51	.47	.45	
5	.55	.50	.47	.44	.50	.44	.48	.44	.48	.43	.42	
6	.52	.47	.43	.41	.46	.40	.45	.40	.45	.40	.39	
7	.49	.43	.40	.37	.43	.37	.42	.37	.41	.37	.36	
8	.46	.40	.36	.34	.40	.34	.39	.34	.39	.33	.32	
9	.43	.37	.33	.31	.37	.31	.36	.31	.36	.30	.29	
10	.40	.34	.30	.28	.34	.28	.33	.28	.33	.28	.27	

LUMINAIRE INPUT WATTS = 167

\*\* EFFICIENCY = 59.7% \*\*  
SC = 1.2

CERTIFIED TEST REPORT NO. 2375FR, DATE: FEB 10, 2004  
COMPUTED BY LSI PROGRAM \*\*TEST-LITE\*\*

Job Information Type:

Lightolier a Genlyte Thomas Company www.lightolier.com  
631 Airport Road, Fall River, MA 02720 • (508) 679-8131 • Fax (508) 674-4710  
We reserve the right to change details of design, materials and finish.  
© 2004 Genlyte Thomas Group LLC (Lightolier Division) • A0504

LIGHTOLIER®