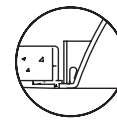
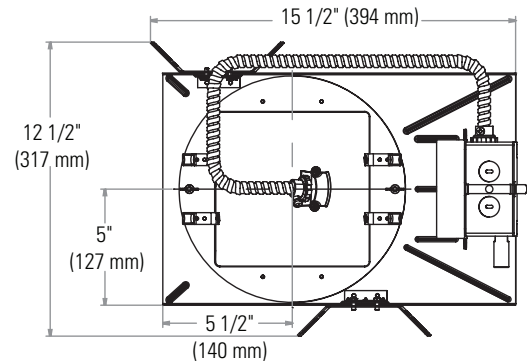
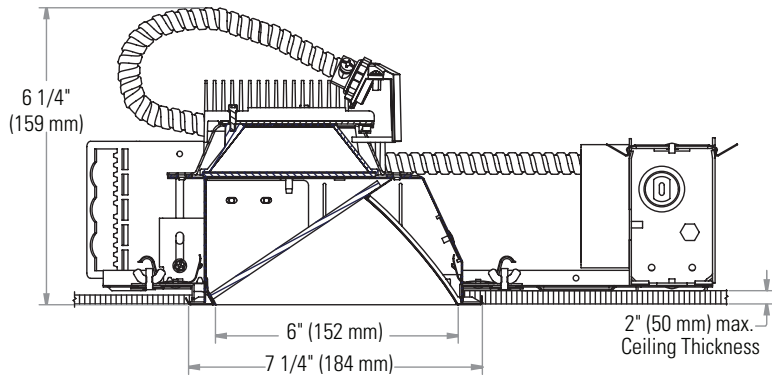


C6X6L1520WW

Calculite LED 6"x6" Square Wall Washer

Page 1 of 3



Flangeless Trim with
Plaster Ring Accessory CA6X6FMR
(Recommended for gypsum installations)

Ordering Guide: Light Engines

Light Engine Series	Style	Color Temperature	Reflector Finish	Flange	Options
C6X6L1520	WW Wall Washer	27K (2700K) 30K (3000K) 35K (3500K) 40K (4000K)	CL (Clear) CCL (Comfort Clear) CCD (Comfort Clear Diffuse) CCZ (Champagne Bronze) WH (Painted White)	W (Painted white) P (Aperture-matching/polished) FT (Flush-mount/flangeless) ¹	EM (Integral emergency test switch)

Example: C6L1520WW35KCCLWEM

¹Accessory CA6X6FMR recommended for gypsum applications. Reflector flange is 1/4".

Ordering Guide: Frame-in Kits

Frame-in Kit Series	Installation Options	Input Voltage	Options
C6X6L15 (1500 Lumen) C6X6L20 (2000 Lumen)	N (New construction)	1 (120V) 2 (277V)	Blank (0-10 volt dimming) EM (Emergency)

Example: C6X6L15N1EM

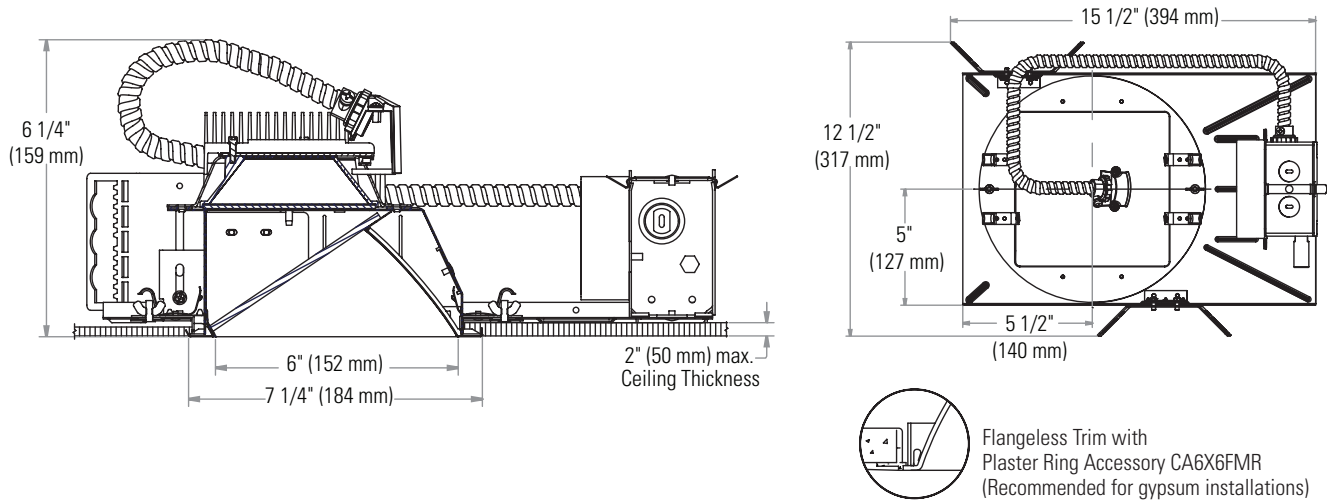
Job Information	Type:
Job Name:	
Cat. No.:	
Notes:	

PHILIPS
LIGHTOLIER

C6X6L1520WW

Calculite LED 6"x6" Square Wall Washer

Page 2 of 3



Features

Aperture: 6"x6" (152mm) I.D., 7 1/4" (184mm) O.D.

Input Wattage: 27W (1500 Lumens), 39W (2000 Lumens).

Reflector Cone: Aluminum. Provides 50° cutoff to source & source image. Self-flanged.

Depth (including Frame-in kit): 7 1/4" (184mm)

Power Connection: Attaches to frame-in kit via push-in connector (on frame). Removable cover provides access.

Technology

LED Board: Array of high brightness royal blue LED's.

Remote Phosphor Technology: Remote phosphor technology provides increased efficiency and color consistency. Phosphor lens assembly positioned in front of LED array converts blue light to white. Color shift will not exceed +/- 100K over life.

Optical Mixing Chamber: Lightolier-specific mixing chamber redirects back-reflected light through aperture resulting in 20% increase in efficiency.

Thermal Management: Heat sink and thermal design along with clean room assembly ensures specified performance.

Technology (continued)

Rated Life: Based on IESNA LM-80-2008

1500 Lumen – 60,000 hours at 70% lumen maintenance.

2000 Lumen – 57,000 hours at 70% lumen maintenance.

Photometric Performance: Tested in accordance to IESNA LM-79-2008

Options

Dimming Capability: 0-10V. See LED-DIM specification sheet

Emergency Capability (Integral): Add "EM" suffix. See LED-EM spec sheet.

Emergency Capability (Inverter): See LED-LMI specification sheet

Labels

UL (suitable for wet locations), cUL, I.B.E.W.

5 Year Warranty

Job Information	Type:
------------------------	--------------

PHILIPS

LIGHTOLIER

C6X6L1520WW

Calculite LED 6"x6" Square Wall Washer

Correlated Color Temperature (CCT) Multipliers

2700K (x 0.92), **3000K** (x 1.00), **3500K** (x 1.07), **4000K** (x 1.14)

Reflector Finish Multipliers

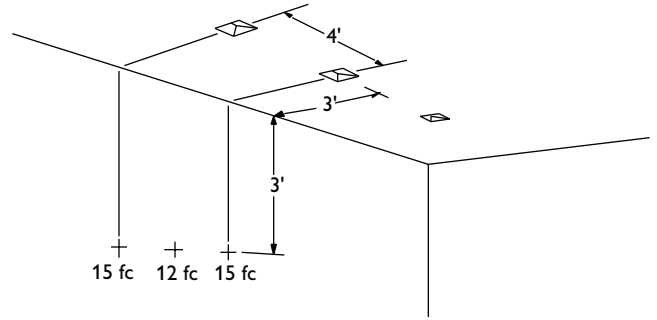
CL (x 1.00), **CCL** (x 0.94), **CCD** (x 0.93), **CCZ** (x 0.76), **WH** (x 0.82)

— **CL** & **CCD** finishes are tested. **CCL**, **CCZ** & **WH** are calculated.

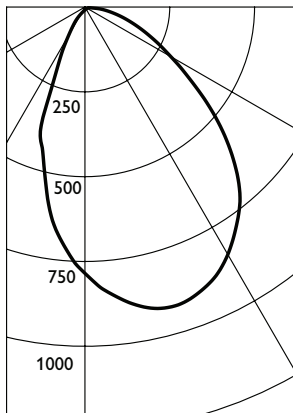
Lighting Data - Example

C6X6L1520WW30KCLW/C6X6L15N1

illumination on the wall 4' down from the ceiling is
23 f.c. beneath and 21 f.c. between fixtures.



1500 LM, 3000K, CL FINISH TRIM



Trim:
C6X6L1520WW30KCLW

Frame:
C6X6L15N1

Reflector Finish:
Specular Clear

Correlated Color
Temp¹:3000K

Input Watts²: 25.9w

CRI⁴: 78

CERTIFIED
TEST REPORT NO.
F10168³

Multiple Units - Footcandles On Wall

3' from Wall - 3' On Center

Distance from Ceiling in Feet	3'		
	1	2	3
1	17	14	17
2	29	26	29
3	33	32	33
4	30	30	30
5	25	24	25
6	20	20	20
7	16	16	16
8	14	13	14
9	11	11	11
10	10	10	10
12	8	8	8
14	7	7	7

Multiple Units - Footcandles On Wall

3' from Wall - 4' On Center

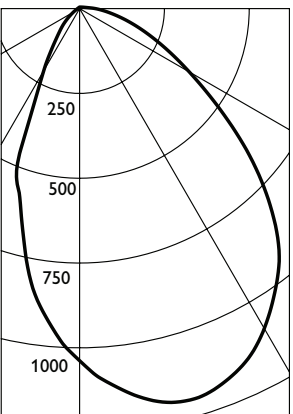
Distance from Ceiling in Feet	3'		
	1	2	3
1	14	8	14
2	24	16	24
3	27	21	27
4	23	21	23
5	18	18	18
6	15	15	15
7	12	12	12
8	10	10	10
9	8	8	8
10	7	7	7
12	5	5	5
14	5	5	5

Multiple Units - Footcandles On Wall

4' from Wall - 4' On Center

Distance from Ceiling in Feet	3'			
	1	2	3	4
1	7	6	7	7
2	13	11	13	13
3	18	16	18	18
4	19	19	19	19
5	18	18	18	18
6	15	15	15	15
7	13	13	13	13
8	11	11	11	11
9	10	10	10	10
10	9	9	9	9
12	7	7	7	7
14	6	6	6	6

2000 LM, 3000K, CL FINISH TRIM



Trim:
C6X6L1520WW30KCLW

Frame:
C6X6L20N1

Reflector Finish:
Specular Clear

Correlated
Color Temp¹:
3000K

Input Watts²:
38.5 w

CRI⁴: 78

CERTIFIED
TEST REPORT NO.
F10167³

Multiple Units - Footcandles On Wall

3' from Wall - 3' On Center

Distance from Ceiling in Feet	3'		
	1	2	3
1	23	19	23
2	40	35	40
3	46	45	46
4	41	41	41
5	34	34	34
6	27	27	27
7	22	22	22
8	19	19	19
9	16	16	16
10	14	14	14
12	11	11	11
14	9	9	9

Multiple Units - Footcandles On Wall

3' from Wall - 4' On Center

Distance from Ceiling in Feet	3'		
	1	2	3
1	20	11	20
2	34	22	34
3	37	30	37
4	31	29	31
5	25	25	25
6	20	20	20
7	16	16	16
8	13	13	13
9	11	11	11
10	10	10	10
12	8	8	8
14	6	6	6

Multiple Units - Footcandles On Wall

4' from Wall - 4' On Center

Distance from Ceiling in Feet	3'			
	1	2	3	4
1	10	8	10	10
2	18	16	18	18
3	24	22	24	24
4	26	25	26	26
5	24	24	24	24
6	21	21	21	21
7	18	18	18	18
8	16	16	16	16
9	14	14	14	14
10	12	12	12	12
12	9	9	9	9
14	8	8	8	8



Philips Lightolier
e: lol.webmaster@philips.com
t: (508) 679-8131
w: www.lightolier.com

C6X6L1520WW January 13, 2012

Specifications are subject to change without notice.
© Koninklijke Philips Electronics N.V., 2012. All rights reserved.

Job Information Type: