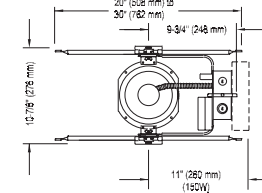
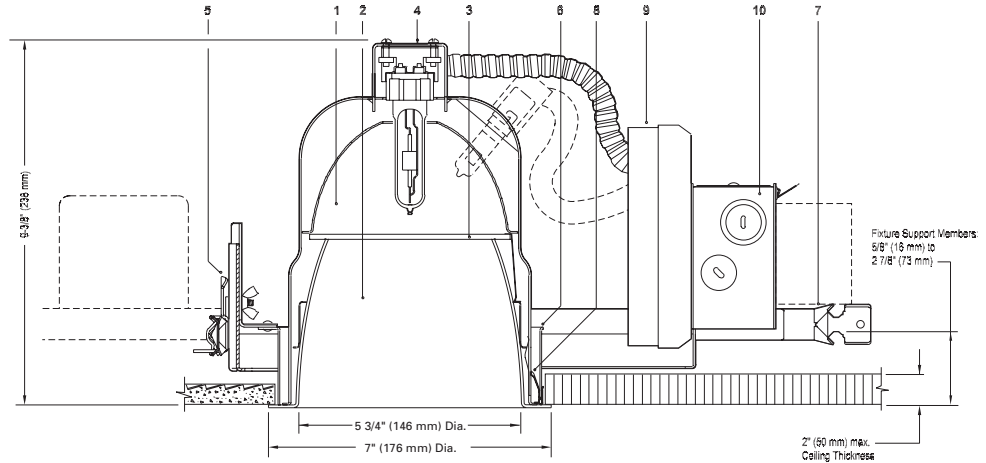


Top View: Magnetic Ballast



Top View: Electronic Ballast
Ceiling Cutout: 6 9/16" (167 mm) Dia.



Reflector Trim

C6T6VN	CLW	Specular Clear, White Painted Flange.
	CLP	Specular Clear, Matching Flange.
	CCDW	Comfort Clear Diffuse, White Painted Flange.
	CCDP	Comfort Clear Diffuse, Matching Flange.
	CCZW	Champagne Bronze, White Painted Flange.
	CCZP	Champagne Bronze, Matching Flange.

Frame-In Kit

C639T6E1	Electronic 120V	39W T6	Ceramic Metal Halide
C639T6E2	Electronic 277V	39W T6	Ceramic Metal Halide
C670T6E1	Electronic 120V	70W T6	Ceramic Metal Halide
C670T6E2	Electronic 277V	70W T6	Ceramic Metal Halide
C615T6E1	Electronic 120V	150W T6	Ceramic Metal Halide
C615T6E2	Electronic 277V	150W T6	Ceramic Metal Halide
C615T6U	Magnetic 120V/277V	150W T6	Ceramic Metal Halide

Lamp

Features

- Upper Reflector:** Clear anodized aluminum, 0.040" (16-ga.). Provides narrow beam optics ideal for high ceilings. Also available in medium and wide beam, see C4T4VM and C4T4VW specification sheets.
- Aperture Cone:** Provides 50° visual cut-off to lamp and lamp image; self-flange in painted white or aperture-matching polished flange. Consult factory for other finishes.
- Lamp Shield:** High-temperature glass as required by code, captive during re-lamping. Light diffusion provides exceptionally smooth beam.
- Socket Housing:** Galvanized steel, pre-wired with G12 pulse rated socket. Snaps onto upper reflector for secure attachment without tools; assures proper lamp alignment to optics for consistent performance.
- Mounting Frame:** 0.048" (18-ga.) galvanized steel. Vertical adjustment mechanism accommodates mounting to virtually any ceiling system using mounting bars (provided, or 1/2" EMT tubing (by others). Single locking feature secures all adjustments. Alignment holes and markings allow fixture to be preset prior to installation.
- Mounting Ring:** 0.048" (18-ga.) galvanized steel. Designed for vertical adjustment from above or below for ceilings from 0" to 2" thick. Center-line notches allow consistent alignment of multiple fixtures.
- Mounting Bars:** 0.048" (18-ga.) pre-installed, telescoping bars extend to 30" long and lock securely into position. Built-in locking tabs provide positive attachment to common T-bar systems. Self-centering feature simplifies installation in 24" O.C. grid systems. Attaches to steel or wood joists without accessories.
- Trim Retention Springs:** Rust resistant springs secure reflector/housing for quick, tool-less installation.
- Ballast / Socket Housing / Cover Assembly:** Snaps onto junction box without tools for inspection and ballast replacement, accessible from below.
- Junction Box:** 0.048" (18-ga.) galvanized steel. UL listed for 8 No. 12 AWG, 90°C through branch circuit conductors. Allows inspection from below.
- Thermal Protector:** (Not Shown) Meets NEC and UL requirements. Do not install insulation above nor within 3" (76mm) of any part of the luminaire.

Electrical

Electronic Ballast: 120 or 277V, 50/60 Hz., enclosed, high power factor, T.H.D. <15%, thermally and transient protected, RMI/RFI complies with FCC Part 18 non-consumer equipment, shut-down circuit at end of lamp life, sound rating "A", -5°F (-20°F for 150W) minimum starting temperature, Type 1 outdoor rating.

Electrical (cont.)

150W Magnetic Ballast: 120/277V dual voltage, 60 Hz., enclosed and potted, HX-HPF circuit type, high power factor, sound rating "B", -20°F minimum starting temperature, Type 1 Outdoor rating.

Ballast	ANSI Code	Voltage	Max. Amps	Input Watts
39W MH	M130	120/277	0.39/0.17	44
70W MH	M139	120/277	0.67/0.29	78
150W MH	M142	120/277	1.40/0.60	169/166
*150W MH	M142	120/277	3.70/1.60	180

*Magnetic Ballast

Options and Accessories

Auxiliary: Add suffix **A** to Frame-In Kit and Reflector Trim. See Spec. Sheet "A/E". For 277 electronic consult factory

Emergency: Add suffix **E** to Reflector Trim and Frame-In Kit. See Spec. Sheet "A/E".

Slope Ceiling Adapters: See Specification Sheet SCA.

Chicago Plenum: Consult Factory.

Labels

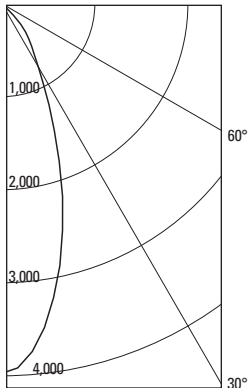
cULus (Suitable for Damp Locations), I.B.E.W. For 150W, install fixtures with minimum spacing; 3 feet from center-to center of adjacent luminaires, 3" from top of luminaire to overhead building member; 1 1/2 feet from luminaire center to side building member.

Job Information	Type:
Job Name:	
Cat. No.:	
Lamp(s):	
Notes:	

631 Airport Road, Fall River, MA 02720 • (508) 679-8131 • Fax (508) 674-4710
We reserve the right to change details of design, materials and finish.
www.lightolier.com © 2012 Philips Group • C0312

39W T6 PHILIPS METAL HALIDE LAMP. LUMEN RATING = 3400 LMS. AROMAT ELECTRONIC BALLAST, CL Finish

CANDLEPOWER DISTRIBUTION



ANGLE	MEAN CP	LUMENS
0	3984	
5	3765	352
10	3218	
15	2533	716
20	1816	
25	1212	583
30	795	
35	570	368
40	407	
45	189	155
50	14	
55	2	4
60	0	
65	0	0
70	0	
75	1	1
80	0	
85	0	0
90	0	

LUMINANCE SUMMARY	
ANGLE	MEAN CD/SQ M
45	16034
55	175
65	0
75	162
85	0

ZONAL LUMENS AND PERCENTAGES			
ZONE	LUMENS	% LAMP	% LUMINAIRE
0-30	1650	48.53	75.77
0-40	2017	59.35	92.67
0-60	2176	64.02	99.96
0-90	2177	64.05	100.00
40-90	159	4.70	7.33
60-90	0	.02	.04
90-180	0	.00	.00
0-180	2177	64.05	100.00

Coefficients of Utilization

CEILING	80%				70%		50%		30%		0
	70	50	30	10	50	10	50	10	50	10	
WALL	Zonal Cavity Method - Effective Floor Cavity Reflectance = 20%										
RCR											
0	.76	.76	.76	.76	.74	.74	.71	.71	.68	.68	.64
1	.73	.72	.71	.70	.71	.68	.68	.66	.66	.64	.61
2	.71	.68	.66	.65	.67	.64	.65	.63	.63	.61	.59
3	.68	.65	.63	.61	.64	.60	.63	.59	.61	.58	.57
4	.66	.62	.59	.57	.61	.57	.60	.56	.59	.56	.54
5	.63	.59	.56	.54	.59	.54	.57	.53	.57	.53	.52
6	.61	.57	.54	.52	.56	.51	.55	.51	.55	.51	.50
7	.59	.54	.51	.49	.54	.49	.53	.49	.52	.48	.47
8	.57	.52	.49	.47	.51	.46	.51	.46	.50	.46	.45
9	.54	.49	.46	.44	.49	.44	.48	.44	.48	.44	.43
10	.52	.47	.44	.42	.47	.42	.46	.42	.46	.42	.41

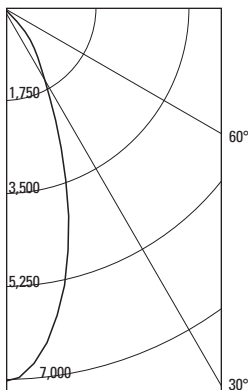
LUMINAIRE INPUT WATTS = 44

** EFFICIENCY = 64.0% **
SC = 0.6

CERTIFIED TEST REPORT NO. 2336FR, DATE: OCT 24, 2003
COMPUTED BY LSI PROGRAM **TEST-LITE**

70W T6 PHILIPS METAL HALIDE LAMP. LUMEN RATING = 6600 LMS. AROMAT ELECTRONIC BALLAST, CL Finish

CANDLEPOWER DISTRIBUTION



ANGLE	MEAN CP	LUMENS
0	7054	
5	6730	630
10	5887	
15	4740	1334
20	3463	
25	2357	1129
30	1584	
35	1148	737
40	812	
45	377	310
50	33	
55	7	11
60	4	
65	2	2
70	0	
75	0	0
80	0	
85	0	0
90	0	

LUMINANCE SUMMARY	
ANGLE	MEAN CD/SQ M
45	31949
55	688
65	350
75	0
85	0

ZONAL LUMENS AND PERCENTAGES			
ZONE	LUMENS	% LAMP	% LUMINAIRE
0-30	3093	46.88	74.48
0-40	3830	58.04	92.22
0-60	4151	62.91	99.95
0-90	4153	62.94	100.00
40-90	323	4.89	7.78
60-90	2	.03	.05
90-180	0	.00	.00
0-180	4153	62.94	100.00

Coefficients of Utilization

CEILING	80%				70%		50%		30%		0
	70	50	30	10	50	10	50	10	50	10	
WALL	Zonal Cavity Method - Effective Floor Cavity Reflectance = 20%										
RCR											
0	.75	.75	.75	.75	.73	.73	.70	.70	.67	.67	.63
1	.72	.71	.69	.68	.70	.67	.67	.65	.67	.65	.60
2	.69	.67	.65	.63	.66	.63	.64	.61	.62	.60	.58
3	.67	.64	.61	.59	.63	.59	.61	.58	.60	.57	.55
4	.64	.61	.58	.56	.60	.56	.59	.55	.58	.54	.53
5	.62	.58	.55	.53	.57	.52	.56	.52	.55	.52	.50
6	.60	.55	.52	.50	.55	.50	.54	.50	.53	.49	.48
7	.57	.53	.50	.48	.52	.47	.51	.47	.51	.47	.46
8	.55	.50	.47	.45	.50	.45	.49	.45	.49	.45	.44
9	.53	.48	.45	.43	.47	.43	.47	.42	.46	.42	.41
10	.51	.46	.43	.40	.45	.40	.45	.40	.44	.40	.39

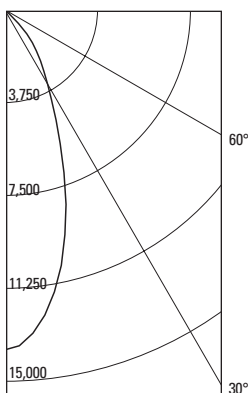
LUMINAIRE INPUT WATTS = 78

** EFFICIENCY = 62.9% **
SC = 0.6

CERTIFIED TEST REPORT NO. 2334FR, DATE: OCT 14, 2003
COMPUTED BY LSI PROGRAM **TEST-LITE**

150W T6 PHILIPS METAL HALIDE LAMP. LUMEN RATING = 14000 LMS. AROMAT ELECTRONIC BALLAST, CL Finish

CANDLEPOWER DISTRIBUTION



ANGLE	MEAN CP	LUMENS
0	13758	
5	13134	1232
10	11593	
15	9424	2655
20	7028	
25	4935	2359
30	3491	
35	2551	1627
40	1766	
45	816	671
50	70	
55	12	22
60	4	
65	7	5
70	3	
75	1	2
80	0	
85	0	0
90	0	

LUMINANCE SUMMARY	
ANGLE	MEAN CD/SQ M
45	69119
55	1223
65	1001
75	344
85	0

ZONAL LUMENS AND PERCENTAGES			
ZONE	LUMENS	% LAMP	% LUMINAIRE
0-30	6246	44.62	72.86
0-40	7873	56.24	91.83
0-60	8566	61.19	99.92
0-90	8573	61.24	100.00
40-90	700	5.00	8.17
60-90	6	.05	.08
90-180	0	.00	.00
0-180	8573	61.24	100.00

Coefficients of Utilization

CEILING	80%				70%		50%		30%		0
	70	50	30	10	50	10	50	10	50	10	
WALL	Zonal Cavity Method - Effective Floor Cavity Reflectance = 20%										
RCR											
0	.73	.73	.73	.73	.71	.71	.68	.68	.65	.65	.61
1	.70	.69	.67	.66	.68	.65	.65	.63	.63	.61	.59
2	.67	.65	.63	.61	.64	.61	.62	.59	.60	.58	.56
3	.65	.62	.59	.57	.61	.57	.59	.56	.58	.55	.54
4	.62	.59	.56	.54	.58	.54	.57	.53	.56	.53	.51
5	.60	.56	.53	.51	.55	.51	.54	.50	.53	.50	.49
6	.58	.53	.50	.48	.53	.48	.52	.48	.51	.47	.46
7	.55	.51	.48	.46	.50	.45	.50	.45	.49	.45	.44
8	.53	.48	.45	.43	.48	.43	.47	.43	.47	.43	.42
9	.51	.46	.43	.41	.46	.41	.45	.41	.45	.40	.40
10	.49	.44	.41	.39	.43	.39	.43	.38	.43	.38	.38

LUMINAIRE INPUT WATTS = 167

** EFFICIENCY = 61.2% **
SC = 0.7

CERTIFIED TEST REPORT NO. 2333FR, DATE: OCT 13, 2003
COMPUTED BY LSI PROGRAM **TEST-LITE**

Job Information **Type:**

631 Airport Road, Fall River, MA 02720 • (508) 679-8131 • Fax (508) 674-4710
We reserve the right to change details of design, materials and finish.
www.lightolier.com © 2012 Philips Group • C0312