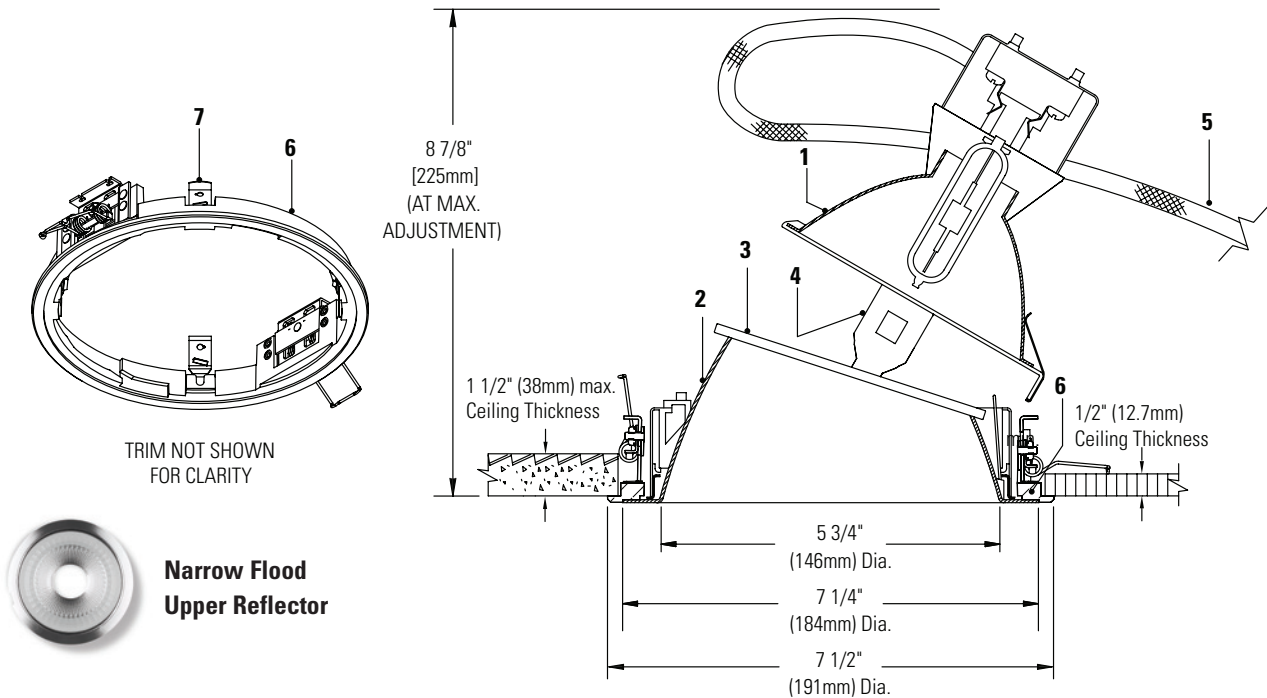


# LIGHTOLIER® HID Adjustable C6T6AEXP-MHT6RNF

Page 1 of 2

6" Aperture, T6 G12 Metal Halide, 25° Narrow Flood, For Export



**Ceiling Cutout:** 6 9/16" (129 mm) Dia.

**For Complete Fixture Order:** Reflector Trim + Upper Reflector + Installation Ring + Gear Harness

### Ordering Information

Reflector Trim	Upper Reflector	Installation Ring	Gear Harness	Lamp Data
<b>C6T6ACCDPEXP</b> Comfort Clear Diffuse, Polished Flange	<b>MHT6RNF</b>	<b>C6XRM</b>	<b>BKT6U39</b> <b>BKT6U70</b> <b>BKT6U15</b>	CDM-T G12 150W Max

### Features

- Upper Reflector:** Specular faceted aluminum; provides 25° beam. Interchangeable with 12° Spot (MHT6RS) and 40° Flood (MHT6RF); see spec sheets C6T6AEXP-MHT6RS and C6T6AEXP-MHT6RF. ORDER SEPARATELY.
- Reflector Trim:** Low brightness aperture cone; anodized aluminum, self-flanged in aperture-matching polished flange.
- Lamp Shield:** High-temperature glass as required by code; captive during re-lamping.
- Trim Adjustment Mechanism:** Provides 40° vertical tilt, 360° horizontal rotation; lockable. EZ-Aim Helical Drive System provides fast and accurate hot aiming with Philips screwdriver.
- Gear Harness:** Electronic 240V, 50/60Hz metal halide ballast with lamp socket and wiring harness. ORDER SEPARATELY. See separate specification sheet for details.
- Installation Ring:** Cast aluminum ring is painted and has two 17ga. stainless steel springs that engage in upright position during installation. One touch snap action secures ring in ceiling cutout. ORDER SEPARATELY. See separate specification sheet for details.
- Trim Retention Springs:** Rust resistant springs secure reflector/housing for quick, toolless installation (quantity of 4).

### Certifications and Ratings



### Job Information

### Type:

**Job Name:**

**Cat. No.:**

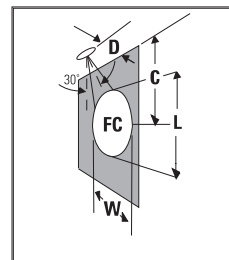
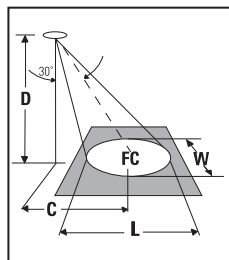
**Lamp(s):**

**Notes:**

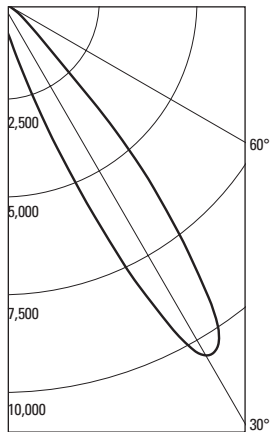
631 Airport Road, Fall River, MA 02720 • (508) 679-8131 • Fax (508) 674-4710  
 We reserve the right to change details of design, materials and finish.  
 www.lightolier.com © 2011 Philips Group • B0711

# LIGHTOLIER® HID Adjustable C6T6AEXP-MHT6RNF

(FC) is initial footcandles at center of beam. Beam length (L) and beam width (W) are to where the candlepower is reduced to 50% of the center beam candlepower. (C) is the distance to the center of the beam.



CANDLEPOWER DISTRIBUTION



ANGLE	WALL
0	572
5	608
10	737
15	1373
20	3477
25	7417
30	10451
35	9231
40	5593
45	1881
50	945
55	562
60	212
65	46
70	2
75	0
80	0
85	0
90	0

**39W T6 CERAMIC MH NARROW FLOOD UPPER REFLECTOR**

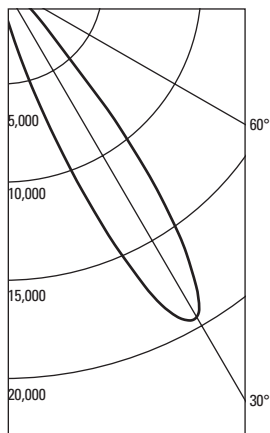
AIMED 30°. TOWARD WALL  
 LAMP: 39W T6 MH, PHILIPS  
 LUMEN RATING: 3400 LMS.  
 CBCP: 10451  
 Beam Angle: 18  
 AROMAT 39W ELECTRONIC BALLAST  
 DATE: MAR 9, 2004  
 CERTIFIED TEST REPORT NO. 2529FR  
 COMPUTED BY LSI PROGRAM  
 \*\*TEST-LITE\*\*

**30° Aiming Angle Horizontal Surface**

D	C	FC	L	W
6'	3.5'	189	2.6'	2.2'
8'	4.6'	106	3.4'	2.9'
10'	5.8'	68	4.3'	3.7'
12'	6.9'	47	5.1'	4.4'
15'	8.7'	30	6.4'	5.5'

**30° Aiming Angle Vertical Surface**

D	C	FC	L	W
2'	3.5'	327	2.7'	1.3'
3'	5.2'	145	4.1'	1.9'
4'	6.9'	82	5.5'	2.5'
6'	10.4'	36	8.2'	3.8'
8'	13.9'	20	11.0'	5.1'



ANGLE	WALL
0	1518
5	1673
10	2589
15	4991
20	10029
25	16852
30	19503
35	15467
40	7844
45	3109
50	1583
55	635
60	195
65	18
70	0
75	0
80	0
85	0
90	0

**70W T6 CERAMIC MH NARROW FLOOD UPPER REFLECTOR**

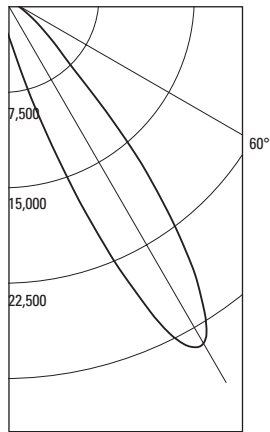
AIMED 30°. TOWARD WALL  
 LAMP: 70W T6 MH, PHILIPS  
 LUMEN RATING: 6600 LMS.  
 CBCP: 19503  
 Beam Angle: 19  
 AROMAT 150W ELECTRONIC BALLAST  
 DATE: MAR 13, 2004  
 CERTIFIED TEST REPORT NO. 2526FR  
 COMPUTED BY LSI PROGRAM  
 \*\*TEST-LITE\*\*

**30° Aiming Angle Horizontal Surface**

D	C	FC	L	W
8'	4.6'	198	3.6'	3.1'
10'	5.8'	127	4.5'	3.9'
12'	6.9'	88	5.4'	4.6'
15'	8.7'	56	6.8'	5.8'
20'	11.5'	32	9.0'	7.7'

**30° Aiming Angle Vertical Surface**

D	C	FC	L	W
3'	5.2'	271	4.4'	2.0'
4'	6.9'	152	5.8'	2.7'
6'	10.4'	68	8.8'	4.0'
8'	13.9'	38	11.7'	5.4'
12'	20.8'	17	17.5'	8.0'



ANGLE	WALL
0	2007
5	2615
10	3893
15	7816
20	16207
25	27282
30	31443
35	25856
40	16177
45	7133
50	4260
55	2397
60	971
65	287
70	20
75	0
80	0
85	0
90	0

**150W T6 CERAMIC MH NARROW FLOOD UPPER REFLECTOR**

AIMED 30°. TOWARD WALL  
 LAMP: 150W T6 MH, PHILIPS  
 LUMEN RATING: 14000 LMS.  
 CBCP: 31443  
 Beam Angle: 21  
 AROMAT 150W ELECTRONIC BALLAST  
 DATE: MAR 10, 2004  
 CERTIFIED TEST REPORT NO. 2532FR  
 COMPUTED BY LSI PROGRAM  
 \*\*TEST-LITE\*\*

**30° Aiming Angle Horizontal Surface**

D	C	FC	L	W
8'	4.6'	319	4.0'	3.4'
10'	5.8'	204	5.0'	4.3'
12'	6.9'	142	6.0'	5.1'
15'	8.7'	91	7.5'	6.4'
20'	11.5'	51	10.0'	8.6'

**30° Aiming Angle Vertical Surface**

D	C	FC	L	W
3'	5.2'	437	5.0'	2.2'
4'	6.9'	246	6.6'	3.0'
6'	10.4'	109	9.9'	4.4'
8'	13.9'	61	13.2'	5.9'
12'	20.8'	27	19.8'	8.9'

**Job Information Type:**

631 Airport Road, Fall River, MA 02720 • (508) 679-8131 • Fax (508) 674-4710  
 We reserve the right to change details of design, materials and finish.  
 www.lightolier.com © 2011 Philips Group • B0711