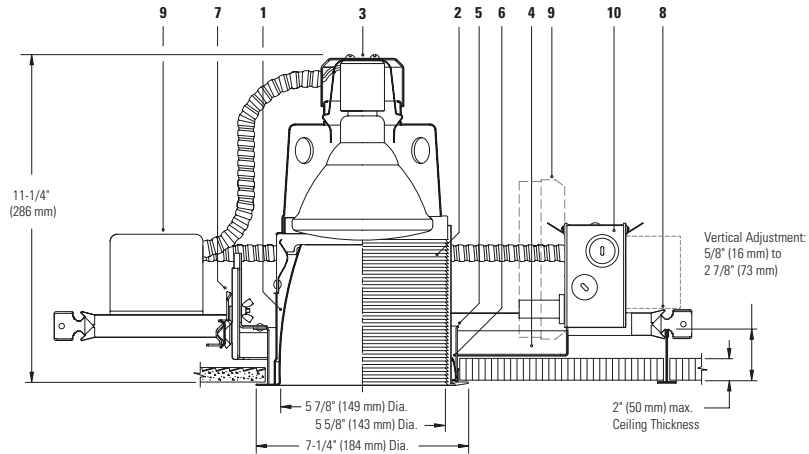
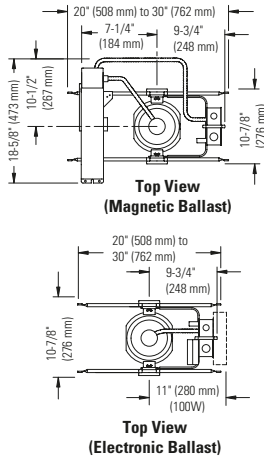




Calculite® HID Downlight C6P38MH



Ceiling Cutout: 6 9/16" (167 mm) Dia.

Reflector Trim		Frame-In Kit	Lamp	
C6P38MH	CLW Specular Clear, White Painted Flange.	C670MHE1 Electronic 120V	70W PAR38	Ceramic Metal Halide
	CLP Specular Clear, Matching Flange.	C670MHE2 Electronic 277V	70W PAR38	Ceramic Metal Halide
	CCDW Comfort Clear Diffuse, White Painted Flange.	C610MHE1 Electronic 120V	100W PAR38	Ceramic Metal Halide
	CCDP Comfort Clear Diffuse, Matching Flange.	C610MHE2 Electronic 277V	100W PAR38	Ceramic Metal Halide
	CCZW Champagne Bronze, White Painted Flange.	C670MHU Magnetic 120V/277V	70W PAR38	Ceramic Metal Halide
	CCZP Champagne Bronze, Matching Flange.	C610MHU Magnetic 120V/277V	100W PAR38	Ceramic Metal Halide
	MG Black Multi-Groove, White Molded Trim Ring.			

Features

- Reflector Trim:** Clear anodized aluminum, 0.040" (16-ga.). Provides 45° visual cut-off to lamp and lamp image; self-flange in painted white or aperture-matching polished flange. Consult factory for other finishes.
- Mult-Groove Baffle:** One piece seamless aluminum. Sharply detailed concentric rings, black finish. Permanently fastened to specular clear reflector.
- Socket Cup:** Galvanized steel, pre-wired with medium base pulse rated socket. Snaps onto upper reflector for secure attachment without tools; assures proper lamp alignment to optics for consistent performance.
- Mounting Frame:** 0.048" (18-ga.) galvanized steel includes pre-installed mounting bars.
- Mounting Ring:** 0.048" (18-ga.) galvanized steel. Designed for vertical adjustment from above or below for ceilings from 0" to 2" thick. Center-line notches allow consistent alignment of multiple fixtures.
- Retention Springs:** Rust resistant springs secure cone in place for quick, tool-less installation.
- Frame Vertical Adjustment Mechanism:** Vertical adjustment mechanism accommodates mounting to virtually any ceiling system using pre-installed mounting bars, or 1/2" EMT tubing (by others). Single locking feature secures all adjustments. Alignment holes and markings allow fixture to be pre-set prior to installation.
- Mounting Bars:** 0.048" (18-ga.) Pre-installed, telescoping bars extend to 30" long and lock securely into position. Built-in locking tabs provide positive attachment to common T-bar systems. Self-centering feature simplifies installation in 24" O.C. grid systems. Attaches to steel or wood joists without accessories.
- Ballast:** Electronic 120V or 277V. Magnetic dual voltage (120V & 277V). Accessible from below for inspection and/or replacement without tools.
- Junction Box:** 0.048" (18-ga.) galvanized steel. UL listed for 8 No. 12 AWG, 90°C through branch circuit conductors; allows inspection from below.
- Thermal Protector:** (Not Shown) Meets NEC and UL requirements. Do not install insulation above nor within 3" (76mm) of any part of the luminaire.

Electrical

Electronic Ballast: 120V or 277V, 50/60 Hz., enclosed, high-power factor, T.H.D. <15%, thermally and transient protected, RMI / RFI complies with FCC Part 18 non-consumer equipment, shut-down circuit at end of lamp life, sound rating "A", -5°F minimum starting temperature, Type 1 outdoor rating.

Ballast	ANSI Code	Voltage	Max. Amps	Input Watts
70W MH	M98/M143	120/277	0.67/0.28	78
100W MH	M90/M140	120/277	0.90/0.43	110

Magnetic Ballast: 120/277V dual voltage, 60 Hz., enclosed and potted, HX-HPF circuit type, high power factor, sound rating "B", -20°F minimum starting temperature, Type 1 Outdoor rating.

Ballast	ANSI Code	Voltage	Max. Amps	Input Watts
70W MH	M98/M143	120/277	1.90/0.80	94
100W MH	M90/M140	120/277	2.40/1.10	125

Options and Accessories

Slope Ceiling Adapters: See Specification Sheet SCA.

Fuse (magnetic ballast): Add suffix **F1** or **F2** to Frame-In Kit (F1=120V, F2=277V)

Chicago Plenum: Consult Factory.

Labels

UL (Suitable for Damp Locations), CSA, I.B.E.W.

Job Information	Type:
Job Name:	
Cat. No.:	
Lamp(s):	
Notes:	



Calculite® HID Downlight C6P38MH

70W PAR38 FLOOD MH PHILIPS 3K , LUMEN RATING = 4800 LMS, ELECTRONIC AROMAT BALLAST, CL FINISH TRIM

ANGLE	MEAN CP	LUMENS	LUMINANCE SUMMARY - CD. / SQ. M.		Coefficients of Utilization									
			ANGLE	MEAN CD/SQ M	80%		70%		50%		30%			
0	20134		45	479										
5	17728	1622	55	0										
10	12396		65	0										
15	6288	1901	75	0										
20	1851		85	0										
25	460	337												
30	140													
35	64	47												
40	29													
45	10	9												
50	0													
55	0	0												
60	0													
65	0	0												
70	0													
75	0	0												
80	0													
85	0	0												
90	0													

ZONAL LUMENS AND PERCENTAGES			
ZONE	LUMENS	% LAMP	% LUMINAIRE
0-30	3860	80.42	98.57
0-40	3906	81.39	99.76
0-60	3916	81.59	100
0-90	3916	81.59	100
40-90	9	0.19	0.24
60-90	0	0	0
90-180	0	0	0
0-180	3916	81.59	100

** EFFICIENCY = 81.6% **
SC = .4

CERTIFIED TEST REPORT NO. 2453FR, DATE: FEB 12, 2004
COMPUTED BY LSI PROGRAM **TEST-LITE**

100W PAR38 FLOOD MH PHILIPS 3K , LUMEN RATING = 6800 LMS, ELECTRONIC AROMAT BALLAST, CL FINISH TRIM

ANGLE	MEAN CP	LUMENS	LUMINANCE SUMMARY - CD. / SQ. M.		Coefficients of Utilization									
			ANGLE	MEAN CD/SQ M	80%		70%		50%		30%			
0	26152		45	221										
5	24195	2202	55	0										
10	17741		65	0										
15	9134	2760	75	0										
20	2934		85	0										
25	793	544												
30	182													
35	78	57												
40	29													
45	4	7												
50	0													
55	0	0												
60	0													
65	0	0												
70	0													
75	0	0												
80	0													
85	0	0												
90	0													

ZONAL LUMENS AND PERCENTAGES			
ZONE	LUMENS	% LAMP	% LUMINAIRE
0-30	5505	80.97	98.84
0-40	5563	81.82	99.87
0-60	5570	81.92	100
0-90	5570	81.92	100
40-90	7	0.11	0.13
60-90	0	0	0
90-180	0	0	0
0-180	5570	81.92	100

** EFFICIENCY = 81.9% **
SC = .4

CERTIFIED TEST REPORT NO. 2455FR, DATE: FEB 13, 2004
COMPUTED BY LSI PROGRAM **TEST-LITE**

70W PAR38 WIDE FLOOD MH PHILIPS 3K , LUMEN RATING = 4800 LMS, ELECTRONIC AROMAT BALLAST, CL FINISH TRIM

ANGLE	MEAN CP	LUMENS	LUMINANCE SUMMARY - CD. / SQ. M.		Coefficients of Utilization									
			ANGLE	MEAN CD/SQ M	80%		70%		50%		30%			
0	4053		45	901										
5	3975	378	55	0										
10	3826		65	0										
15	3646	1020	75	0										
20	3278		85	0										
25	2623	1235												
30	2144													
35	1451	831												
40	248													
45	18	55												
50	0													
55	0	0												
60	0													
65	0	0												
70	0													
75	0	0												
80	0													
85	0	0												
90	0													

ZONAL LUMENS AND PERCENTAGES			
ZONE	LUMENS	% LAMP	% LUMINAIRE
0-30	5505	80.97	98.84
0-40	2632	54.84	74.81
0-60	3463	72.16	98.43
0-90	3518	73.31	100
40-90	55	1.15	1.57
60-90	0	0	0
90-180	0	0	0
0-180	3518	73.31	100

** EFFICIENCY = 73.3% **
SC = .9

CERTIFIED TEST REPORT NO. 2454FR, DATE: FEB 12, 2004
COMPUTED BY LSI PROGRAM **TEST-LITE**

100W PAR38 WIDE FLOOD MH PHILIPS 3K , LUMEN RATING = 6800 LMS, ELECTRONIC AROMAT BALLAST, - CL FINISH TRIM

ANGLE	MEAN CP	LUMENS	LUMINANCE SUMMARY - CD. / SQ. M.		Coefficients of Utilization									
			ANGLE	MEAN CD/SQ M	80%		70%		50%		30%			
0	7353		45	1960										
5	6975	657	55	178										
10	6231		65	0										
15	5506	1553	75	0										
20	4664		85	0										
25	3597	1691												
30	2759													
35	1759	1031												
40	288													
45	39	74												
50	14													
55	3	5												
60	1													
65	0	0												
70	0													
75	0	0												
80	0													
85	0	0												
90	0													

ZONAL LUMENS AND PERCENTAGES			
ZONE	LUMENS	% LAMP	% LUMINAIRE
0-30	3901	57.37	77.85
0-40	4932	72.53	98.43
0-60	5010	73.68	100
0-90	5010	73.69	100
40-90	78	1.16	1.57
60-90	0	0	0
90-180	0	0	0
0-180	5010	73.69	100

** EFFICIENCY = 73.7% **
SC = .8

CERTIFIED TEST REPORT NO. 2456FR, DATE: FEB 13, 2004
COMPUTED BY LSI PROGRAM **TEST-LITE**

Job Information Type:

Lightolier a Genlyte Thomas Company www.lightolier.com
631 Airport Road, Fall River, MA 02720 • (508) 679-8131 • Fax (508) 674-4710
We reserve the right to change details of design, materials and finish.
© 2004 Genlyte Thomas Group LLC (Lightolier Division) • A0504

LIGHTOLIER®