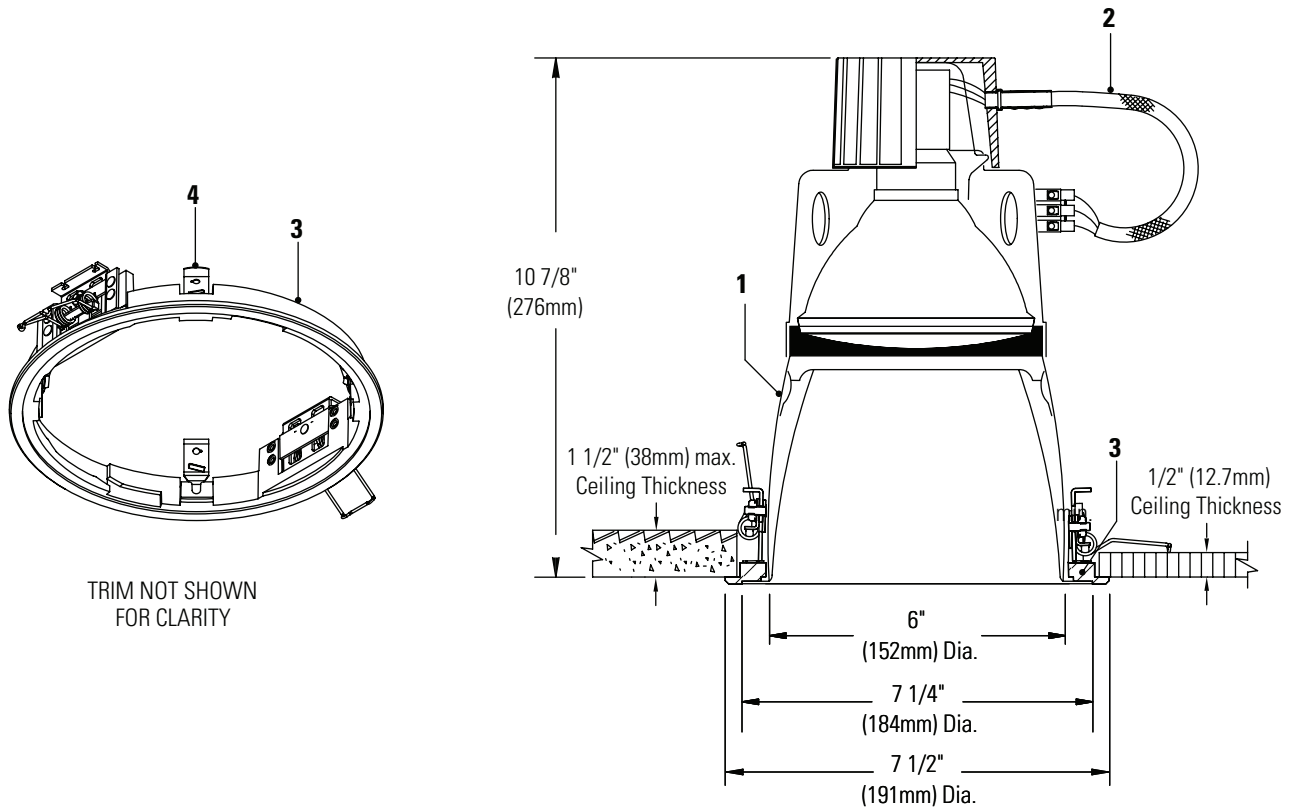


# Calculite® Open Downlight C6P38DEXP



**Ceiling Cutout:** 6 9/16" (129 mm) Dia.

**Ordering Information**

Reflector Trim	Installation Ring	Lamp Data
C6P38DCCDPEXP Comfort Clear Diffuse, Polished Flange	C6XRMM Matte White	120W PAR38 Halogen E27 240V

**Features**

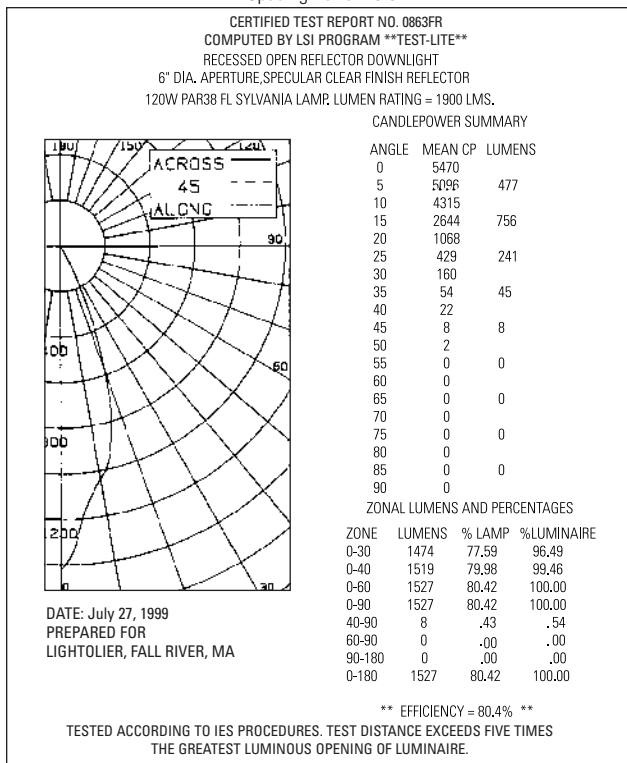
- Reflector:** 16 ga. Specular Alzak® aluminum, 45° visual cutoff to lamp and lamp image. Interchangeable with other Evolution 6" line voltage trims.
- Socket Harness:** Spring tension clips snap into die-cast aluminum top at pre-focused positions insuring correct optical alignment. Medium base E27 porcelain socket with nickel plated screw shell. No. 18 (1.0 mm<sup>2</sup>) SF-1 leads to terminal block for 3 No. 18 (1.0 mm<sup>2</sup>) supply leads (line, neutral and ground).
- Installation Ring:** Cast aluminum ring is painted and has two 17ga. stainless steel springs that engage in upright position during installation. One touch snap action secures ring in ceiling cutout. ORDER SEPARATELY. See separate specification sheet for details.
- Retention Springs:** Rust resistant springs secure trim for quick, tool-less installation (quantity of 4).

**Certifications and Ratings**

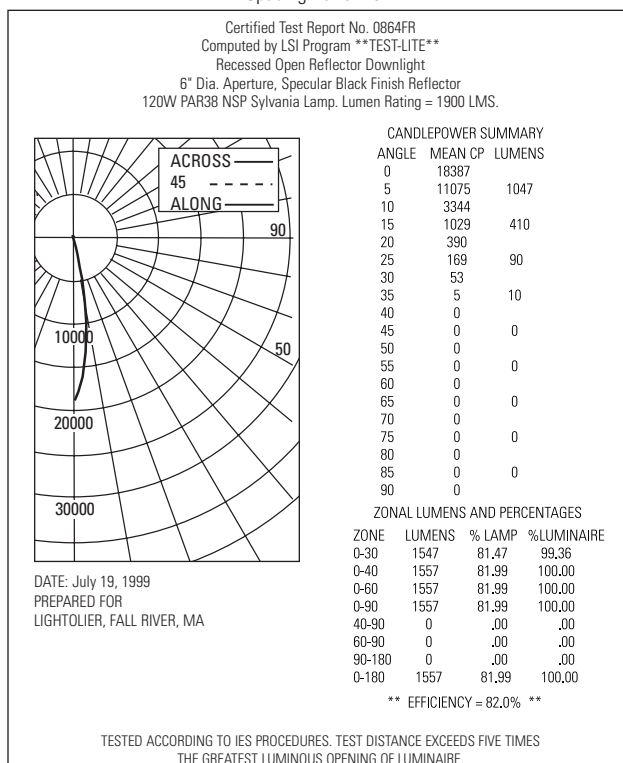


Job Information	Type:
<b>Job Name:</b>	
<b>Cat. No.:</b>	
<b>Lamp(s):</b>	
<b>Notes:</b>	

Spacing Ratio = 0.5



Spacing Ratio = 0.2



**COEFFICIENTS OF UTILIZATION**

% EFFECTIVE CEILING CAVITY REFLECTANCE

Room Cavity Ratio	% WALL REFLECTANCE																							
	80				70				50				30				10				0			
	50	30	10	0	50	30	10	0	50	30	10	0	50	30	10	0	50	30	10	0	50	30	10	0
1	.92	.90	.89	.90	.89	.88	.87	.86	.85	.84	.83	.83	.81	.81	.80	.79	.79	.78	.77	.76	.75	.75	.74	.73
2	.88	.86	.85	.87	.85	.84	.84	.83	.82	.82	.81	.80	.80	.79	.79	.78	.77	.76	.75	.74	.73	.72	.71	.70
3	.86	.83	.81	.85	.83	.81	.83	.81	.80	.81	.80	.78	.79	.78	.77	.76	.75	.74	.73	.72	.71	.70	.69	.68
4	.83	.81	.79	.83	.80	.78	.81	.79	.88	.80	.78	.77	.78	.77	.76	.75	.74	.73	.72	.71	.70	.69	.68	.67
5	.81	.78	.76	.80	.78	.76	.79	.77	.75	.78	.76	.75	.77	.76	.74	.73	.72	.71	.70	.69	.68	.67	.66	.65
6	.79	.77	.75	.79	.76	.74	.78	.76	.74	.77	.75	.74	.76	.74	.73	.72	.71	.70	.69	.68	.67	.66	.65	.64
7	.77	.75	.73	.77	.74	.72	.76	.74	.72	.75	.73	.72	.74	.73	.72	.71	.70	.69	.68	.67	.66	.65	.64	.63
8	.75	.73	.71	.75	.73	.71	.74	.72	.71	.74	.72	.70	.73	.71	.70	.69	.68	.67	.66	.65	.64	.63	.62	.61
9	.74	.71	.70	.74	.71	.70	.73	.71	.69	.73	.70	.69	.72	.70	.69	.68	.67	.66	.65	.64	.63	.62	.61	.60
10	.72	.70	.68	.72	.70	.68	.72	.69	.68	.71	.69	.68	.71	.69	.68	.67	.66	.65	.64	.63	.62	.61	.60	.59

20% FLOOR CAVITY REFLECTANCE

Conversion Factors  
 45W to 250W PAR38FL: Gold, C.U. x 0.95; Diffuse, C.U. x 0.90.

**COEFFICIENTS OF UTILIZATION**

% EFFECTIVE CEILING CAVITY REFLECTANCE

Room Cavity Ratio	% WALL REFLECTANCE																							
	80				70				50				30				10				0			
	50	30	10	0	50	30	10	0	50	30	10	0	50	30	10	0	50	30	10	0	50	30	10	0
1	.94	.93	.92	.93	.91	.91	.89	.88	.88	.86	.86	.85	.84	.83	.83	.82	.81	.80	.79	.78	.77	.76	.75	
2	.91	.90	.88	.90	.88	.87	.87	.86	.85	.85	.84	.84	.83	.83	.82	.81	.80	.79	.78	.77	.76	.75	.74	
3	.89	.87	.86	.88	.86	.85	.86	.85	.84	.85	.84	.82	.83	.82	.81	.80	.79	.78	.77	.76	.75	.74	.73	
4	.87	.85	.84	.87	.85	.83	.85	.84	.82	.84	.82	.81	.82	.81	.80	.79	.78	.77	.76	.75	.74	.73	.72	
5	.86	.83	.82	.85	.83	.82	.84	.82	.81	.83	.81	.80	.82	.81	.80	.79	.78	.77	.76	.75	.74	.73	.72	
6	.85	.82	.81	.84	.82	.81	.83	.82	.80	.82	.81	.80	.82	.80	.79	.78	.77	.76	.75	.74	.73	.72	.71	
7	.84	.81	.80	.83	.81	.79	.82	.81	.79	.81	.80	.79	.81	.80	.79	.78	.77	.76	.75	.74	.73	.72	.71	
8	.82	.80	.79	.82	.80	.79	.81	.80	.79	.81	.79	.78	.80	.79	.78	.77	.76	.75	.74	.73	.72	.71	.70	
9	.82	.80	.78	.81	.80	.78	.81	.79	.78	.80	.79	.78	.80	.79	.78	.77	.76	.75	.74	.73	.72	.71	.70	
10	.81	.79	.77	.81	.79	.77	.80	.78	.77	.80	.78	.77	.80	.78	.77	.76	.75	.74	.73	.72	.71	.70	.69	

20% FLOOR CAVITY REFLECTANCE

Conversion Factors  
 45W to 120W PAR38 NSP: with Black Alzak®, C.U. x 1.0

**Job Information** **Type:**