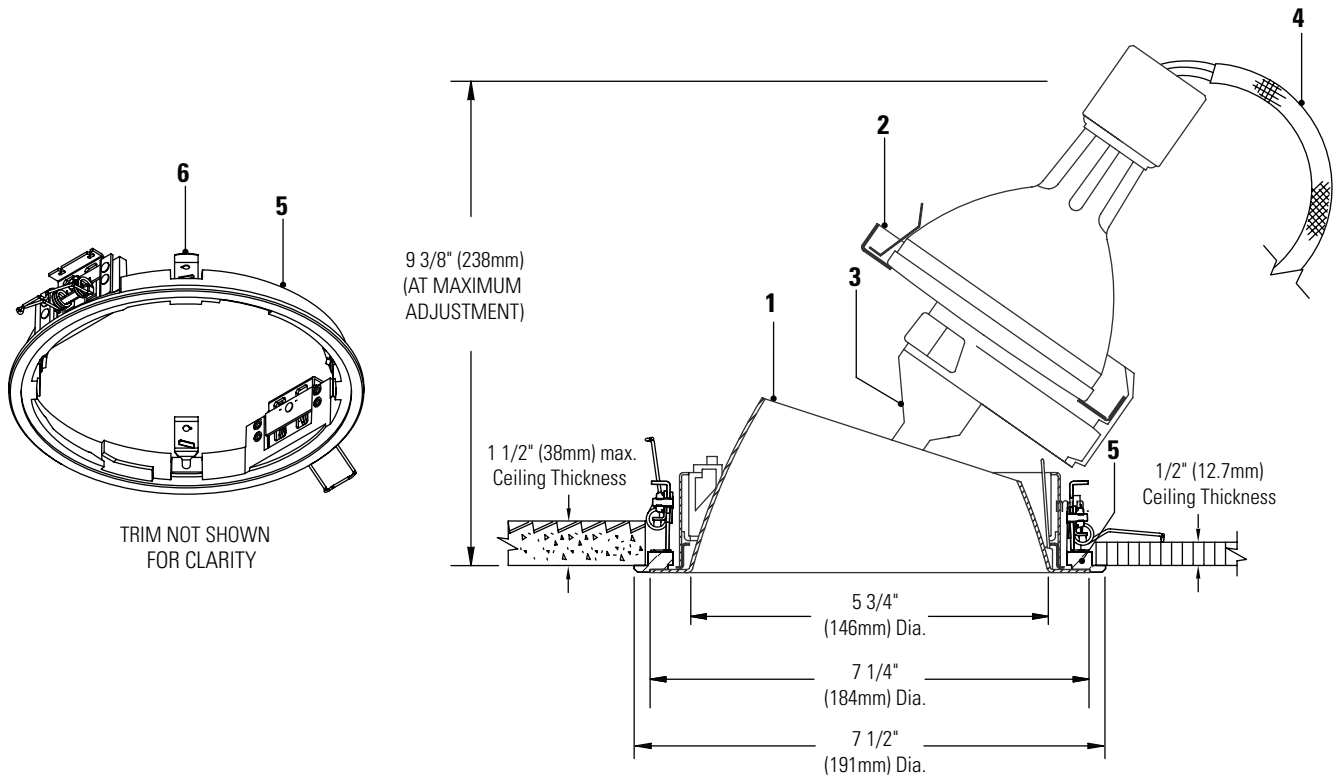


# LIGHTOLIER® Calculite® HID Adjustable C6P30MHAEXP



**Ceiling Cutout:** 6 9/16" (129 mm) Dia.

**Ordering Information**

Reflector Trim	Installation Ring	Socket Harness	Lamp Data
C6P30MHACCDPEXP Comfort Clear Diffuse, Polished Flange	C6XRM Matte White	BKMHPU39 BKMHPU70	CDM-R PAR30 70W Max

**Features**

- 1. Reflector Trim:** Low brightness, specular anodized aluminum with integral flange polished to match inside of cone.
- 2. Lamp Holder Assembly:** Unitized optics insure alignment of lamp and aperture cone. Integral C-shaped media holder accepts up to two 4 3/4" dia. accessories.
- 3. Trim Adjustment Mechanism:** Provides 40° vertical tilt, 360°+ horizontal rotation; lockable. EZ-Aim Helical Drive System provides fast and accurate hot aiming with Philips screwdriver.
- 4. Gear Harness:** Electronic metal halide ballast with lamp socket and wiring harness. ORDER SEPARATELY. See separate specification sheet for details.
- 5. Installation Ring:** Cast aluminum ring is painted and has two 17ga. stainless steel springs that engage in upright position during installation. One touch snap action secures ring in ceiling cutout. ORDER SEPARATELY. See separate specification sheet for details.
- 6. Retention Springs:** Rust resistant springs secure trim for quick, tool-less installation (quantity of 4).

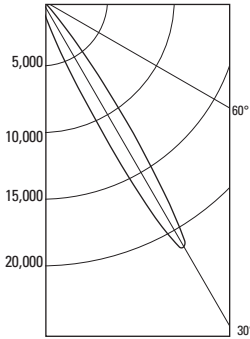
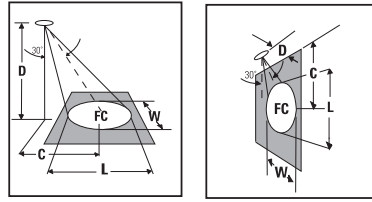
**Certifications and Ratings**



Job Information	Type:
<b>Job Name:</b>	
<b>Cat. No.:</b>	
<b>Lamp(s):</b>	
<b>Notes:</b>	

631 Airport Road, Fall River, MA 02720 • (508) 679-8131 • Fax (508) 674-4710  
 We reserve the right to change details of design, materials and finish.  
 www.lightolier.com © 2011 Philips Group • B0711

(FC) is initial footcandles at center of beam. Beam length (L) and beam width (W) are to where the candlepower is reduced to 50% of the center beam candlepower. (C) is the distance to the center of the beam.



**39W PAR30 CERAMIC MH - SPOT**

ANGLE WALL  
 0 393  
 5 487  
 10 674  
 15 1349  
 20 3847  
 25 11394  
 30 21431  
 35 11215  
 40 3294  
 45 951  
 50 240  
 55 41  
 60 8  
 65 0  
 70 0  
 75 0  
 80 0  
 85 0  
 90 0

AIMED 30 deg. TOWARD WALL

LAMP: 39W PAR30 SP CERAMIC MH,  
 PHILIPS LUMEN RATING: 2200 LMS.

CBCP: 21431  
 Beam Angle: 11

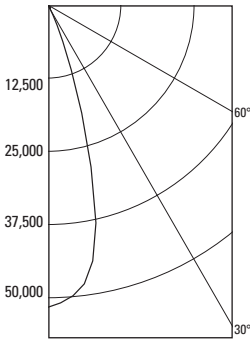
AROMAT 39W ELECTRONIC BALLAST  
 DATE: MAR 1, 2004  
 CERTIFIED TEST REPORT NO. 2500FR  
 COMPUTED BY LSI PROGRAM  
 \*\*TEST-LITE\*\*

**30° Aiming Angle  
 Horizontal Surface**

D	C	FC	L	W
6'	3.5'	387	1.5'	1.3'
8'	4.6'	217	2.1'	1.8'
10'	5.8'	139	2.6'	2.2'
12'	6.9'	97	3.1'	2.7'
15'	8.7'	62	3.9'	3.3'

**30° Aiming Angle  
 Vertical Surface**

D	C	FC	L	W
2'	3.5'	670	1.6'	0.8'
3'	5.2'	298	2.4'	1.2'
4'	6.9'	167	3.2'	1.5'
6'	10.4'	74	4.8'	2.3'
8'	13.9'	42	6.3'	3.1'



**70W PAR30 CERAMIC MH - SPOT**

ANGLE WALL  
 0 934  
 5 1162  
 10 1615  
 15 3251  
 20 9309  
 25 27611  
 30 51951  
 35 27177  
 40 7969  
 45 2285  
 50 561  
 55 79  
 60 0  
 65 0  
 70 0  
 75 0  
 80 0  
 85 0  
 90 0

AIMED 30 deg. TOWARD WALL

LAMP: 70W PAR30 SP CERAMIC MH  
 PHILLIPS LUMEN RATING: 4850 LMS.

CBCP: 51951  
 Beam Angle: 11

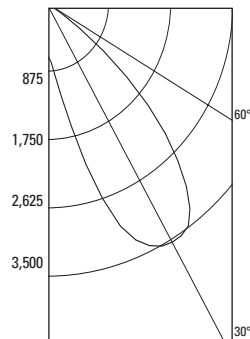
AROMAT 70W ELECTRONIC BALLAST  
 DATE: MAR 1, 2004  
 CERTIFIED TEST REPORT NO. 2497FR  
 COMPUTED BY LSI PROGRAM  
 \*\*TEST-LITE\*\*

**30° Aiming Angle  
 Horizontal Surface**

D	C	FC	L	W
8'	4.6'	527	2.1'	1.8'
10'	5.8'	337	2.6'	2.2'
12'	6.9'	234	3.1'	2.7'
15'	8.7'	150	3.9'	3.3'
20'	11.5'	84	5.2'	4.4'

**30° Aiming Angle  
 Vertical Surface**

D	C	FC	L	W
3'	5.2'	722	2.4'	1.2'
4'	6.9'	406	3.2'	1.5'
6'	10.4'	180	4.8'	2.3'
8'	13.9'	101	6.3'	3.1'
12'	20.8'	45	9.5'	4.6'



**39W PAR30 CERAMIC MH - FLOOD**

ANGLE WALL  
 0 703  
 5 765  
 10 1226  
 15 2133  
 20 3040  
 25 3429  
 30 3539  
 35 3485  
 40 3065  
 45 2370  
 50 1477  
 55 579  
 60 82  
 65 11  
 70 0  
 75 0  
 80 0  
 85 0  
 90 0

AIMED 30 deg. TOWARD WALL

LAMP: 39W PAR30 FL CERAMIC MH,  
 PHILIPS LUMEN RATING: 2200 LMS.

CBCP: 3539  
 Beam Angle: 35

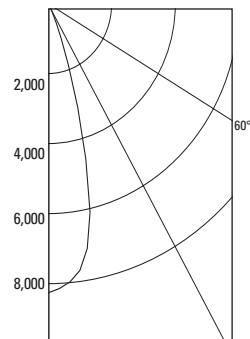
AROMAT 39W ELECTRONIC BALLAST  
 DATE: MAR 1, 2004  
 CERTIFIED TEST REPORT NO. 2499FR  
 COMPUTED BY LSI PROGRAM  
 \*\*TEST-LITE\*\*

**30° Aiming Angle  
 Horizontal Surface**

D	C	FC	L	W
8'	4.6'	36	7.0'	5.8'
10'	5.8'	23	8.7'	7.3'
12'	6.9'	16	10.4'	8.7'
15'	8.7'	10	13.0'	10.9'
20'	11.5'	6	17.4'	14.6'

**30° Aiming Angle  
 Vertical Surface**

D	C	FC	L	W
3'	5.2'	49	10.8'	3.8'
4'	6.9'	28	14.4'	5.0'
6'	10.4'	12	21.6'	7.6'
8'	13.9'	7	28.8'	10.1'
12'	20.8'	3	43.1'	15.1'



**70W PAR30 CERAMIC MH - FLOOD**

ANGLE WALL  
 0 1545  
 5 1681  
 10 2698  
 15 4696  
 20 6697  
 25 7553  
 30 7797  
 35 7677  
 40 6751  
 45 5219  
 50 3250  
 55 1272  
 60 176  
 65 18  
 70 0  
 75 0  
 80 0  
 85 0  
 90 0

AIMED 30 deg. TOWARD WALL

LAMP: 70W PAR30 FL CERAMIC MH,  
 PHILIPS LUMEN RATING: 4850 LMS.

CBCP: 7797  
 Beam Angle: 35

AROMAT 70W ELECTRONIC BALLAST  
 DATE: MAR 1, 2004  
 CERTIFIED TEST REPORT NO. 2498FR  
 COMPUTED BY LSI PROGRAM  
 \*\*TEST-LITE\*\*

**30° Aiming Angle  
 Horizontal Surface**

D	C	FC	L	W
8'	4.6'	79	7.0'	5.8'
10'	5.8'	51	8.7'	7.3'
12'	6.9'	35	10.4'	8.7'
15'	8.7'	23	13.0'	10.9'
20'	11.5'	13	17.4'	14.6'

**30° Aiming Angle  
 Vertical Surface**

D	C	FC	L	W
3'	5.2'	108	10.8'	3.8'
4'	6.9'	61	14.4'	5.0'
6'	10.4'	27	21.6'	7.6'
8'	13.9'	15	28.8'	10.1'
12'	20.8'	7	43.1'	15.1'

**Job Information Type:**

631 Airport Road, Fall River, MA 02720 • (508) 679-8131 • Fax (508) 674-4710  
 We reserve the right to change details of design, materials and finish.  
 www.lightolier.com © 2011 Philips Group • B0711