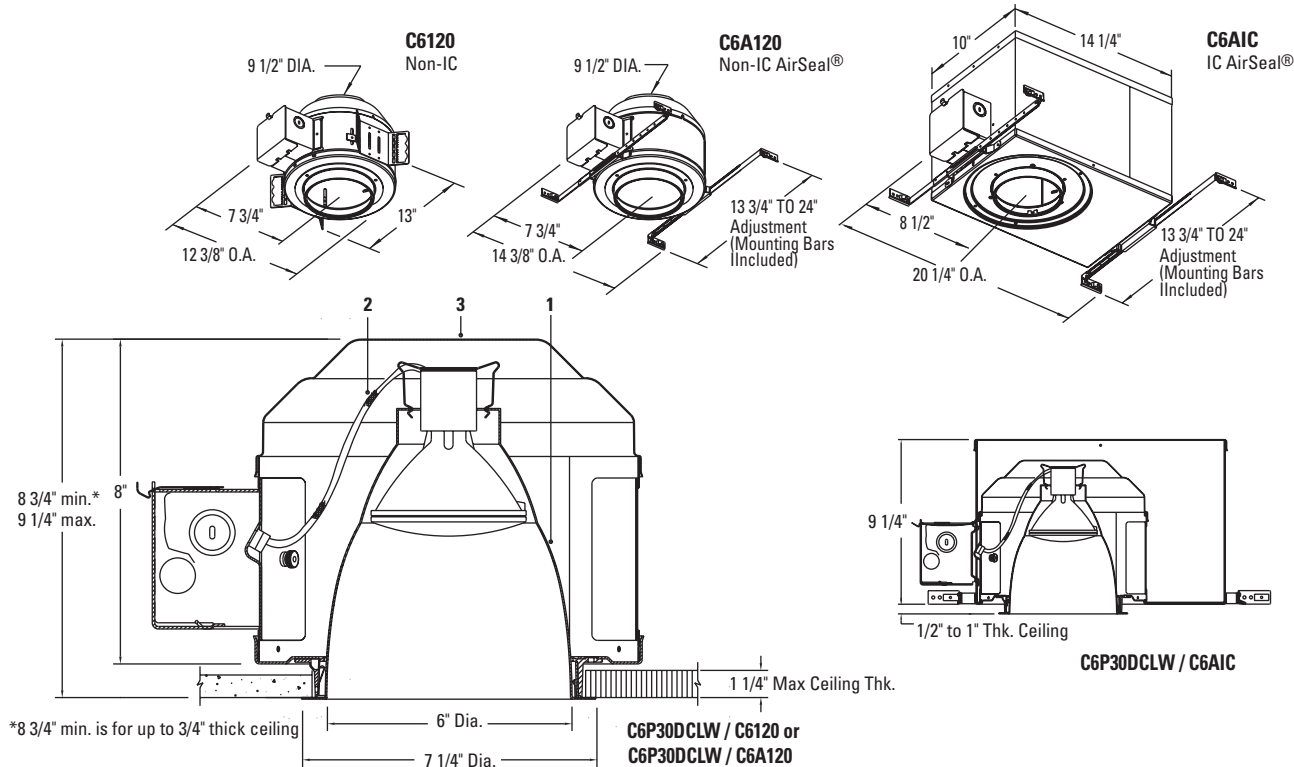




Calculite® Evolution Incandescent Open Downlight **C6P30D**



Ceiling Cutout: 6 11/16" Dia.

Reflector Trim	Frame-In Kit		
C6P30D CLW Specular Clear, White Flange	Non-IC	Non-IC AirSeal®	IC-AirSeal®
C6P30D CLP Specular Clear, Polished Flange			
C6P30D <input type="checkbox"/> Add suffix. See options for other finishes			
	C6120 75W PAR30 (Short Neck)	C6A120 75W PAR30 (Short Neck)	C6A1C 75W PAR30 (Short Neck)

Features

- Reflector:** 16 ga. aluminum, 50° visual cutoff to lamp and lamp image. Available with painted white or polished flange. Interchangeable with other Evolution 6" line voltage trims.
- Socket Harness:** Spring tension clips snap into die-cast aluminum top at pre-focused positions insuring correct optical alignment. Medium base porcelain socket with nickel plated screw shell, No. 18 SF-1 leads to keyed plug-in quick connector for power connection to junction box.
- Frame-in-Kit:** Compatible frame-in kits are listed above.
Non-IC and Non-IC Airseal® - Insulation must be kept 3" away from fixture sides and wiring compartments and must not be placed above fixture in a manner which will entrap heat.
IC-Airseal® - Fixture may be in direct contact with insulation.

Options & Accessories

Reflector Finishes¹

- Clear: CL
- Comfort Clear Diffuse: CCD
- Champagne Bronze: CCZ
- Specular Gold: GD
- Specular Black: BK
- White: WH

¹Specify desired flange

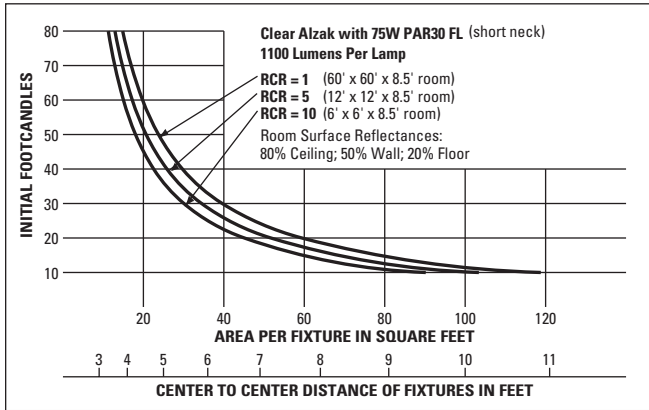
W White, **P** Polished

Labels

UL Listed (suitable for damp locations), I.B.E.W.

Job Information	Type:
Job Name:	
Cat. No.:	
Lamp(s):	
Notes:	

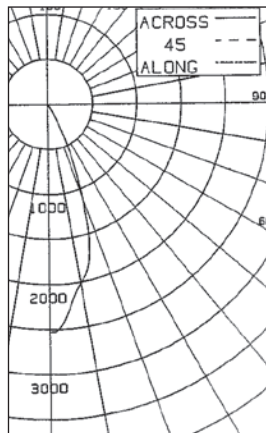
Lightolier a Genlyte company www.lightolier.com
 631 Airport Road, Fall River, MA 02720 • (508) 679-8131 • Fax (508) 674-4710
 We reserve the right to change details of design, materials and finish.
 © 2011 Genlyte Group LLC • D0711



Use quick calculator chart to determine spacing of luminaires for desired level of illumination.
 Conversion Factors:
 75W PAR30 FL (short neck): Clear/Gold, F.C. X 1.00; Black, F.C. X 0.75
 50W PAR30 FL (short neck): Clear/Gold, F.C. X 0.55; Black, F.C. X 0.40

SPACING RATIO = 0.6

CERTIFIED TEST REPORT NO 0867FR
 COMPUTED BY LSI PROGRAM **TEST-LITE**
 RECESSED OPEN REFLECTOR DOWNLIGHT
 6" DIA. APERTURE, SPECULAR CLEAR FINISH REFLECTOR
 75W PAR30 FL GE LAMP, LUMEN RATING = 1030 LMS.



CANDLEPOWER SUMMARY

ANGLE	MEAN CP	LUMENS
0	2528	
5	2324	219
10	2010	
15	1737	463
20	1052	
25	476	248
30	141	
35	42	39
40	20	
45	6	6
50	0	0
60	0	0
65	0	0
70	0	0
75	0	0
80	0	0
85	0	0
90	0	0

ZONAL LUMENS AND PERCENTAGES

ZONE	LUMENS	% LAMP	% LUMINAIRE
0-30	930	90.36	95.37
0-40	969	94.10	99.33
0-60	975	94.73	99.99
0-90	975	94.74	100.00
40-90	6	.63	.67
60-90	0	.01	.01
90-180	0	.00	.00
0-180	975	94.74	100.00

** EFFICIENCY = 94.7% **

DATE: JUL. 30, 1999
 PREPARED FOR
 LIGHTOLIER, FALL RIVER, MA

TESTED ACCORDING TO IES PROCEDURES. TEST DISTANCE EXCEEDS FIVE TIMES THE GREATEST LUMINOUS OPENING OF LUMINAIRE.

COEFFICIENTS OF UTILIZATION

% EFFECTIVE CEILING CAVITY REFLECTANCE

ROOM CAVITY RATIO	% WALL REFLECTANCE															
	80			70			50			30			10			0
	50	30	10	50	30	10	50	30	10	50	30	10	50	30	10	0
1	1.08	1.06	1.05	1.06	1.05	1.03	1.02	1.01	1.00	.99	.98	.97	.96	.95	.94	.93
2	1.04	1.01	.99	1.02	1.00	.98	.99	.97	.96	.96	.95	.94	.94	.93	.92	.91
3	1.00	.97	.95	.99	.96	.94	.97	.95	.93	.95	.93	.91	.93	.91	.90	.89
4	.97	.94	.92	.96	.93	.91	.94	.92	.90	.93	.91	.89	.91	.89	.88	.87
5	.94	.90	.88	.93	.90	.88	.92	.89	.87	.90	.88	.86	.89	.87	.86	.85
6	.92	.88	.86	.91	.88	.86	.90	.87	.85	.89	.86	.85	.88	.86	.84	.83
7	.89	.86	.83	.88	.85	.83	.87	.85	.83	.86	.84	.82	.86	.83	.82	.81
8	.87	.83	.81	.86	.83	.81	.85	.82	.80	.84	.82	.80	.84	.81	.80	.79
9	.84	.81	.79	.84	.81	.79	.83	.80	.78	.83	.80	.78	.82	.79	.78	.77
10	.82	.79	.77	.82	.79	.76	.81	.78	.76	.81	.78	.76	.80	.78	.76	.75

20% FLOOR CAVITY REFLECTANCE

Conversion Factors
 50W / 75W PAR3 FL (Short Neck): Clear/Gold, C.U. x 1.0; Black, C.U. x .075

Job Information **Type:**

Lightolier a Genlyte company www.lightolier.com
 631 Airport Road, Fall River, MA 02720 • (508) 679-8131 • Fax (508) 674-4710
 We reserve the right to change details of design, materials and finish.
 © 2011 Genlyte Group LLC • D0711