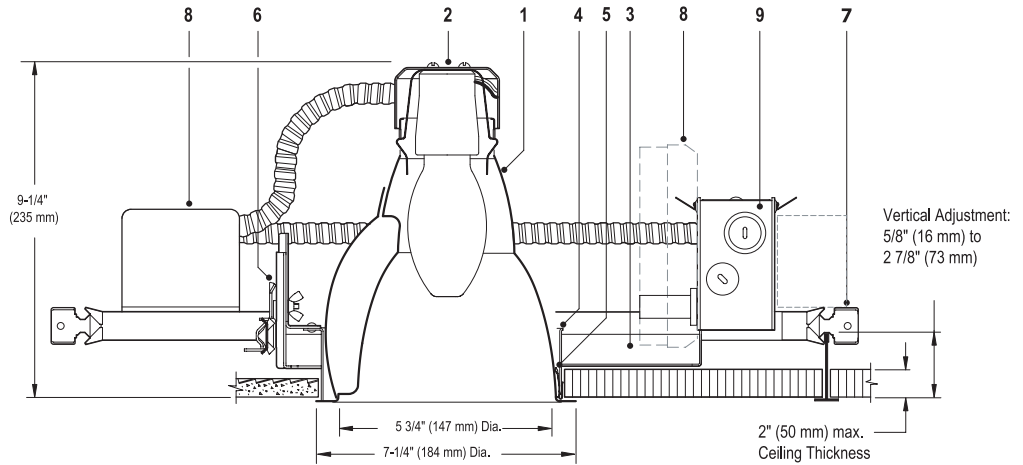
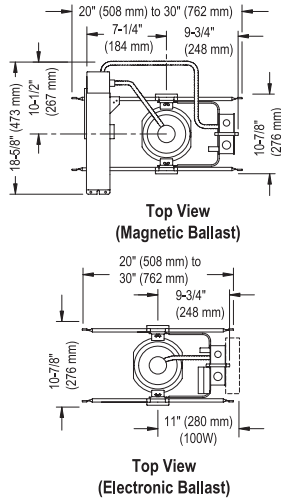




Calculite® HID Wall Wash C6E170W

6" Aperture, ED17 (Open rated) Ceramic Metal Halide



Ceiling Cutout: 6 9/16" (167mm) Dia

Reflector Trim	Frame-In Kit	Lamp (Coated, Ceramic MH)
C6E170W CLW Specular Clear, White Painted Flange.	C670MHOE1 Electronic 120V 70W	E17, ED17, BD17 (Open Rated)
CLP Specular Clear, Matching Flange.	C670MHOE2 Electronic 277V 70W	E17, ED17, BD17 (Open Rated)
CCDW Comfort Clear Diffuse, White Painted Flange.	C610MHOE1 Electronic 120V 100W	E17, ED17, BD17 (Open Rated)
CCDP Comfort Clear Diffuse, Matching Flange.	C610MHOE2 Electronic 277V 100W	E17, ED17, BD17 (Open Rated)
CCZW Champagne Bronze, White Painted Flange.	C670MHOE1 Magnetic 120V/277V 70W	E17, ED17, BD17 (Open Rated)
CCZP Champagne Bronze, Matching Flange.	C610MHOE2 Magnetic 120V/277V 100W	E17, ED17, BD17 (Open Rated)

Features

- Downlight/Wall Washer Reflector Trim:** Anodized aluminum, 0.040" (16-ga.). Provides vertical surface wall washing and medium beam downlighting; 50° visual cut-off to lamp and lamp image; self-flange in painted white or aperture-matching polished flange. Consult factory for other finishes.
- Socket Housing:** Galvanized steel, pre-wired with medium base pulse rated socket. Snaps onto upper reflector for secure attachment without tools; assures proper lamp alignment to optics for consistent performance.
- Mounting Frame:** 0.048" (18-ga.) galvanized steel includes pre-installed mounting bars.
- Mounting Ring:** 0.048" (18-ga.) galvanized steel. Designed for vertical adjustment from above or below for ceilings from 0" to 2" thick. Center-line notches allow consistent alignment of multiple fixtures.
- Retention Springs:** Rust resistant springs secure reflector in place for quick, tool-less installation.
- Frame Vertical Adjustment Mechanism:** Vertical adjustment mechanism accommodates mounting to virtually any ceiling system using pre-installed mounting bars, or 1/2" EMT tubing (by others). Single locking feature secures all adjustments. Alignment holes and markings allow fixture to be pre-set prior to installation.
- Mounting Bars:** 0.048" (18-ga.) Pre-installed, telescoping bars extend to 30" long and lock securely into position. Built-in locking tabs provide positive attachment to common T-bar systems. Self-centering feature simplifies installation in 24" O.C. grid systems. Attaches to steel or wood joists without accessories.
- Ballast:** Electronic 120V or 277V. Magnetic dual voltage (120V & 277V). Accessible from below for inspection and/or replacement without tools.
- Junction Box:** 0.059" (16-ga.) galvanized steel. UL listed for 8 No. 12 AWG, 90°C through branch circuit conductors; allows inspection from below.
- Thermal Protector:** (Not Shown) Meets NEC and UL requirements. Do not install insulation above nor within 3" (76mm) of any part of the luminaire

Electrical

Electronic Ballast: 120V or 277V, 50/60 Hz., enclosed, high-power factor, T.H.D. <15%, thermally and transient protected, RMI / RFI complies with FCC Part 18 non-consumer equipment, shut-down circuit at end of lamp life, sound rating "A", -5°F minimum starting temperature, Type 1 outdoor rating.

Electrical (cont.)

Ballast	ANSI Code	Voltage	Max. Amps	Input Watts
70W MH	M98/M139	120/277	0.67/0.29	78
100W MH	M90/M140	120/277	0.90/0.43	110

Magnetic Ballast: 120V/277V dual voltage, 60 Hz., enclosed and potted, HX-HPF circuit type, high power factor, sound rating "B", -20°F minimum starting temperature, Type 1 Outdoor rating.

Ballast	ANSI Code	Voltage	Max. Amps	Input Watts
70W MH	M98/M143	120/277	1.90/0.80	94
100W MH	M90/M140	120/277	0.90/0.43	125

Options and Accessories

Chicago Plenum: Consult Factory.

Labels

UL (Suitable for Damp Locations), I.B.E.W.

For 100W Electronic install with minimum spacing 2 feet from center-to-center of adjacent luminaires; 1/2 inch from top of luminaire to overhead building member; 1 foot from luminaire center to side building member.

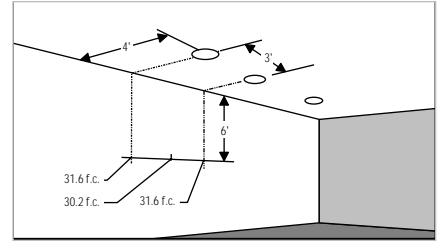
Job Information	Type:
Job Name:	
Cat. No.:	
Lamp(s):	
Notes:	

Lightolier a Genlyte company www.lightolier.com
 631 Airport Road, Fall River, MA 02720 • (508) 679-8131 • Fax (508) 674-4710
 We reserve the right to change details of design, materials and finish.
 © 2004 Genlyte Group LLC • B1004

LIGHTOLIER®



Calculite® HID Wall Wash C6E170W

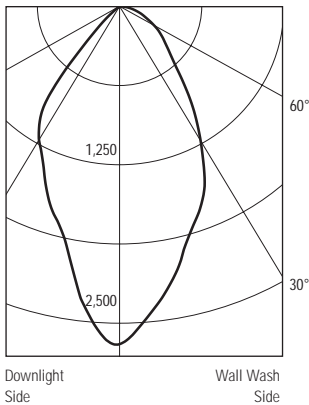


Lighting Data - Example
 C6E170WCLW illumination on the wall
 6' down from the ceiling is 31.6 f.c.
 beneath and 30.2 f.c. between fixtures.

CANDLEPOWER DISTRIBUTION

70W ED17, PHILIPS COATED CERAMIC MH. LUMEN RATING = 5700 LMS., AROMAT ELECTRONIC BALLAST, REPORT NO.2393FR

CANDLEPOWER DISTRIBUTION



**Multiple Units -
Footcandles On Wall**
3' from Wall - 3' On Center

Distance From Ceiling in Feet	3'		
	Left	Center	Right
1	25.2	23.6	25.2
2	37.7	36.1	37.7
3	38.1	35.6	38.1
4	36.2	35.8	36.2
5	35.4	33.8	35.4
6	31.6	30.2	31.6
7	27.6	27.0	27.6
8	24.4	24.2	24.4
9	21.7	21.5	21.7
10	19.4	19.2	19.4
11	17.6	17.4	17.6
12	16.1	15.9	16.1
13	15.1	14.9	15.1
14	14.3	14.2	14.3

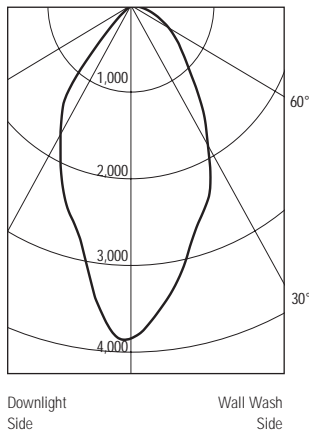
**Multiple Units -
Footcandles On Wall**
3' from Wall - 4' On Center

Distance From Ceiling in Feet	4'		
	Left	Center	Right
1	19.9	14.8	19.9
2	29.8	23.8	29.8
3	29.4	24.1	29.3
4	28.1	24.6	28.1
5	26.1	24.5	26.1
6	23.2	21.8	23.2
7	20.1	19.5	20.1
8	17.5	17.5	17.5
9	15.4	15.6	15.4
10	13.8	13.9	13.7
11	12.5	12.5	12.5
12	11.4	11.4	11.4
13	10.7	10.6	10.7
14	10.2	10.0	10.2

**Multiple Units -
Footcandles On Wall**
4' from Wall - 4' On Center

Distance From Ceiling in Feet	4'		
	Left	Center	Right
1	11.4	10.9	11.4
2	18.3	17.8	18.3
3	21.8	21.2	21.8
4	21.7	20.3	21.7
5	20.8	20.5	20.8
6	20.6	20.1	20.6
7	19.9	18.9	19.9
8	18.4	17.6	18.4
9	16.8	16.3	16.7
10	15.3	15.1	15.3
11	14.1	14.0	14.1
12	13.0	12.9	13.0
13	12.1	12.0	12.1
14	11.4	11.2	11.3

100W ED17, PHILIPS COATED CERAMIC MH. LUMEN RATING = 8500 LMS., AROMAT ELECTRONIC BALLAST, REPORT NO.2392FR



**Multiple Units -
Footcandles On Wall**
3' from Wall - 3' On Center

Distance From Ceiling in Feet	3'		
	Left	Center	Right
1	40.5	37.4	40.5
2	61.3	58.3	61.3
3	62.1	56.9	62.1
4	57.9	57.2	57.9
5	54.6	53.5	54.6
6	48.6	47.6	48.6
7	42.6	42.0	42.6
8	37.5	37.1	37.5
9	33.2	32.9	33.2
10	29.6	29.4	29.6
11	26.8	26.6	26.8
12	24.6	24.4	24.6
13	22.9	22.8	22.9
14	21.8	21.8	21.8

**Multiple Units -
Footcandles On Wall**
3' from Wall - 4' On Center

Distance From Ceiling in Feet	4'		
	Left	Center	Right
1	32.6	22.9	32.6
2	49.2	38.2	49.2
3	48.6	38.2	48.6
4	44.3	39.9	44.3
5	40.0	38.8	40.0
6	35.2	34.7	35.2
7	30.5	30.7	30.5
8	26.7	27.1	26.7
9	23.6	23.9	23.6
10	21.1	21.2	21.0
11	19.1	19.0	19.1
12	17.5	17.4	17.4
13	16.3	16.2	16.3
14	15.5	15.4	15.5

**Multiple Units -
Footcandles On Wall**
4' from Wall - 4' On Center

Distance From Ceiling in Feet	4'		
	Left	Center	Right
1	17.5	16.1	17.5
2	30.1	28.8	30.1
3	35.7	33.5	35.7
4	35.3	32.5	35.3
5	33.5	32.9	33.5
6	32.3	31.9	32.3
7	30.6	29.9	30.6
8	28.3	27.7	28.3
9	25.8	25.4	25.8
10	23.6	23.4	23.6
11	21.7	21.5	21.7
12	19.9	19.8	19.9
13	18.5	18.4	18.5
14	17.3	17.2	17.3

Lighting data above is certified, computed by LSI Program **Test-Lite**

Job Information Type: