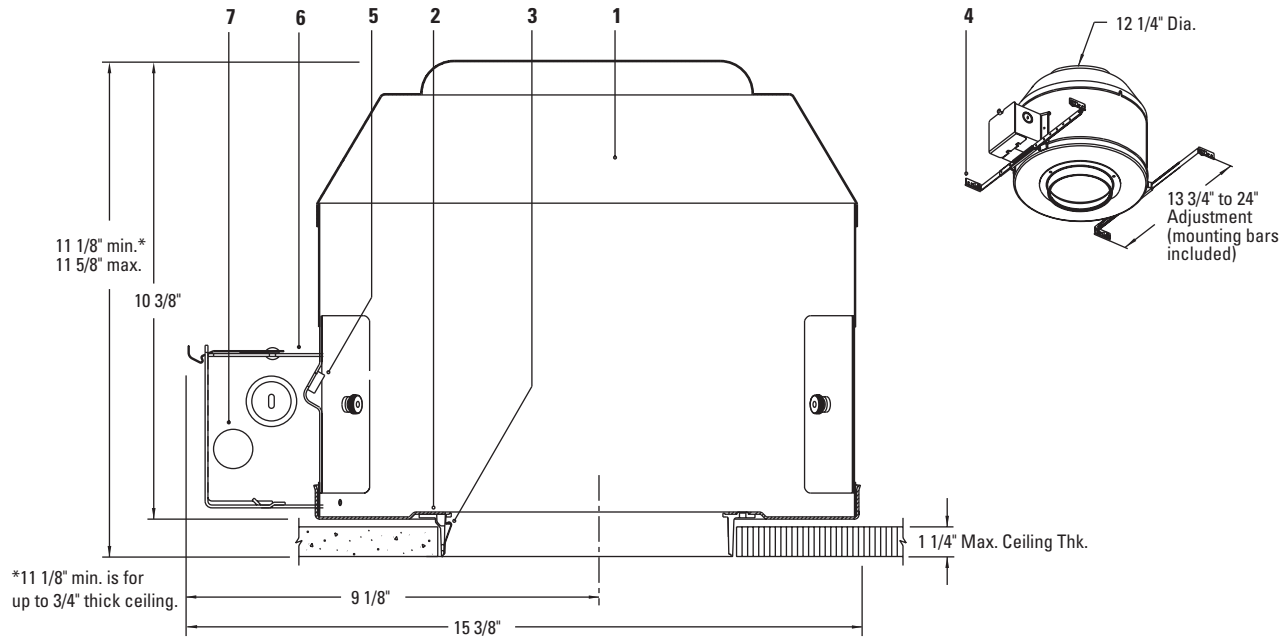


Calculite® Evolution Recessed Downlighting **C6DA120**

Page 1 of 1

6" Aperture Incandescent 120V Non-IC AirSeal® Frame-In Kit



Ceiling Cutout: 6 11/16" Dia.

Frame-In Kit	Reflector Trim				
C6DA120	Open Downlight	Open Downlight	Adjustable Accent	Open Wall Washer/Downlight	Lensed Wall Washer
	C6AD 100W BT15, MB19 150W A21	C6P38D 250W PAR38	C6P38A 120W PAR38	C6AW 100W BT15, MB19 200W A21	C6P38L 120W PAR38

Features

- Housing:** Steel, 0.03" (22 ga.). Top Cover: Aluminum, 0.04" (14 ga.). Matte black finish. AirSeal® housing minimizes air leakage to less than 2CFM at 1.57 PSF (or 75pa).
- Mounting Frame:** Die-cast aluminum for dry or plaster ceilings. Locks into position along length of mounting bars with locking screws.
- Retaining Springs:** Precision-tooled steel springs secure reflector trim to mounting frame for quick, tool-less installation.
- Mounting Bars:** Galvanized steel, 0.06" (16 ga.). Bars pivot for easy installation and wire-in below ceiling line. Bars extend to accommodate 16" to 24" O.C. joist spacing. Bars can accommodate 12" O.C. joist spacing after a slight field modification (see instruction sheet). Integral self-tapping screws secure to wood or metal construction. Built-in tabs for locking to T-bars without the need of accessories.
- Snap-In Connectors:** Keyed to accept power and socket harnesses which are provided with reflector trim.
- Junction Box:** Galvanized steel .063" (14 ga.). UL listed for maximum of 8 No. 12 AWG 90°C through branch circuit conductors. Accessible from inside and outside of fixture. Outside J-Box door is hinged for maximum opening. Snap-in plug is provided on inside cover for quick connection to power harness.
- Thermal Protector:** Meets NEC and UL requirements. Insulation must be kept 3" away from fixture sides and wiring compartments and must not be placed above fixture in a manner which will entrap heat.
- Reflector Trim:** Compatible reflector trims are listed above. See separate reflector trim specification sheets for complete catalog numbers and details.

Options & Accessories

Chicago Plenum Consult Factory

Labels

UL Listed (suitable for damp locations), I.B.E.W.
Air leakage is less than 2cfm at 75pa, tested in accordance with ASTM E283.

Job Information	Type:
Job Name:	
Cat. No.:	
Lamp(s):	
Notes:	