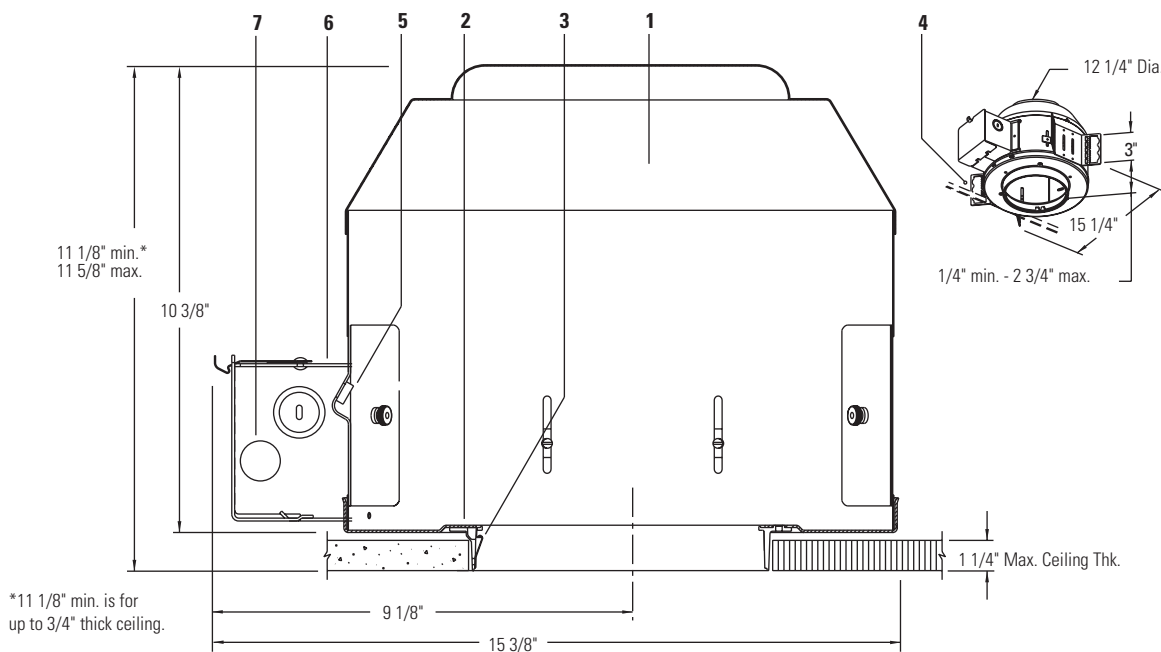


# Calculite® Evolution Recessed Downlighting **C6D120**



Ceiling Cutout: 6 11/16" Dia.

Frame-In Kit	Reflector Trim				
<b>C6D120</b>	Open Downlight	Open Downlight	Adjustable Accent	Open Wall Washer/Downlight	Lensed Wall Washer
	<b>C6AD</b> 100W BT15, MB19 150W A21	<b>C6P38D</b> 250W PAR38	<b>C6P38A</b> 120W PAR38	<b>C6AW</b> 100W BT15, MB19 200W A21	<b>C6P38L</b> 120W PAR38

## Features

- Housing:** Steel, 0.03" (22 ga.). Top Cover: Aluminum, 0.04" (14 ga.). Removable for top access. Matte black finish.
- Mounting Frame:** Die-cast aluminum for dry or plaster ceilings.
- Retaining Springs:** Precision-tooled steel springs secure reflector trim to mounting frame for quick, tool-less installation.
- Mounting Brackets:** Galvanized steel, 0.06" (16 ga.). Adjust from inside and outside of fixture. Use 3/4" or 1 1/2" lathing channel, 1/2" EMT (by others), or optional Lightolier mounting bars.
- Snap-In Connectors:** Keyed to accept power and socket harnesses which are provided with reflector trim.
- Junction Box:** Galvanized steel .063" (14 ga.). UL listed for maximum of 8 No. 12 AWG 90°C through branch circuit conductors. Accessible from inside and outside of fixture. Outside J-Box door is hinged for maximum opening. Snap-in plug is provided on inside cover for quick connection to power harness.
- Thermal Protector:** Meets NEC and UL requirements. Insulation must be kept 3" away from fixture sides and wiring compartments and must not be placed above fixture in a manner which will entrap heat.
- Reflector Trim:** Compatible reflector trims are listed above. See separate reflector trim specification sheets for complete catalog numbers and details.

## Options & Accessories

- Mounting Bars:** **1950** - 18" set of (2)  
**1951** - 27" set of (2)
- T-Bars Anchor Clips:** **1956** - set of (4) for use w/bars above.
- Wood Joist Telescoping Bars:** **7994** - set of (2)
- Chicago Plenum** Add **LC** to frame suffix

## Labels

UL listed (suitable for damp locations), I.B.E.W.

Job Information	Type:
<b>Job Name:</b>	
<b>Cat. No.:</b>	
<b>Lamp(s):</b>	
<b>Notes:</b>	

Lightolier a Genlyte company [www.lightolier.com](http://www.lightolier.com)  
 631 Airport Road, Fall River, MA 02720 • (508) 679-8131 • Fax (508) 674-4710  
 We reserve the right to change details of design, materials and finish.  
 © 2011 Genlyte Group LLC • C0711

**LIGHTOLIER®**