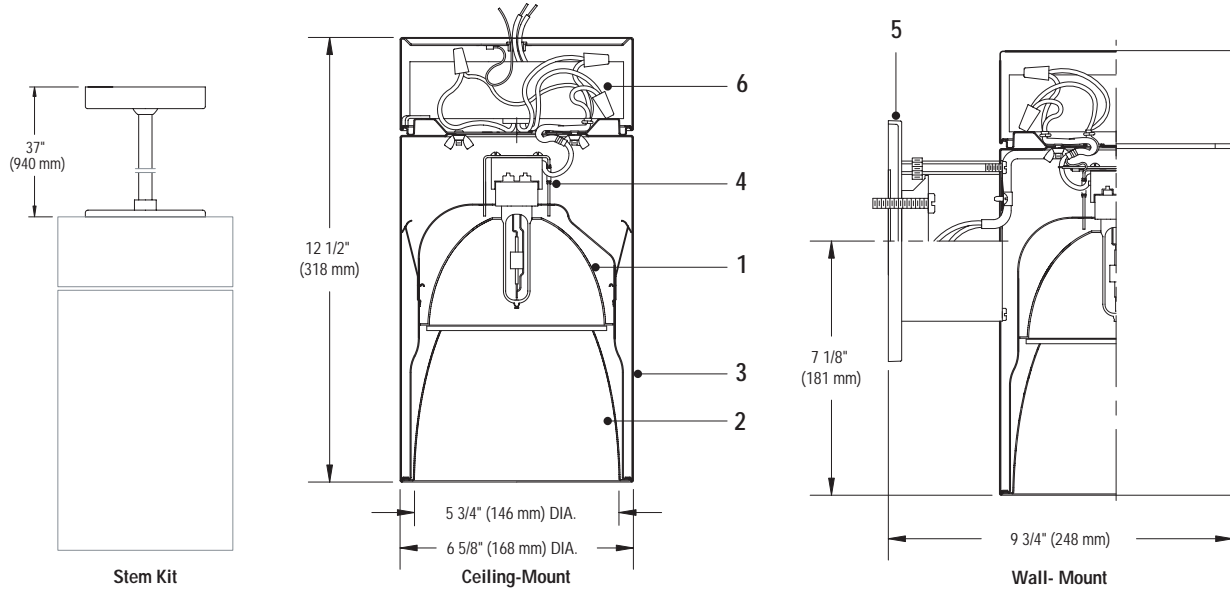


Calculite® HID Surface Cylinder **C6CS-C6T6VW**



Reflector Trim		Cylinder Housing		Lamp		
C6T6VW	CL	Specular Clear, Minimal Flange.	Ceiling-Mount	Wall-Mount		
	CCD	Comfort Clear Diffuse, Minimal Flange.	C6CS39T6E1	C6CW39T6E1	Electronic 120V	39W T6 Ceramic MH
	CCZ	Champagne Bronze, Minimal Flange.	C6CS39T6E2	C6CW39T6E2	Electronic 277V	39W T6 Ceramic MH
			C6CS70T6E1	C6CW70T6E1	Electronic 120V	70W T6 Ceramic MH
			C6CS70T6E2	C6CW70T6E2	Electronic 277V	70W T6 Ceramic MH

Features

- Upper Reflector:** Clear anodized aluminum, 0.040" (16-ga.). Provides wide beam optics. Also available in narrow and medium beam, see specification sheets C6CS-C6T6VN and C6CS-C6T6VM.
- Aperture Cone:** Low brightness with 50° cut-off to lamp and lamp image. Anodized aluminum minimal flange. Supports captive lamp shield. Cone is removable for relamping.
- Cylinder Housing:** Two-piece, white baked enamel seamless aluminum.
- Socket Housing:** Galvanized steel, pre-wired with G12 pulse rated socket. Snaps onto upper reflector for secure attachment without tools; assures proper lamp alignment to optics for consistent performance.
- Wall Mount Back Plate:** Cast aluminum, suitable for mounting over 4" octagon outlet box.
- Electronic Ballast:** 120V or 277V. Encased, high power factor, T.H.D. <15%, thermally and transient protected, RMI/RFI complies with FCC Part 18 non-consumer limits, shut-down circuit at end of lamp life, sound rating "A", -5 ° F minimum starting temperature, Type 1 outdoor rating.

Ballast	ANSI Code	Voltage	Max. Amps	Input Watts
39W MH	M130	120/277	0.39/0.17	44
70W MH	M139	120/277	0.67/0.29	78

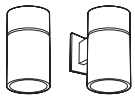
Options and Accessories

- C4CSW:** Stem Kit – White (45° Swivel, 37" Long) Provided with 5/8" dia. Stem and 5 1/2" Canopy. Self-aligning swivel provides max. 45° vertical tilting. Installs over 4" octagonal outlet box. Stem can be cut to length on site.

Labels

UL (Suitable for Wet Locations), CSA, I.B.E.W.

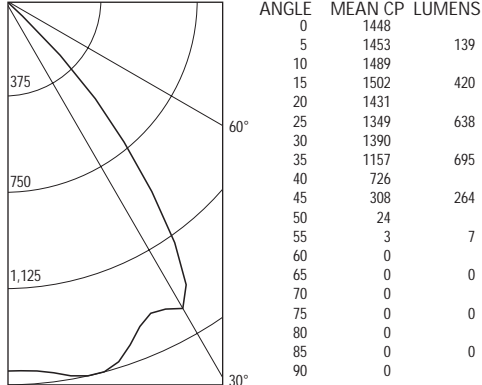
Job Information	Type:
Job Name:	
Cat. No.:	
Lamp(s):	
Notes:	



Calculite® HID Surface Cylinder **C6CS-C6T6VW**

39W T6 PHILIPS CERAMIC MH, LAMP LUMEN RATING = 3400 LMS, AROMAT ELECTRONIC BALLAST, CL FINISH TRIM

CANDLEPOWER DISTRIBUTION



LUMINANCE SUMMARY CD. / SQ. M.

ANGLE	MEAN CD/SQ.M
45	26087
55	338
65	0
75	0
85	0

Coefficients of Utilization

CEILING	80%		70%		50%		30%		0		
	70	50	30	10	50	10	50	10			
WALL	Zonal Cavity Method - Effective Floor Cavity Reflectance = 20%										
RCR	Zonal Cavity Method - Effective Floor Cavity Reflectance = 20%										
0	.76	.76	.76	.76	.74	.74	.71	.71	.68	.68	.64
1	.73	.71	.70	.68	.70	.67	.67	.65	.65	.63	.60
2	.70	.67	.64	.62	.66	.62	.63	.60	.62	.59	.57
3	.66	.62	.59	.57	.61	.56	.60	.56	.58	.55	.53
4	.63	.58	.55	.53	.58	.52	.56	.52	.55	.51	.49
5	.60	.55	.51	.48	.54	.48	.53	.48	.52	.47	.46
6	.57	.51	.47	.45	.51	.44	.50	.44	.49	.44	.43
7	.53	.48	.44	.41	.47	.41	.46	.41	.45	.40	.39
8	.50	.44	.40	.38	.44	.37	.43	.37	.42	.37	.36
9	.47	.41	.37	.34	.41	.34	.40	.34	.39	.34	.33
10	.44	.38	.34	.31	.38	.31	.37	.31	.37	.31	.30

ZONAL LUMENS AND PERCENTAGES			
ZONE	LUMENS	% LAMP	%LUMINAIRE
0-30	1197	35.22	55.34
0-40	1893	55.68	87.47
0-60	2164	63.65	100
0-90	2164	63.65	100
40-90	271	7.97	12.53
60-90	0	0	0
90-180	0	0	0
0-180	2164	63.65	100

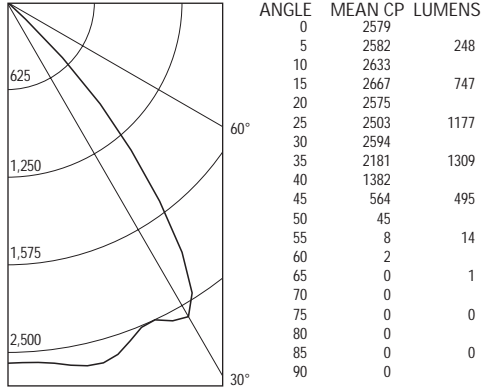
LUMINAIRE INPUT WATTS = 44

** EFFICIENCY = 63.7% **
SC = 1.2

CERTIFIED TEST REPORT NO. 2327FR, DATE: OCT 25, 2003
COMPUTED BY LSI PROGRAM **TEST-LITE**

70W T6 PHILIPS CERAMIC MH, LAMP LUMEN RATING = 6600 LMS, AROMAT ELECTRONIC BALLAST, CL FINISH TRIM

CANDLEPOWER DISTRIBUTION



LUMINANCE SUMMARY CD. / SQ. M.

ANGLE	MEAN CD/SQ.M
45	47753
55	792
65	11
75	0
85	0

Coefficients of Utilization

CEILING	80%		70%		50%		30%		0		
	70	50	30	10	50	10	50	10			
WALL	Zonal Cavity Method - Effective Floor Cavity Reflectance = 20%										
RCR	Zonal Cavity Method - Effective Floor Cavity Reflectance = 20%										
0	.72	.72	.72	.72	.71	.71	.67	.67	.65	.65	.61
1	.69	.67	.66	.65	.66	.64	.64	.62	.61	.60	.57
2	.66	.63	.61	.59	.62	.58	.60	.57	.58	.56	.54
3	.63	.59	.56	.54	.58	.53	.57	.53	.55	.52	.50
4	.60	.55	.52	.50	.55	.49	.53	.49	.52	.48	.47
5	.56	.52	.48	.45	.51	.45	.50	.45	.49	.44	.43
6	.54	.48	.45	.42	.48	.42	.47	.42	.46	.41	.40
7	.50	.45	.41	.39	.44	.38	.44	.38	.43	.38	.37
8	.48	.42	.38	.35	.41	.35	.41	.35	.40	.35	.34
9	.45	.39	.35	.32	.38	.32	.38	.32	.37	.32	.31
10	.42	.36	.32	.29	.35	.29	.35	.29	.34	.29	.28

ZONAL LUMENS AND PERCENTAGES			
ZONE	LUMENS	% LAMP	%LUMINAIRE
0-30	2172	32.91	54.43
0-40	3481	52.75	87.24
0-60	3990	60.46	99.98
0-90	3990	60.47	100
40-90	509	7.72	12.76
60-90	0	0.01	0.02
90-180	0	0	0
0-180	3990	60.47	100

LUMINAIRE INPUT WATTS = 78

** EFFICIENCY = 60.5% **
SC = 1.2

CERTIFIED TEST REPORT NO. 2323FR, DATE: OCT 04, 2003
COMPUTED BY LSI PROGRAM **TEST-LITE**

LIGHTOLIER®

Job Information Type: