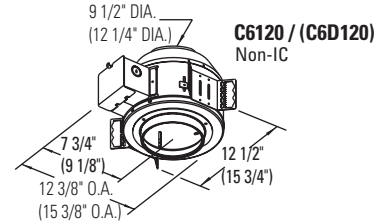
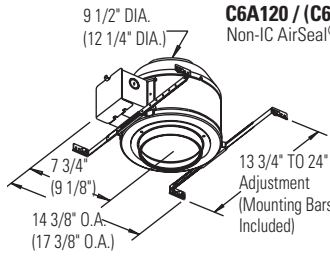
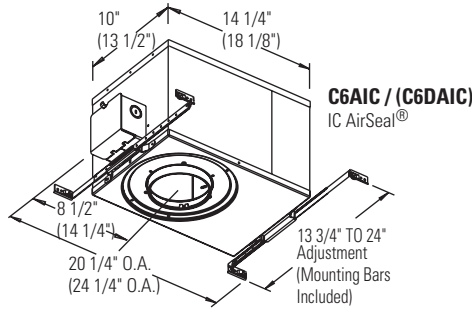
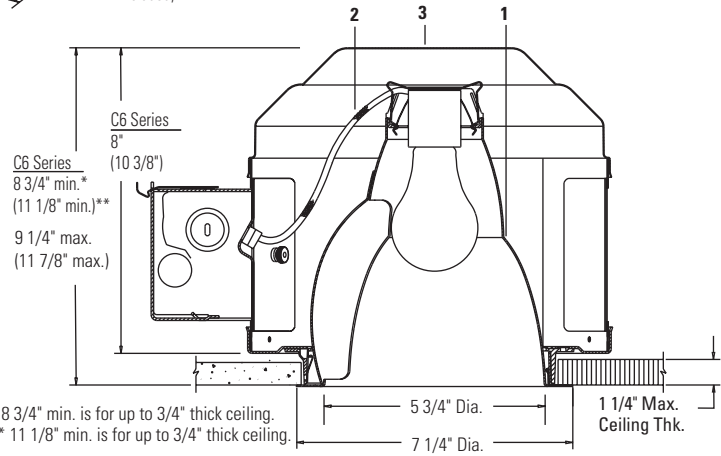
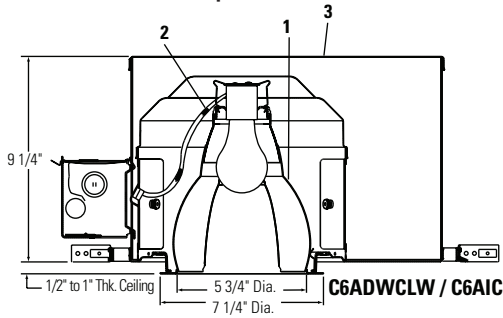




Calculite® Evolution Incandescent Open Wall Washer **C6AW**



Note: Dimensions with parentheses refer to the C6D series.



Ceiling Cutout: 6 11/16" (170 mm) Dia.

C6AWCLW / C6120 or C6AWCLW / C6A120
C6AWCLW / C6D120 or C6AWCLW / C6DA120

| Single Wall Wash Trim | Shallow Frame-In Kit | Deep Frame-In Kit |
|---|------------------------------------|--|
| C6AW CLW Specular Clear, White Flange | Non-IC Non-IC AirSeal® IC-AirSeal® | Non-IC Non-IC AirSeal® IC-AirSeal® |
| C6AW CLP Specular Clear, Polished Flange | C6120 C6A120 C6AIC | C6D120 C6DA120 C6DAIC |
| C6AW <input type="checkbox"/> Add suffix. See options for other finishes. | 100W A19, BT15, MB19 | 100W A19, BT15, MB19, 200W A21 100W A19, MB19, BT15, 150W A21 |
| Corner Wall Wash Trim | Shallow Frame-In Kit | Deep Frame-In Kit |
| C6ACW CLW Specular Clear, White Flange | Non-IC Non-IC AirSeal® IC-AirSeal® | Non-IC Non-IC AirSeal® IC-AirSeal® |
| C6ACW CLP Specular Clear, Polished Flange | C6120 C6A120 C6AIC | C6D120 C6DA120 C6DAIC |
| C6ACW <input type="checkbox"/> Add suffix. See options for other finishes. | 100W A19, A21, BT15, MB19 | 100W A19, BT15, MB19, 135W A21 |
| Double Wall Wash Trim | Shallow Frame-In Kit | Deep Frame-In Kit |
| C6ADW CLW Specular Clear, White Flange | Non-IC Non-IC AirSeal® IC-AirSeal® | Non-IC Non-IC AirSeal® IC-AirSeal® |
| C6ADW CLP Specular Clear, Polished Flange | C6120 C6A120 C6AIC | C6D120 C6DA120 C6DAIC |
| C6ADW <input type="checkbox"/> Add suffix. See options for other finishes. | 100W A19, A21, BT15, MB19 | 100W A19, BT15, MB19, 135W A21 |

Features

- Reflector:** 16 ga. Alzak® aluminum, 50° visual cutoff to lamp and lamp image. "Cut-window" in downlight reflector exposes kick reflector to provide vertical surface wall washing. Available with painted white or polished flange. Interchangeable with other Evolution 6" line voltage trims.
- Socket Harness:** Spring tension clips snap into die-cast aluminum top at pre-focused positions insuring correct optical alignment. Medium base porcelain socket with nickel plated screw shell, No. 18 SF-1 leads to keyed plug-in quick connector for power connection to junction box.
- Frame-in-Kit:** Compatible frame-in kits are listed above. See separate frame-in kit specification sheets for details.
Non-IC and Non-IC AirSeal® - Thermal insulation shall not be installed above a recessed luminaire (fixture) or within 3 in. (75 mm) of the recessed luminaire's (fixture's) enclosure or wiring compartment.
IC-AirSeal® - Fixture may be in direct contact with insulation.

Options & Accessories

Reflector Finishes¹

| | | |
|------------------------------|------------|--------------------------------|
| Clear | CL | Champagne Bronze/Black |
| Comfort Clear Diffuse | CCD | (consult factory for Champagne |
| Specular Gold | GD | or Black) |
| White | WH | |

¹Specify desired flange **W** White, **P** Polished

Labels

UL Listed (suitable for damp locations), I.B.E.W.

Alzak® is a registered trademark of ALCOA.

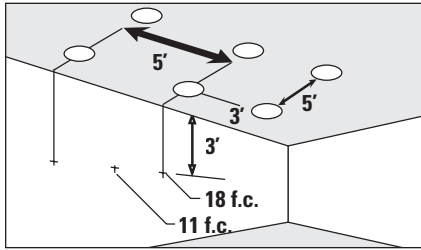
| Job Information | Type: |
|------------------|-------|
| Job Name: | |
| Cat. No.: | |
| Lamp(s): | |
| Notes: | |

Lightolier a Genlyte company www.lightolier.com
 631 Airport Road, Fall River, MA 02720 • (508) 679-8131 • Fax (508) 674-4710
 We reserve the right to change details of design, materials and finish.
 © 2011 Genlyte Group LLC • D0711

LIGHTOLIER®



Lighting Data



Example: With Clear Alzak® and 150W A-21 units, located 3' from wall and 5' on center, (matching downlights 5' on center), the illumination on the wall 3' down from the ceiling is 18 f.c. beneath and 11 f.c. between fixtures.

Footcandles on Wall From Multiple Units - Clear Alzak® with 150W A21

| | | UNITS 2 FEET FROM WALL | | | | | | | | | | | |
|----------------------------|---|------------------------|----|----|----|----|----|----|----|----|--|--|--|
| | | 2' | | | 3' | | | 4' | | | | | |
| DISTANCE FROM CEILING, FT. | 1 | 45 | 42 | 45 | 36 | 23 | 36 | 34 | 12 | 34 | | | |
| | 2 | 54 | 51 | 54 | 41 | 30 | 41 | 37 | 18 | 37 | | | |
| | 3 | 48 | 47 | 48 | 34 | 30 | 34 | 31 | 17 | 31 | | | |
| | 4 | 42 | 41 | 42 | 28 | 29 | 28 | 23 | 20 | 23 | | | |
| | 5 | 33 | 33 | 34 | 22 | 23 | 22 | 17 | 18 | 17 | | | |
| | 6 | 26 | 26 | 26 | 18 | 18 | 18 | 13 | 14 | 13 | | | |
| | 7 | 21 | 21 | 21 | 14 | 14 | 14 | 11 | 11 | 11 | | | |
| | 8 | 16 | 17 | 16 | 12 | 12 | 12 | 9 | 9 | 9 | | | |
| | 9 | 13 | 13 | 13 | 10 | 10 | 10 | 8 | 8 | 8 | | | |

| | | 3' | | | 4' | | | 5' | | | 6' | | |
|----------------------------|---|----|----|----|----|----|----|----|----|----|----|---|----|
| DISTANCE FROM CEILING, FT. | 1 | 13 | 12 | 13 | 11 | 9 | 11 | 10 | 6 | 10 | 10 | 4 | 10 |
| | 2 | 25 | 23 | 25 | 20 | 16 | 20 | 19 | 11 | 19 | 10 | 8 | 18 |
| | 3 | 25 | 23 | 25 | 20 | 16 | 20 | 18 | 11 | 18 | 17 | 8 | 17 |
| | 4 | 22 | 22 | 22 | 18 | 16 | 18 | 16 | 11 | 16 | 15 | 8 | 15 |
| | 5 | 21 | 21 | 21 | 16 | 16 | 16 | 14 | 12 | 14 | 13 | 9 | 13 |
| | 6 | 19 | 19 | 19 | 14 | 15 | 14 | 12 | 12 | 12 | 10 | 9 | 10 |
| | 7 | 17 | 16 | 17 | 13 | 13 | 13 | 10 | 11 | 10 | 9 | 9 | 9 |
| | 8 | 14 | 14 | 14 | 11 | 11 | 11 | 9 | 9 | 9 | 7 | 8 | 7 |
| | 9 | 12 | 13 | 12 | 10 | 10 | 10 | 8 | 8 | 8 | 7 | 7 | 7 |

| | | 4' | | | 5' | | | 6' | | | 7' | | | 8' | | |
|----------------------------|---|----|----|----|----|----|----|----|---|----|----|---|----|----|---|----|
| DISTANCE FROM CEILING, FT. | 1 | 5 | 5 | 5 | 5 | 4 | 5 | 4 | 3 | 4 | 4 | 2 | 4 | 4 | 2 | 4 |
| | 2 | 12 | 11 | 12 | 10 | 8 | 10 | 9 | 6 | 9 | 9 | 5 | 9 | 9 | 3 | 9 |
| | 3 | 15 | 14 | 15 | 13 | 11 | 13 | 11 | 8 | 11 | 11 | 6 | 11 | 11 | 5 | 11 |
| | 4 | 14 | 13 | 14 | 12 | 10 | 12 | 11 | 8 | 11 | 10 | 6 | 10 | 10 | 5 | 10 |
| | 5 | 13 | 13 | 13 | 11 | 10 | 11 | 10 | 8 | 10 | 9 | 6 | 9 | 9 | 5 | 9 |
| | 6 | 13 | 12 | 13 | 10 | 10 | 10 | 9 | 8 | 9 | 9 | 6 | 9 | 8 | 5 | 8 |
| | 7 | 12 | 12 | 12 | 10 | 10 | 10 | 8 | 8 | 8 | 8 | 7 | 8 | 7 | 5 | 7 |
| | 8 | 11 | 11 | 11 | 9 | 9 | 9 | 8 | 8 | 8 | 7 | 7 | 7 | 6 | 6 | 6 |
| | 9 | 10 | 10 | 10 | 8 | 8 | 8 | 7 | 7 | 7 | 6 | 6 | 6 | 5 | 5 | 5 |

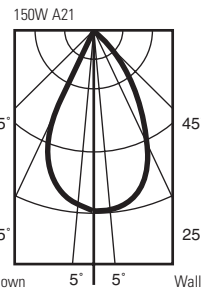
Footcandle values are averaged and rounded off and are based on a minimum of five units. For 100W A19, multiply footcandles by 0.6. For 100W BT15, multiply footcandles by 0.5.

| | | COEFFICIENTS OF UTILIZATION | | | | | | | | | | | | | | | | | | | | |
|-------------------|---|--|-----|-----|-----|-----|-----|-----|-----|-----|-----|-----|-----|-----|-----|-----|-----|-----|-----|---|--|--|
| | | % Effective Ceiling Cavity Reflectance | | | | | | | | | | | | | | | | | | | | |
| | | 80 | | | 70 | | | 50 | | | 30 | | | 10 | | | 0 | | | | | |
| | | % Wall Reflectance | | | | | | | | | | | | | | | | | | | | |
| | | 50 | | | 30 | | | 10 | | | 50 | | | 30 | | | 10 | | | 0 | | |
| Room Cavity Ratio | 1 | .62 | .60 | .59 | .61 | .59 | .58 | .58 | .57 | .56 | .56 | .55 | .55 | .54 | .54 | .53 | .52 | .48 | .45 | | | |
| | 2 | .57 | .55 | .53 | .56 | .54 | .52 | .54 | .53 | .51 | .53 | .51 | .50 | .51 | .50 | .49 | .42 | .38 | .36 | | | |
| | 3 | .53 | .50 | .48 | .52 | .50 | .48 | .51 | .49 | .47 | .50 | .48 | .46 | .48 | .47 | .46 | .36 | .33 | .31 | | | |
| | 4 | .50 | .47 | .44 | .49 | .46 | .44 | .48 | .45 | .43 | .47 | .45 | .43 | .46 | .44 | .42 | .28 | .26 | .26 | | | |
| | 5 | .46 | .43 | .40 | .46 | .43 | .40 | .45 | .42 | .40 | .44 | .41 | .40 | .43 | .41 | .39 | | | | | | |

20% Floor Cavity Reflectance

For 100W A19, multiply C.U.'s by 1.1
 For 100W BT15, multiply C.U.'s by 0.85

Candlepower Curve



Report 0850FR
 Efficiency = 56.1%

Downlight Spacing Ratio = 1.0

Job Information Type:

Lightolier a Genlyte company www.lightolier.com
 631 Airport Road, Fall River, MA 02720 • (508) 679-8131 • Fax (508) 674-4710
 We reserve the right to change details of design, materials and finish.
 © 2011 Genlyte Group LLC • D0711