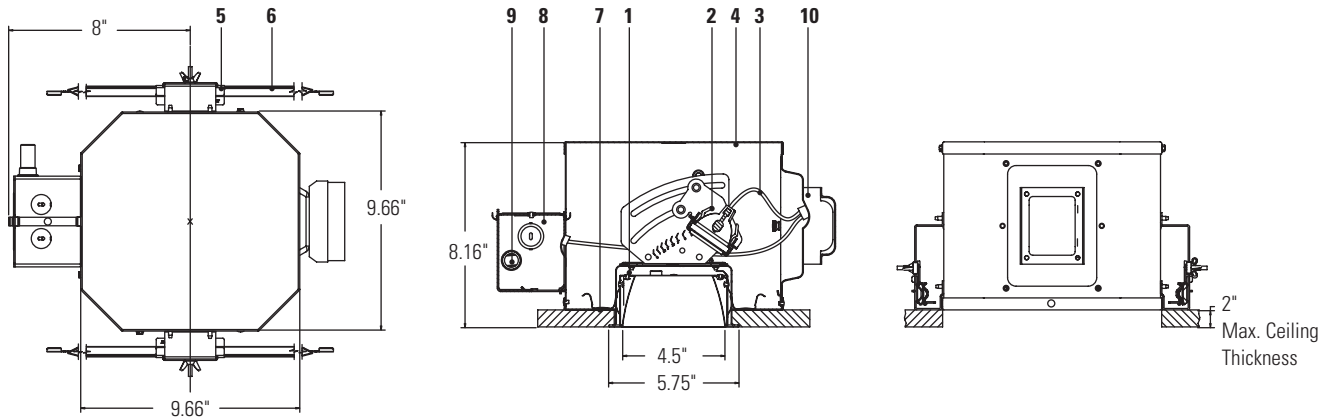


# Calculite Matrix Low Voltage Lensed Adj. Accent **C4X4MRW**

Page 1 of 2

4½" X 4½" Square Aperture (1) MR16 Low Voltage



Ceiling Cutout: 5 1/4" x 5 1/4" (130 mm x 130mm) Dia.

## Ordering Information

Frame-In Kits	Reflector Trims	Finish/Flange	Lamp
<b>C4X4LVMU</b> Magnetic 120/277V <b>C4X4LVE1</b> Electronic 120V <b>C4X4LVE2</b> Electronic 277V	<b>C4X4MRWCLW</b> <b>C4X4MRWCCLP</b> <b>C4X4MRWCCLW</b> <b>C4X4MRWCCLP</b> <b>C4X4MRWCDDW</b> <b>C4X4MRWCDDP</b> <b>C4X4MRWVHW</b>	Specular Clear/White Specular Clear/Polished Comfort Clear/White Comfort Clear/Polished Comfort Clear Diffuse/White Comfort Clear Diffuse/Polished White/White	(1) 12V MR16 Type Lamp 65W Max or IR 37W Max

## Features

- 1. Reflector Trim:** Available with integral flange in painted white or polished to match inside of cone.
- 2. Lamp Holder/Trim Adjustment Assembly:** Unitized optics ensure alignment of lamp and aperture cone regardless of ceiling thickness. EZ Aim™ gear-driven adjustment features an optimized lamp path to maximize light output at tilt angles up to 45°. Aiming indicator ensures accurate lamp positioning. Prismatic lens ships standard. Adjust trim kit vertically to accommodate up to 2" thick ceiling.
- 3. Socket:** Ceramic body with mica cover, GX5.3 (MR-16) base.
- 4. Frame Housing:** Steel, 0.029" (22-Ga.), matte black finish.
- 5. Frame Vertical Adjustment Mechanism:** Accommodates mounting to virtually any ceiling system using pre-installed mounting bars, or ½" EMT tubing (by others). Single locking feature secures all adjustments. Alignment holes and markings allow fixture to be pre-set prior to installation. Final adjustment can be made from below from inside the fixture.
- 6. Mounting Bars:** Galvanized steel, 0.048" (18-ga.), pre-installed telescoping bars extend to 30" long and lock securely into position. Built-in locking tabs provide positive attachment to common T-bar systems. Self-centering feature simplifies installation in 24" O.C. grid systems. Attaches to steel or wood joists without accessories.
- 7. Retention Springs:** Rust resistant springs secure trim for quick, tool-less installation.
- 8. Junction Box:** 0.059" (16-ga.) galvanized steel. UL listed for 8 No. 12 AWG, 90°C through branch circuit conductors. Allows inspection from below.
- 9. Thermal Protector:** Meets NEC and UL requirements. Do not install insulation above nor within 3" (76mm) of any part of the luminaire.
- 10. Transformer:** Replaceable from below. Magnetic: 120/277V 60 Hz. Dual-voltage, core & coil. Electronic: 120V or 277V 50/60 Hz., regulated lamp voltage, HPF, EMI and circuit protections, thermal auto-reset, quiet operation.

## Options and Accessories

- Accepts two optical accessories
- 2" diameter color filters/specialty filters: ADF2/AF2
- 2" diameter louver: AL2HC

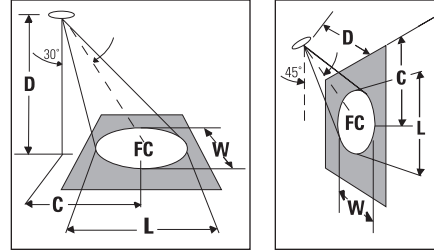
## Labels

UL, cUL (Suitable for Wet Locations)

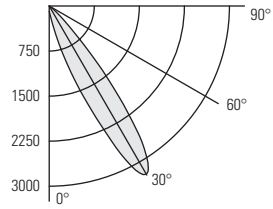
Job Information	Type:
<b>Job Name:</b>	
<b>Cat. No.:</b>	
<b>Lamp(s):</b>	
<b>Notes:</b>	

# Calculite Matrix Low Voltage Lensed Adj. Accent **C4X4MRW**

(FC) is initial footcandles at center of beam. Beam length (L) and beam width (W) are to where the candlepower is reduced to 50% of the center beam candlepower. (C) is the distance to the center of the beam.



## 4 1/2" x 4 1/2" Aperture 50W MR16 - 15°



Angle	CP
0	87
5	136
10	278
15	713
20	1478
25	2537
30	3228
35	2577
40	1289
45	420
50	119
55	12
60	0
65	0
70	0
75	0
80	0
85	0
90	0

50W MR 16 15° SP  
Lamp @ 30° Vertical Tilt  
Lumen Rating = 800 LMS.  
CBCP = 3228 CD  
Beam Angle = 15°  
Test Report No. 3500FR

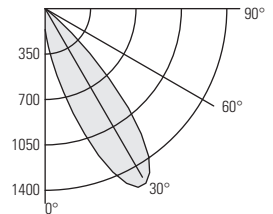
### 30° Aiming Angle - Horizontal Surface

D	C	FC	L	W
6'	3.5'	58	2.1'	1.8'
8'	4.6'	33	2.8'	2.4'
10'	5.8'	21	3.5'	3.0'
12'	6.9'	15	4.2'	3.6'
15'	8.7'	9	5.3'	4.6'

### 30° Aiming Angle - Vertical Surface

D	C	FC	L	W
2'	3.5'	101	2.2'	1.1'
3'	5.2'	45	3.3'	1.6'
4'	6.9'	25	4.4'	2.1'
6'	10.4'	11	6.7'	3.2'
8'	13.9'	6	8.9'	4.2'

## 4 1/2" x 4 1/2" Aperture 50W MR16 - 25°



Angle	CP
0	161
5	299
10	522
15	835
20	1204
25	1485
30	1553
35	1392
40	999
45	487
50	115
55	6
60	1
65	1
70	0
75	0
80	0
85	0
90	0

50W MR 16 25° FL  
Lamp @ 30° Vertical Tilt  
Lumen Rating = 800 LMS.  
CBCP = 1553 CD  
Beam Angle = 25°  
Test Report No. 3501FR

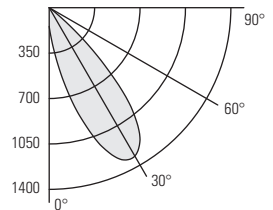
### 30° Aiming Angle - Horizontal Surface

D	C	FC	L	W
6'	3.5'	28	3.6'	3.1'
8'	4.6'	16	4.8'	4.1'
10'	5.8'	10	6.0'	5.1'
12'	6.9'	7	7.2'	6.1'
15'	8.7'	4	9.0'	7.7'

### 30° Aiming Angle - Vertical Surface

D	C	FC	L	W
2'	3.5'	49	4.2'	1.8'
3'	5.2'	22	6.2'	2.7'
4'	6.9'	12	8.3'	3.5'
6'	10.4'	5	12.5'	5.3'
8'	13.9'	3	16.6'	7.1'

## 4 1/2" x 4 1/2" Aperture 50W MR16 - 40°



Angle	CP
0	144
5	277
10	516
15	823
20	1107
25	1287
30	1320
35	1219
40	957
45	526
50	133
55	4
60	1
65	0
70	0
75	0
80	0
85	0
90	0

50W MR 16 40° FL  
Lamp @ 30° Vertical Tilt  
Lumen Rating = 800 LMS.  
CBCP = 1320 CD  
Beam Angle = 30°  
Test Report No. 3502FR

### 30° Aiming Angle - Horizontal Surface

D	C	FC	L	W
6'	3.5'	24	5.2'	4.4'
8'	4.6'	13	7.0'	5.8'
10'	5.8'	9	8.7'	7.3'
12'	6.9'	6	10.4'	8.7'
15'	8.7'	4	13.0'	10.9'

### 30° Aiming Angle - Vertical Surface

D	C	FC	L	W
2'	3.5'	41	7.2'	2.5'
3'	5.2'	18	10.8'	3.8'
4'	6.9'	10	14.4'	5.0'
6'	10.4'	5	21.6'	7.6'
8'	13.9'	3	28.8'	10.1'

**Job Information**

**Type:**