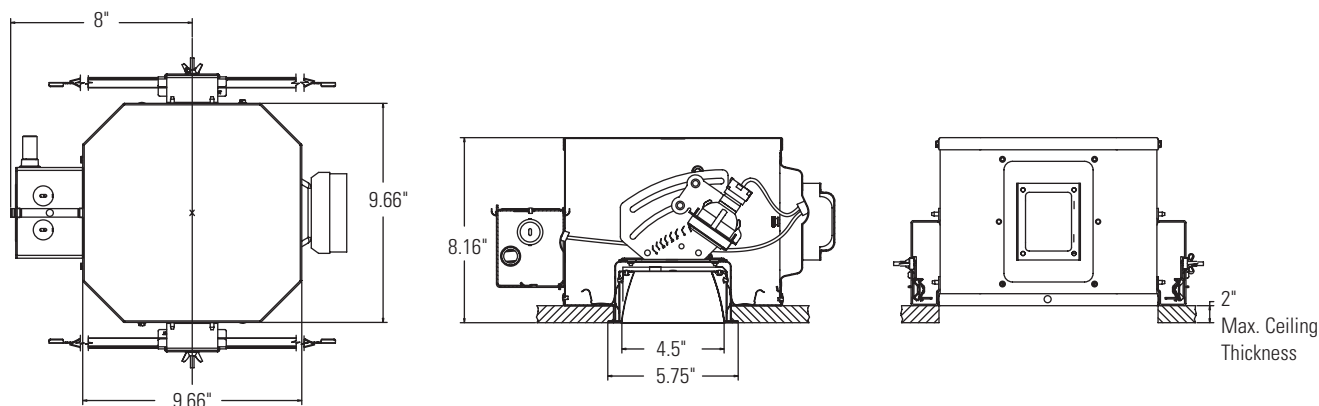


# Calculite Matrix HID Lensed Adj. Accent **C4X4MRW**

Page 1 of 2

4½" X 4½" Square Aperture (1) 20W CMH MR16



**Ceiling Cutout: 5 1/4" x 5 1/4" (130 mm x 130mm) Dia.**

## Ordering Information

Frame-In Kits	Reflector Trims	Finish/Flange	Lamp
<b>C4X420MREU</b> Electronic 120/277V	<b>C4X4MRWCLW</b> <b>C4X4MRWCPL</b> <b>C4X4MRWCCLW</b> <b>C4X4MRWCCLP</b> <b>C4X4MRWCCDW</b> <b>C4X4MRWCCDP</b> <b>C4X4MRWWHW</b>	Specular Clear/White Specular Clear/Polished Comfort Clear/White Comfort Clear/Polished Comfort Clear Diffuse/White Comfort Clear Diffuse/Polished White/White	(1) 20W MR16 CMH GX10 Base

## Features

- 1. Reflector Trim:** 55° physical and reflected cutoff. Available with integral flange painted white or polished to match inside of cone.
- 2. Lamp Holder/Trim Adjustment Assembly:** Unitized optics ensure alignment of lamp and aperture cone regardless of ceiling thickness. EZ Aim™ gear-driven adjustment features an optimized lamp path to maximize light output at tilt angles up to 45°. Aiming indicator ensures accurate lamp positioning. Solite lens ships standard. Adjust trim kit vertically to accommodate up to 2" thick ceiling.
- 3. Socket:** Twist and lock base. 5kV (600V) pulse rated PPS, black T240 body socket with nickel-plated contacts. 18 AWG silicone leads with fiberglass outer sleeve.
- 4. Frame Housing:** Steel, 0.029" (22-Ga.), matte black finish. Removable cover for top relamping.
- 5. Frame Vertical Adjustment Mechanism:** Accommodates mounting to virtually any ceiling system using pre-installed mounting bars, or ½" EMT tubing (by others). Single locking feature secures all adjustments. Alignment holes and markings allow fixture to be pre-set prior to installation. Final adjustment can be made from below from inside the fixture.
- 6. Mounting Bars:** Galvanized steel, 0.048" (18-ga.), pre-installed telescoping bars extend to 30" long and lock securely into position. Built-in locking tabs provide positive attachment to common T-bar systems. Self-centering feature simplifies installation in 24" O.C. grid systems. Attaches to steel or wood joists without accessories.
- 7. Retention Springs:** Rust resistant springs secure trim for quick, tool-less installation.
- 8. Ballast/Cover Assembly:** Accessible from below and removable without tools for inspection and ballast replacement.
- 9. Junction Box:** 0.059" (16-ga.) galvanized steel. UL listed for 8 No. 12 AWG, 90°C through branch circuit conductors. Allows inspection from below.

## Features (continued)

- 10. Thermal Protector:** Meets NEC and UL requirements. Do not install insulation above nor within 3" (76mm) of any part of the luminaire.
- 11. Electronic Ballast:** 120 or 277V, 50/60 Hz., enclosed, high power factor >0.99, THD <10%, thermally and transient protected, RMI/RFI complies with FCC Part 18 non-consumer limits, shut-down at end of lamp life, sound rating "A", Minimum starting temperature -30°, Type 1 Outdoor rating.

Ballast	ANSI Code	Voltage	Max. Amps	Input Watts
20W MH	M156	120/277V	0.20/0.09	22

## Options and Accessories

Accepts one optical accessory  
2" diameter color filter/specialty filter: ADF2/AF2  
2" diameter louver: AL2HC

## Labels

UL, cUL (Suitable For Wet Locations)

## Job Information

**Type:**

**Job Name:**

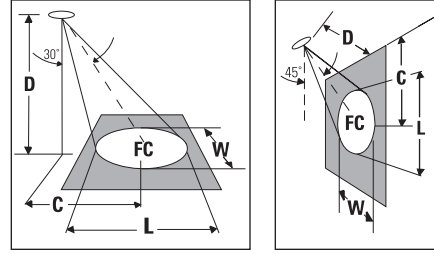
**Cat. No.:**

**Lamp(s):**

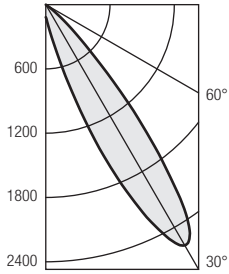
**Notes:**

# Calculite Matrix HID Lensed Adj. Accent **C4X4MRW**

(FC) is initial footcandles at center of beam. Beam length (L) and beam width (W) are to where the candlepower is reduced to 50% of the center beam candlepower. (C) is the distance to the center of the beam.



## 4½" x 4½" Aperture 20W CMH MR16 - 12°



Angle	CP	20W G.E.HID MR16 12° SP, GX10 BASE
0	117	
5	166	
10	297	
15	644	Lamp @ 30° Vertical Tilt
20	1352	
25	2138	
30	2595	Lumen Rating = 1000 LMS.
35	2154	CBCP = 2595 CD
40	1201	Beam Angle = 16°
45	476	Test Report No. 3421FR
50	159	
55	26	
60	0	
65	0	
70	0	
75	0	
80	0	
85	0	
90	0	

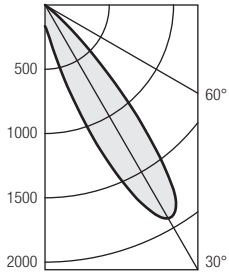
### 30° Aiming Angle - Horizontal Surface

D	C	FC	L	W
6'	3.5'	47	1.7'	1.5'
8'	4.6'	26	2.3'	1.9'
10'	5.8'	17	2.8'	2.4'
12'	6.9'	12	3.4'	2.9'
14'	8.1'	9	3.9'	3.4'

### 30° Aiming Angle - Vertical Surface

D	C	FC	L	W
2'	3.5'	81	1.7'	0.8'
3'	5.2'	36	2.6'	1.3'
4'	6.9'	20	3.5'	1.7'
5'	8.7'	13	4.3'	2.1'
6'	10.4'	9	5.2'	2.5'

## 4½" x 4½" Aperture 20W CMH MR16-25°



Angle	CP	20W G.E.HID MR16 40° FL, GX10 BASE
0	165	
5	210	
10	335	
15	628	Lamp @ 30° Vertical Tilt
20	1107	
25	1630	
30	1914	Lumen Rating = 1000 LMS.
35	1730	CBCP = 1914 CD
40	1075	Beam Angle = 22°
45	453	Test Report No. 3418FR
50	104	
55	7	
60	2	
65	1	
70	1	
75	1	
80	1	
85	1	
90	1	

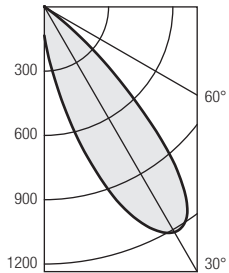
### 30° Aiming Angle - Horizontal Surface

D	C	FC	L	W
6'	3.5'	35	3.1'	2.7'
8'	4.6'	19	4.2'	3.6'
10'	5.8'	12	5.2'	4.5'
12'	6.9'	9	6.3'	5.4'
14'	8.1'	6	7.3'	6.3'

### 30° Aiming Angle - Vertical Surface

D	C	FC	L	W
2'	3.5'	60	3.5'	1.6'
3'	5.2'	27	5.3'	2.3'
4'	6.9'	15	7.0'	3.1'
5'	8.7'	10	8.8'	3.9'
6'	10.4'	7	10.5'	4.7'

## 4½" x 4½" Aperture 20W CMH MR16-40°



Angle	CP	20W G.E.HID MR16 40° FL, GX10 BASE
0	134	
5	241	
10	417	
15	676	Lamp @ 30° Vertical Tilt
20	940	
25	1128	
30	1214	Lumen Rating = 1000 LMS.
35	1164	CBCP = 1214 CD
40	928	Beam Angle = 30°
45	541	Test Report No. 3416FR
50	225	
55	43	
60	3	
65	0	
70	1	
75	1	
80	0	
85	1	
90	0	

### 30° Aiming Angle - Horizontal Surface

D	C	FC	L	W
6'	3.5'	22	4.4'	3.7'
8'	4.6'	12	5.9'	5.0'
10'	5.8'	8	7.3'	6.2'
12'	6.9'	5	8.8'	7.4'
14'	8.1'	4	10.2'	8.7'

### 30° Aiming Angle - Vertical Surface

D	C	FC	L	W
2'	3.5'	38	5.5'	2.1'
3'	5.2'	17	8.2'	3.2'
4'	6.9'	9	10.9'	4.3'
5'	8.7'	6	13.7'	5.4'
6'	10.4'	4	16.4'	6.4'

**Job Information**

**Type:**