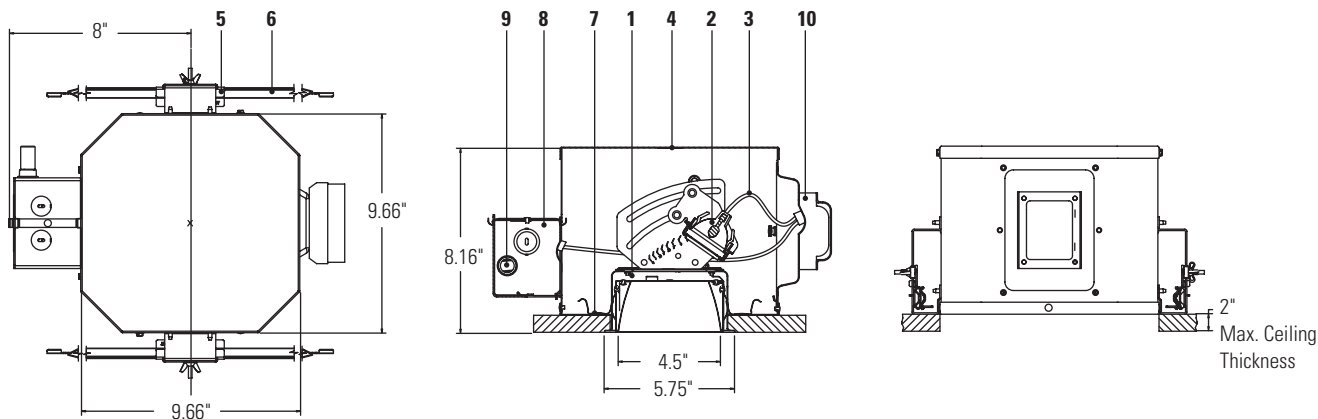


Calculite Matrix Low Voltage Adjustable Accent **C4X4MRA**

Page 1 of 2

4½" X 4½" Square Aperture (1) MR16 Low Voltage



Ceiling Cutout: 5 1/4" x 5 1/4" (130 mm x 130mm) Dia.

Ordering Information

Frame-In Kits	Reflector Trims	Finish/Flange	Lamp
C4X4LVMU Magnetic 120/277V C4X4LVE1 Electronic 120V C4X4LVE2 Electronic 277V	C4X4MRACLW C4X4MRACLP C4X4MRACCLW C4X4MRACCLP C4X4MRACCDW C4X4MRACCDP C4X4MRAWHW	Specular Clear/White Specular Clear/Polished Comfort Clear/White Comfort Clear/Polished Comfort Clear Diffuse/White Comfort Clear Diffuse/Polished White/White	(1) 12V MR16 Type Lamp 65W Max or IR 37W Max

Features

- 1. Reflector Trim:** Available with integral flange painted white or polished to match inside of cone.
- 2. Lamp Holder/Trim Adjustment Assembly:** Unitized optics ensure alignment of lamp and aperture cone regardless of ceiling thickness. EZ Aim™ gear-driven adjustment features an optimized lamp path to maximize light output at tilt angles up to 45°. Aiming indicator ensures accurate lamp positioning. Soft focus lens ships standard. Adjust trim kit vertically to accommodate up to 2" thick ceiling.
- 3. Socket:** Ceramic body with mica cover, GX5.3 (MR-16) base.
- 4. Frame Housing:** Steel, 0.029" (22-Ga.), matte black finish.
- 5. Frame Vertical Adjustment Mechanism:** Accommodates mounting to virtually any ceiling system using pre-installed mounting bars, or ½" EMT tubing (by others). Single locking feature secures all adjustments. Alignment holes and markings allow fixture to be pre-set prior to installation. Final adjustment can be made from below from inside the fixture.
- 6. Mounting Bars:** Galvanized steel, 0.048" (18-ga.), pre-installed telescoping bars extend to 30" long and lock securely into position. Built-in locking tabs provide positive attachment to common T-bar systems. Self-centering feature simplifies installation in 24" O.C. grid systems. Attaches to steel or wood joists without accessories.
- 7. Retention Springs:** Rust resistant springs secure trim for quick, tool-less installation.
- 8. Junction Box:** 0.059" (16-ga.) galvanized steel. UL listed for 8 No. 12 AWG, 90°C through branch circuit conductors. Allows inspection from below.
- 9. Thermal Protector:** Meets NEC and UL requirements. Do not install insulation above nor within 3" (76mm) of any part of the luminaire.
- 10. Transformer:** Replaceable from below. Magnetic: 120/277V 60 Hz. Dual-voltage, core & coil. Electronic: 120V or 277V 50/60 Hz., regulated lamp voltage, HPF, EMI and circuit protections, thermal auto-reset, quiet operation.

Options and Accessories

- Accepts two optical accessories
- 2" diameter color filters/specialty filters: ADF2/AF2
- 2" diameter louver: AL2HC

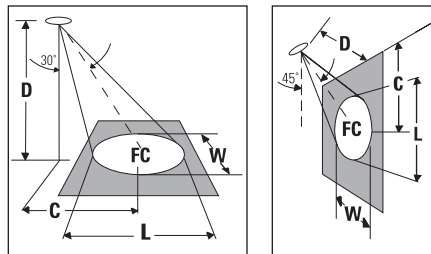
Labels

UL, cUL (Suitable for Damp Locations)

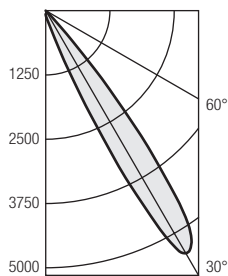
Job Information	Type:
Job Name:	
Cat. No.:	
Lamp(s):	
Notes:	

Calculite Matrix Low Voltage Adjustable Accent **C4X4MRA**

(FC) is initial footcandles at center of beam. Beam length (L) and beam width (W) are to where the candlepower is reduced to 50% of the center beam candlepower. (C) is the distance to the center of the beam.



4 1/2" x 4 1/2" Aperture 50W MR16-15°



Angle	CP
0	67
5	119
10	179
15	298
20	936
25	3228
30	5445
35	4422
40	1473
45	139
50	10
55	0
60	0
65	0
70	0
75	0
80	0
85	0
90	0

50W MR16 15° SP
Lamp @ 30° Vertical Tilt
Lumen Rating = 750 LMS.
CBCP = 5445 CD
Beam Angle = 15°
Test Report No. 3371FR

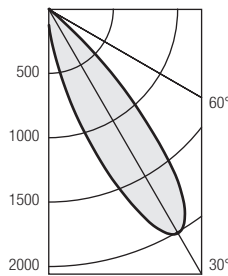
30° Aiming Angle - Horizontal Surface

D	C	FC	L	W
6'	3.5'	98	2.0'	1.7'
8'	4.6'	55	2.6'	2.3'
10'	5.8'	35	3.3'	2.8'
12'	6.9'	25	3.9'	3.4'
15'	8.7'	16	4.9'	4.3'

30° Aiming Angle - Vertical Surface

D	C	FC	L	W
2'	3.5'	170	2.1'	1.0'
3'	5.2'	76	3.1'	1.5'
4'	6.9'	43	4.1'	2.0'
6'	10.4'	19	6.2'	2.9'
8'	13.9'	11	8.2'	3.9'

4 1/2" x 4 1/2" Aperture 50W MR16-25°



Angle	CP
0	125
5	260
10	506
15	903
20	1370
25	1814
30	2010
35	1824
40	1264
45	610
50	58
55	3
60	1
65	0
70	0
75	1
80	0
85	0
90	0

50W MR16 25° FL
Lamp @ 30° Vertical Tilt
Lumen Rating = 800 LMS.
CBCP = 2010 CD
Beam Angle = 25°
Test Report No. 3372FR

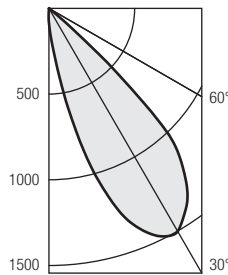
30° Aiming Angle - Horizontal Surface

D	C	FC	L	W
6'	3.5'	36	3.8'	3.2'
8'	4.6'	20	5.0'	4.3'
10'	5.8'	13	6.3'	5.3'
12'	6.9'	9	7.5'	6.4'
15'	8.7'	6	9.4'	8.0'

30° Aiming Angle - Vertical Surface

D	C	FC	L	W
2'	3.5'	63	4.4'	1.8'
3'	5.2'	28	6.6'	2.8'
4'	6.9'	16	8.8'	3.7'
6'	10.4'	7	13.2'	5.5'
8'	13.9'	4	17.6'	7.4'

4 1/2" x 4 1/2" Aperture 50W MR16-40°



Angle	CP
0	84
5	204
10	513
15	73
20	1299
25	1460
30	1502
35	1401
40	1217
45	799
50	92
55	2
60	1
65	1
70	0
75	0
80	0
85	0
90	0

50W MR16 40° FL
Lamp @ 30° Vertical Tilt
Lumen Rating = 800 LMS.
CBCP = 1502 CD
Beam Angle = 30°
Test Report No. 3373FR

30° Aiming Angle - Horizontal Surface

D	C	FC	L	W
6'	3.5'	27	4.9'	4.1'
8'	4.6'	15	6.5'	5.5'
10'	5.8'	10	8.1'	6.8'
12'	6.9'	7	9.8'	8.2'
15'	8.7'	4	12.2'	10.3'

30° Aiming Angle - Vertical Surface

D	C	FC	L	W
2'	3.5'	47	6.4'	2.4'
3'	5.2'	21	9.6'	3.6'
4'	6.9'	12	12.9'	4.7'
6'	10.4'	5	19.3'	7.1'
8'	13.9'	3	25.7'	9.5'

Job Information **Type:**