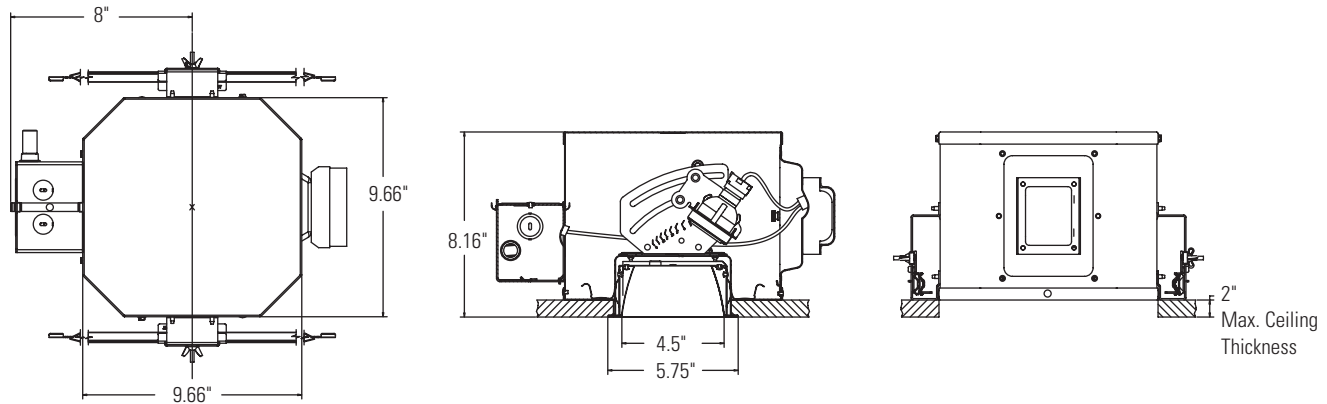


Calculite Matrix HID Adjustable Accent **C4X4MRA**

Page 1 of 2

4½" X 4½" Square Aperture (1) CMH MR16



Ceiling Cutout: 5 1/4" x 5 1/4" (130 mm x 130mm) Dia.

Ordering Information

Frame-In Kits	Reflector Trims	Finish/Flange	Lamp
C4X420MREU Electronic 120/277V C4X439MREU Electronic 120/277V	C4X4MRACLW C4X4MRACLP C4X4MRACCLW C4X4MRACCLP C4X4MRACCDW C4X4MRACCDP C4X4MRAWHW	Specular Clear/White Specular Clear/Polished Comfort Clear/White Comfort Clear/Polished Comfort Clear Diffuse/White Comfort Clear Diffuse/Polished White/White	(1) 20W MR16 CMH GX10 Base (1) 39W MR16 CMH GX10 Base

Features

- Reflector Trim:** 55° physical and reflected cutoff. Available with integral flange in painted white or polished to match inside of cone.
- Lamp Holder/Trim Adjustment Assembly:** Unitized optics ensure alignment of lamp and aperture cone regardless of ceiling thickness. Soft focus lens ships standard. Adjust trim kit vertically to accommodate up to 2" thick ceiling.
- Socket:** Twist and lock base. 5kV (600V) pulse rated PPS, black T240 body socket with nickel-plated contacts. 18 AWG silicone leads with fiberglass outer sleeve.
- Frame Housing:** Steel, 0.029" (22-Ga.), matte black finish.
- Frame Vertical Adjustment Mechanism:** Accommodates mounting to virtually any ceiling system using pre-installed mounting bars, or ½" EMT tubing (by others). Single locking feature secures all adjustments. Alignment holes and markings allow fixture to be pre-set prior to installation. Final adjustment can be made from below from inside the fixture.
- Mounting Bars:** Galvanized steel, 0.048" (18-ga.), pre-installed telescoping bars extend to 30" long and lock securely into position. Built-in locking tabs provide positive attachment to common T-bar systems. Self-centering feature simplifies installation in 24" O.C. grid systems. Attaches to steel or wood joists without accessories.
- Retention Springs:** Rust resistant springs secure trim for quick, tool-less installation.
- Ballast/Cover Assembly:** Accessible from below and removable without tools for inspection and ballast replacement.
- Junction Box:** 0.059" (16-ga.) galvanized steel. UL listed for 8 No. 12 AWG, 90°C through branch circuit conductors. Allows inspection from below.
- Thermal Protector:** Meets NEC and UL requirements. Do not install insulation above nor within 3" (76mm) of any part of the luminaire.

Features (continued)

- Electronic Ballast:** 120 or 277V, 50/60 Hz., enclosed, high power factor >0.99, THD <10%, thermally and transient protected, RMI/RFI complies with FCC Part 18 non-consumer limits, shut-down at end of lamp life, sound rating "A", Minimum starting temperature -30°, Type 1 Outdoor rating.

Ballast	ANSI Code	Voltage	Max. Amps	Input Watts
20W MH	M156	120/277V	0.20/0.09	22

Labels

UL, cUL (Suitable For Damp Locations)

Job Information

Type:

Job Name:

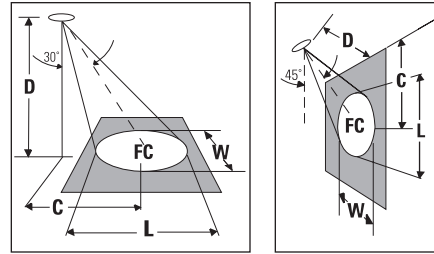
Cat. No.:

Lamp(s):

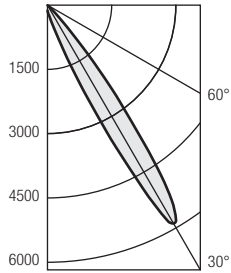
Notes:

Calculite Matrix HID Adjustable Accent **C4X4MRA**

(FC) is initial footcandles at center of beam. Beam length (L) and beam width (W) are where the candlepower is reduced to 50% of the center beam candlepower. (C) is the distance to the center of the beam.



4½" x 4½" Aperture 20W CMH MR16-12°



Angle	CP
0	124
5	197
10	270
15	501
20	1211
25	3241
30	5894
35	3925
40	1293
45	239
50	54
55	0
60	0
65	0
70	0
75	0
80	0
85	0
90	0

20W G.E.HID MR16 12° SP,
GX10 BASE

Lamp @ 30° Vertical Tilt

Lumen Rating = 1000 LMS.
CBCP = 5894 CD
Beam Angle = 12°
Test Report No. 3420FR

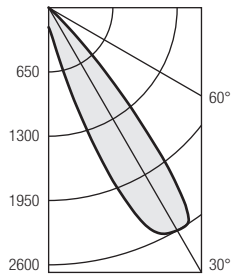
30° Aiming Angle - Horizontal Surface

D	C	FC	L	W
6'	3.5'	106	1.7'	1.5'
8'	4.6'	60	2.3'	1.9'
10'	5.8'	38	2.8'	2.4'
12'	6.9'	27	3.4'	2.9'
14'	8.1'	20	3.9'	3.4'

30° Aiming Angle - Vertical Surface

D	C	FC	L	W
2'	3.5'	184	1.7'	0.8'
3'	5.2'	82	2.6'	1.3'
4'	6.9'	46	3.5'	1.7'
5'	8.7'	29	4.3'	2.1'
6'	10.4'	20	5.2'	2.5'

4½" x 4½" Aperture 20W CMH MR16-25°



Angle	CP
0	198
5	254
10	418
15	904
20	1794
25	2485
30	2601
35	2385
40	1198
45	290
50	19
55	3
60	3
65	1
70	1
75	1
80	1
85	1
90	1

20W G.E.HID MR16 25° FL,
GX10 BASE

Lamp @ 30° Vertical Tilt

Lumen Rating = 1000 LMS.
CBCP = 2601 CD
Beam Angle = 22°
Test Report No. 3419FR

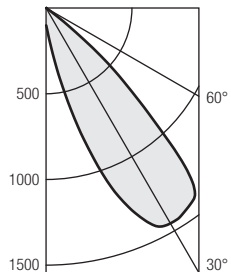
30° Aiming Angle - Horizontal Surface

D	C	FC	L	W
6'	3.5'	47	3.6'	3.1'
8'	4.6'	26	4.8'	4.1'
10'	5.8'	17	6.0'	5.1'
12'	6.9'	12	7.2'	6.1'
14'	8.1'	9	8.4'	7.2'

30° Aiming Angle - Vertical Surface

D	C	FC	L	W
2'	3.5'	81	4.2'	1.8'
3'	5.2'	36	6.2'	2.7'
4'	6.9'	20	8.3'	3.5'
5'	8.7'	13	10.4'	4.4'
6'	10.4'	9	12.5'	5.3'

4½" x 4½" Aperture 20W CMH MR16-40°



Angle	CP
0	101
5	172
10	364
15	717
20	1113
25	1368
30	1450
35	1430
40	1329
45	769
50	290
55	17
60	3
65	1
70	1
75	1
80	0
85	0
90	1

20W G.E.HID MR16 40° WFL,
GX10 BASE

Lamp @ 30° Vertical Tilt

Lumen Rating = 1000 LMS.
CBCP = 1450 CD
Beam Angle = 30°
Test Report No. 3417FR

30° Aiming Angle - Horizontal Surface

D	C	FC	L	W
6'	3.5'	26	4.4'	3.7'
8'	4.6'	15	5.9'	5.0'
10'	5.8'	9	7.3'	6.2'
12'	6.9'	7	8.8'	7.4'
14'	8.1'	5	10.2'	8.7'

30° Aiming Angle - Vertical Surface

D	C	FC	L	W
2'	3.5'	45	5.5'	2.1'
3'	5.2'	20	8.2'	3.2'
4'	6.9'	11	10.9'	4.3'
5'	8.7'	7	13.7'	5.4'
6'	10.4'	5	16.4'	6.4'

Job Information **Type:**