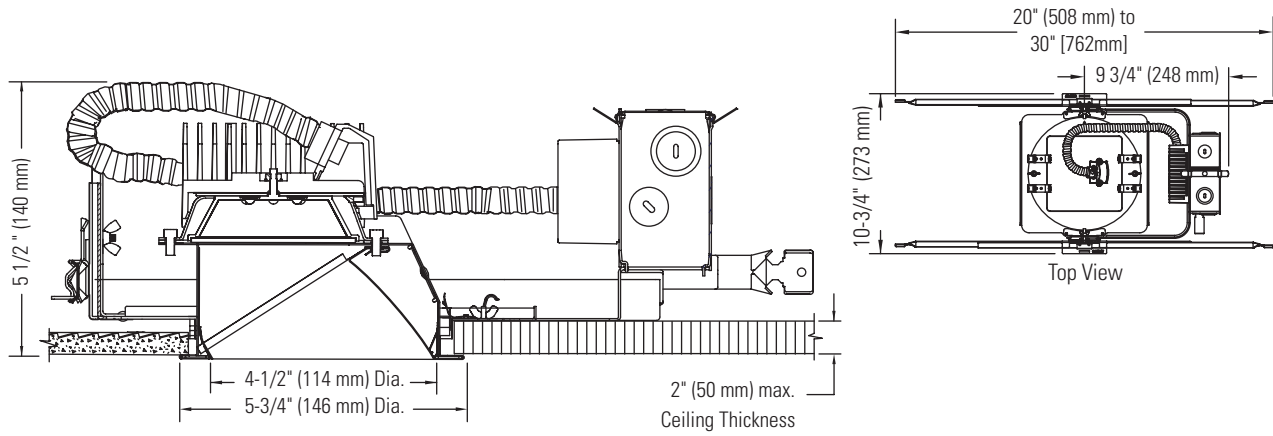


C4X4L10WW

Calculite LED 4 1/2" X 4 1/2" Lensed Wall Washer

Page 1 of 4



Ordering Guide: Light Engines

Light Engine Series	Style	Color Temperature	Reflector Finish	Flange
C4X4L10	WW (Lensed wall washer)	27K (2700K) 30K (3000K) 35K (3500K) 40K (4000K)	CL (Clear) CCL (Comfort Clear) CCD (Comfort Clear Diffuse) CCZ (Champagne Bronze) WH (Painted White)	W (Painted white) P (Aperture-matching/polished)

Example: C4X4L10WW35KCCLW

Ordering Guide: Frame-in Kits

Frame-in Kit Series	Installation Options	Input Voltage	Options
C4X4L10	N (New construction)	1 (120V) 2 (277V)*	Blank (Electronic low voltage dimming) EM (Emergency) LD (Lutron driver) Z10V (0-10V dimming)
CUL10	J (J-box mount retrofit) S (Screw-in base retrofit (120V only))	1 (120V) 2 (277V)*	Blank (Electronic low voltage dimming) LD (Lutron driver) Z10V (0-10V dimming)

Example: C4L05N1EM

*277V dimming applications require LD or Z10V option.

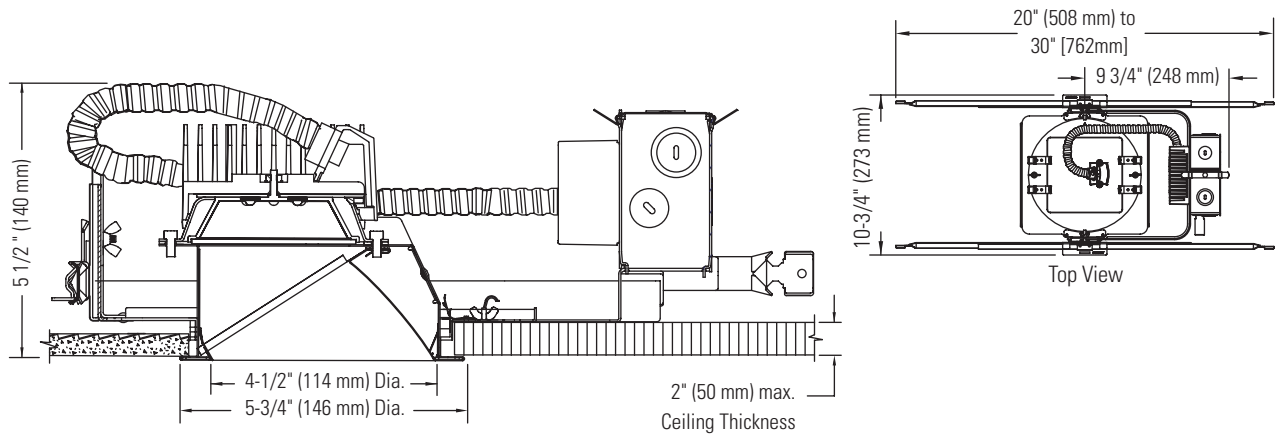
Job Information	Type:
Job Name:	
Cat. No.:	
Notes:	

PHILIPS
LIGHTOLIER

C4X4L10WW

Calculite LED 4 1/2" X 4 1/2" Lensed Wall Washer

Page 2 of 4



Features

Aperture: 4 5/8" x 4 5/8" (117mm) I.D., 5 13/16" (148mm) O.D.

Input Wattage: 20W (+/- 5%)

Reflector Cone: Aluminum. Provides 50° cutoff to source & source image. Self-flanged.

Spread Lens: Clear prismatic.

Depth (including Frame-in kit): 5 1/4" (133mm)

Power Connection: Attaches to frame-in kit via push-in connector (on frame). Removable cover provides access.

Technology

LED Board: Array of high brightness royal blue LED's.

Remote Phosphor Technology: Remote phosphor technology provides increased efficiency and color consistency. Phosphor lens assembly positioned in front of LED array converts blue light to white. Color shift will not exceed +/- 100K over life.

Optical Mixing Chamber: Lightolier-specific mixing chamber redirects back-reflected light through aperture resulting in 20% increase in efficiency.

Thermal Management: Heat sink and thermal design along with clean room assembly ensures specified performance.

Rated Life: Based on IESNA LM-80-2008 50,000 hours at 70% lumen maintenance.

Technology (continued)

Photometric Performance: Tested in accordance to IESNA LM-79-2008

Options

Dimming Capability: See LED-DIM specification sheet

Emergency Capability (Integral): Add "EM" suffix. See LED-EM spec sheet.

Emergency Capability (Inverter): See LED-LMI specification sheet

Labels

UL (suitable for wet locations), cUL, I.B.E.W.

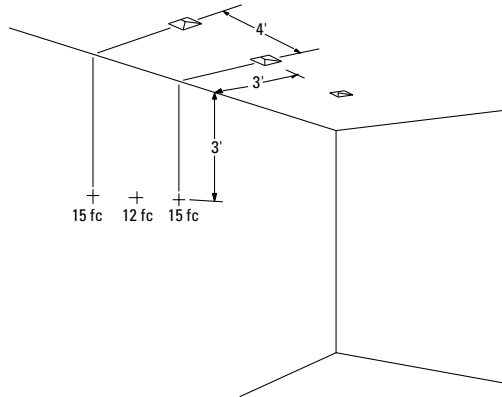
5 Year Warranty

Job Information	Type:
------------------------	--------------

PHILIPS
LIGHTOLIER

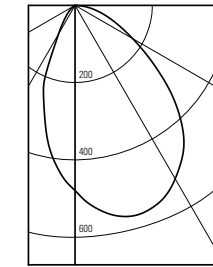
C4X4L10WW

Calculite LED 4 1/2" X 4 1/2" Lensed Wall Washer



Lighting Data - Example
C4X420LEDWW30KCLW illumination on the wall 4' down from the ceiling is 15 f.c. beneath and 14 f.c. between fixtures.

20W LED, 2700K, CL FINISH TRIM



Downlight Side Wall Wash Side

Trim:
C4X420LEDWW27KCLW

Reflector Finish:
Specular Clear

Correlated Color Temp¹:
2700K

Input Watts²:
19.8 w

CRI⁴:

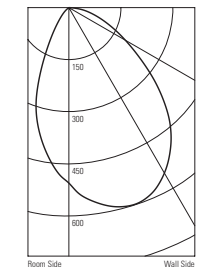
Distance from ceiling in feet	Multiple Units - Footcandles On Wall		
	2' from Wall - 3' On Center	3'	3' On Center
1	29	15	29
2	38	25	38
3	27	24	27
4	19	18	19
5	14	14	14
6	10	10	10
7	8	8	8
8	6	6	6
9	5	5	5
10	5	5	5
12	4	4	4
14	3	3	3

Distance from ceiling in feet	Multiple Units - Footcandles On Wall		
	3' from Wall - 3' On Center	3'	3' On Center
1	11	10	11
2	20	17	20
3	23	22	23
4	20	20	20
5	16	16	16
6	13	13	13
7	11	11	11
8	9	9	9
9	8	7	8
10	6	6	6
12	5	5	5
14	4	4	4

Distance from ceiling in feet	Multiple Units - Footcandles On Wall		
	3' from Wall - 4' On Center	4'	4' On Center
1	10	6	10
2	16	11	16
3	18	14	18
4	15	14	15
5	12	12	12
6	10	10	10
7	8	8	8
8	6	6	6
9	5	5	5
10	5	5	5
12	4	4	4
14	3	3	3

CERTIFIED TEST REPORT NO. F09946³

20W LED, 3000K, CL FINISH TRIM



Room Side Wall Side

Trim:
C4X420LEDWW30KCLW

Reflector Finish:
Specular Clear

Correlated Color Temp¹:
3000K

Input Watts²:
19.8 w

CRI⁴:

Distance from ceiling in feet	Multiple Units - Footcandles On Wall		
	2' from Wall - 3' On Center	3'	3' On Center
1	32	16	32
2	41	28	41
3	29	26	29
4	21	20	21
5	15	15	15
6	11	11	11
7	9	9	9
8	7	7	7
9	6	6	6
10	5	5	5
12	4	4	4
14	4	4	4

Distance from ceiling in feet	Multiple Units - Footcandles On Wall		
	3' from Wall - 3' On Center	3'	3' On Center
1	12	11	12
2	21	19	21
3	24	24	24
4	21	21	21
5	18	18	18
6	14	14	14
7	12	12	12
8	10	10	10
9	8	8	8
10	7	7	7
12	5	5	5
14	5	5	5

Distance from ceiling in feet	Multiple Units - Footcandles On Wall		
	3' from Wall - 4' On Center	4'	4' On Center
1	11	6	11
2	18	12	18
3	19	16	19
4	16	15	16
5	13	13	13
6	11	10	11
7	8	8	8
8	7	7	7
9	6	6	6
10	5	5	5
12	4	4	4
14	3	3	3

CERTIFIED TEST REPORT NO. 15739³

¹Color temperature controlled within specifications as defined by ANSI_NEMA_ANSLG C78.377-2008: Specifications for the Chromaticity of Solid State Lighting Products.

²Wattage controlled to within 65%.

³Tested using absolute photometry as specified in LM79: IESNA Approved Method for the Electrical and Photometric Measurements of Solid-State Lighting Products.

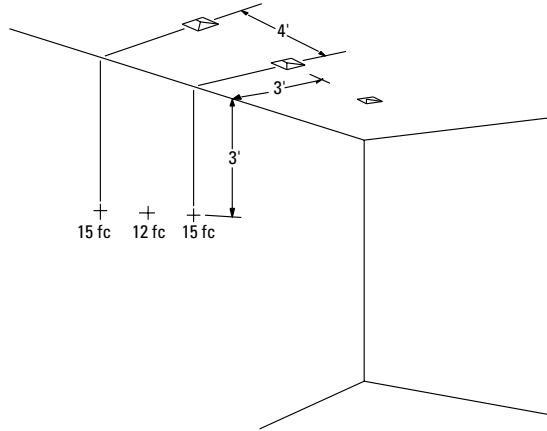
⁴Color Rendering Index within +/- 2%.

Job Information Type:

PHILIPS
LIGHTOLIER

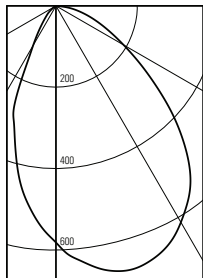
C4X4L10WW

Calculite LED 4 1/2" X 4 1/2 Lensed Wall Washer



Lighting Data - Example
C4X420LEDWW30KCLW illumination on the wall
4' down from the ceiling is 16 f.c.
beneath and 15 f.c. between fixtures.

20W LED, 3500K, CL FINISH TRIM



Downlight Side Wall Wash Side

Trim:
C4X420LEDWW35KCLW
Reflector Finish:
Specular Clear
Correlated Color Temp¹:
3500K
Input Watts²:
19.8 w
CRI⁴:

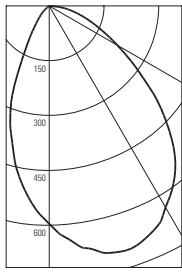
Distance from ceiling in feet	Multiple Units - Footcandles On Wall	
	2' from Wall - 3' On Center	3' On Center
1	32	16
2	44	29
3	32	28
4	22	22
5	16	16
6	12	12
7	9	9
8	8	8
9	6	6
10	5	5
12	4	4
14	4	4

Distance from ceiling in feet	Multiple Units - Footcandles On Wall	
	3' from Wall - 3' On Center	3' On Center
1	12	10
2	22	19
3	26	25
4	23	23
5	19	19
6	15	15
7	13	13
8	11	11
9	9	9
10	8	8
12	6	6
14	5	5

Distance from ceiling in feet	Multiple Units - Footcandles On Wall	
	3' from Wall - 4' On Center	4' On Center
1	10	6
2	18	12
3	21	16
4	18	16
5	14	14
6	11	11
7	9	9
8	8	8
9	6	6
10	5	5
12	4	4
14	4	4

CERTIFIED TEST REPORT NO. F09962³

20W LED, 4000K, CL FINISH TRIM



Downlight Side Wall Wash Side

Trim:
C4X420LEDWW40KCLW
Reflector Finish:
Specular Clear
Correlated Color Temp¹:
4000K
Input Watts²:
19.8 w
CRI⁴:

Distance from ceiling in feet	Multiple Units - Footcandles On Wall	
	2' from Wall - 3' On Center	3' On Center
1	36	18
2	47	31
3	34	30
4	23	23
5	17	17
6	13	13
7	10	10
8	8	8
9	7	7
10	6	6
12	5	5
14	4	4

Distance from ceiling in feet	Multiple Units - Footcandles On Wall	
	3' from Wall - 3' On Center	3' On Center
1	14	12
2	24	21
3	27	27
4	24	24
5	20	20
6	16	16
7	13	13
8	11	11
9	9	9
10	8	8
12	6	6
14	5	5

Distance from ceiling in feet	Multiple Units - Footcandles On Wall	
	3' from Wall - 4' On Center	4' On Center
1	12	7
2	20	13
3	22	18
4	19	17
5	15	15
6	12	12
7	10	10
8	8	8
9	7	7
10	6	6
12	4	4
14	4	4

CERTIFIED TEST REPORT NO. F09328³

¹Color temperature controlled within specifications as defined by ANSI_NEMA_ANSLG C78.377-2008: Specifications for the Chromaticity of Solid State Lighting Products.
²Wattage controlled to within 65%.
³Tested using absolute photometry as specified in LM79: IESNA Approved Method for the Electrical and Photometric Measurements of Solid-State Lighting Products.
⁴Color Rendering Index within +/- 2%.



Philips Lightolier
e: lol.webmaster@philips.com
t: (508) 679-8131
w: www.lightolier.com

C4X4L10WW March 21, 2012

Specifications are subject to change without notice.
© Koninklijke Philips Electronics N.V., 2012. All rights reserved.

Job Information Type: