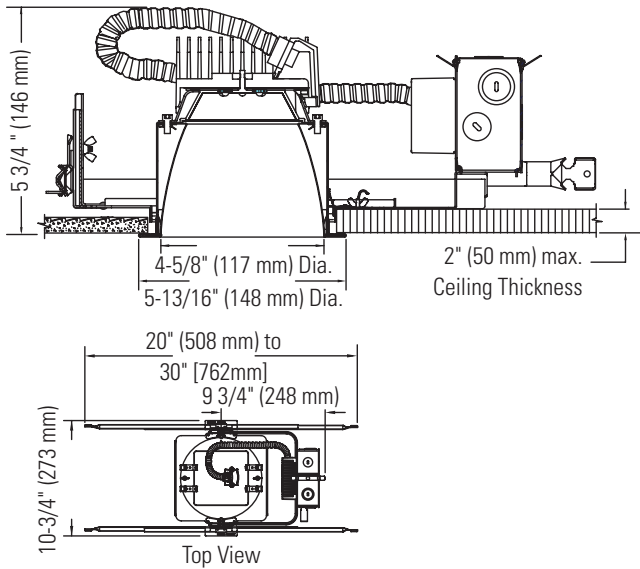


C4X4L05/CUL05

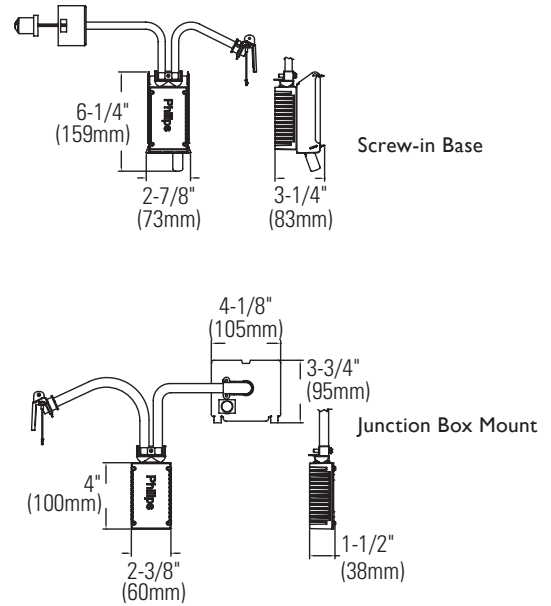
Calculite LED 4 1/2" X 4 1/2" Frame-In Kit

Page 1 of 2

New Construction Frames



Retrofit Frames



Ordering Guide: Frame-in Kits

Frame-in Kit Series	Installation Options	Input Voltage	Options
C4X4L05	N (New construction)	1 (120V) 2 (277V)	Blank (Electronic low voltage dimming) EM (Emergency) Z10V (0-10V dimming)
CUL05	J (J-box mount retrofit) S (Screw-in base retrofit (120V only))	1 (120V) 2 (277V)	Blank (Electronic low voltage dimming) Z10V (0-10V dimming)

Example: C4X4L05NIEM

<p>Job Information Type:</p> <p>Job Name:</p> <p>Cat. No.:</p> <p>Notes:</p>
--

PHILIPS
LIGHTOLIER

C4X4L05/CUL05

Calculite LED 4 1/2" X 4 1/2" Frame-In Kit

Page 2 of 2

Features

Ceiling Cutout (Trim Aperture): 5 1/4" (4 5/8")

Depth (including Light Engine): 5 3/4" (146mm)

Power Connection: Attaches to light engine via push-in connector

(on frame). Removable cover provides access.

Junction Box: UL listed for 8 No. 12 AWG, 90°C through branch circuit connectors. Allows inspection from below.

Thermal Protector: Meets NEC & UL requirements.

Do not install insulation above nor within 3" of any part of luminaire.

New Construction Frame

Mounting Frame: Galvanized steel. Vertical adjustment mechanism mounts to most ceiling systems using mounting bars or 1/2" EMT tubing (by others). Alignment holes and markings allow fixture to be preset prior to installation.

Vertical Adjustment: Light engine adjusts in frame below ceilings up to 2".

Horizontal Adjustment: Rotating plate allows for 360° of adjustment prior to connection of power supply. Adjusts and locks via two wing nuts accessible through aperture.

Mounting Bars: Pre-installed telescoping mounting bars extend to 30" long and lock into position. Attach to steel or wood joists without accessories.

Retrofit Frame

Capability (Screw-in): Converts 4-1/2" (114mm) or 6" (153mm) Lightolier incandescent frame-in kit without additional wiring using existing Calculite E26 base.

Capability (J-Box Mount): Converts 4-1/2" (114mm) or 6" (153mm) Lightolier incandescent, compact fluorescent or HID frame-in kit using junction box.

Socket Cup Support: Spun steel. Holds Calculite incandescent socket cup.

Socket Extender: Phenolic E26 base. Connect to existing lampholder.

Electrical

Electronic Power Supply: 120 or 277V, 50/60Hz, encased, overload and short circuit protected, thermal regulation to protect against overheating, sound rating "A", -20°C minimum starting temperature, 40°C maximum operating temperature. Dimming compatibility: See LED-DIM specification sheet.

Input Voltage	Input Frequency	Input Current	LED Drive Current	Input Power	LED Power	THD	Power Factor
120V	50/60Hz	0.074	350mA	9W*	8W	<5%	>0.9
277V	50/60Hz	0.032	350mA	9W*	8W	<10%	>0.8

* +/- 5%

Rated Life: 50,000 hours

Options and Accessories

Dimming Capability: 12V electronic. See LED-DIM specification sheet

Emergency Capability: See LED-LMI specification sheet.

Labels

UL, cUL, I.B.E.W.

5 Year Warranty



Philips Lightolier
e: lol.webmaster@philips.com
t: (508) 679-8131
w: www.lightolier.com

C4X4L05-CUL05 March 15, 2012

Specifications are subject to change without notice.
© Koninklijke Philips Electronics N.V., 2010. All rights reserved.

Job Information Type: