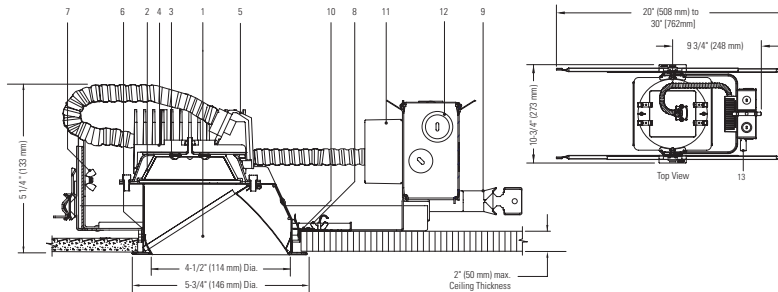


C4X420LEDWW

LED Downlight Calculite 20W, 4 1/2" Square Aperture, Remote Phosphor LED

Page 1 of 4



Ceiling Cutout: 5 1/4" x 5 1/4"

Light Engine	Wattage*	CCT	Finish	Frame-In Kit	Description	Wattage*	Voltage
C4X420LEDWW27K CCLW	20W	2700K	Comfort Clear, White flange	C4X420LED1	New Construction	20W	120V
C4X420LEDWW30K CCLW	20W	3000K	Comfort Clear, White flange	C4X420LED2	New Construction	20W	277V
C4X420LEDWW35K CCLW	20W	3500K	Comfort Clear, White flange				
C4X420LEDWW40K CCLW	20W	4000K	Comfort Clear, White flange				
	* +/- 5%		See "Options and Accessories" for other finishes			* +/- 5%	

Features

1. Reflector Trim: 50° physical and reflected cutoff to source and source image. Available with integral flange painted white or polished to match inside of cone.

2. Optical Mixing Chamber: Remote phosphor technology provides increased efficiency and color stability. Phosphor lens assembly positioned in front of LED array converts blue light to white and produces a wide even pattern of diffused light without bright spots created by individual LEDs. Uniform phosphor coating provides consistent, stable color with a shift of no more than +/-100K over life. Mixing chamber redirects scattered light back out through the emitting aperture.

3. LED Board: Array of 16 high brightness royal blue LEDs.

4. Thermal Management: Heat sink design maintains junction temperature for consistent, reliable performance and 50,000 hour lifetime at 70% lumen maintenance.

5. Socket: Cast steel. Protects power connector and ensures a secure connection.

6. Mounting Frame: Steel, 0.074" (14-ga.)

7. Frame Vertical Adjustment Mechanism: Accommodates mounting to virtually any ceiling system using pre-installed mounting bars, or 1/2" EMT tubing (by others). Single locking feature secures all adjustments. Alignment holes and markings allow fixture to be pre-set prior to installation. Final adjustment can be made from below from inside the fixture.

8. Frame Horizontal Adjustment Mechanism: 20 Ga. galvanized steel rotating plate allows for 360° adjustment during installation prior to connection of power supply to trim. Adjusts and locks via (2) wing nuts accessed through aperture.

Features (continued)

9. Mounting Bars: 0.048" (18-ga.) pre-installed, telescoping bars extend to 30" long and lock securely into position. Built-in locking tabs provide positive attachment to common T-bar systems. Self-centering feature simplifies installation in 24" O.C. grid systems. Attaches to steel or wood joists without accessories.

10. Retention Springs: Rust resistant springs secure trim for quick, tool-less installation.

11. Power Supply: Die-cast aluminum PSU enclosure. Assembly snaps onto junction box without tools for inspection and replacement, accessible from below. Attaches to light engine via push-in connector on LED board, removable cover provides access.

12. Junction Box: 0.059" (16-ga.) galvanized steel. UL listed for 8 No. 12 AWG, 90°C through branch circuit conductors. Allows inspection from below.

Job Information	Type:
Job Name:	
Cat. No.:	
Notes:	

PHILIPS
LIGHTOLIER

C4X420LEDWW

LED Downlight Calculite 20W, 4 1/2" Square Aperture, Remote Phosphor LED

Page 2 of 4

Features (continued)

I3.Thermal Protector: Meets NEC and UL requirements.

Do not install insulation above nor within 3" (76mm) of any part of the luminaire.

Electrical

Electronic Power Supply: 120 or 277V, 50/60Hz, encased, overload and short circuit protected, thermal regulation to protect against overheating, sound rating "A", -20° C minimum starting temperature, 40° C maximum operating temperature. Dimming compatibility: See LED-DIM specification sheet.

Input Voltage	Input Frequency	Input Current	LED Drive Current	Input Power	LED Power	THD	Power Factor
120V	50/60Hz	0.167	350mA	20W*	18W	<5%	>0.9
277V	50/60Hz	0.072	350mA	20W*	18W	<10%	>0.8

* +/- 5%

Options and Accessories

Comfort Clear™ Finishes ¹		Other Finishes	
Comfort Clear	CCL	Specular Clear	CL
Diffuse	CCD	White	WH
Champagne Bronze	CCZ		

¹Specify desired flange. **W** White, **P** Polished

Labels

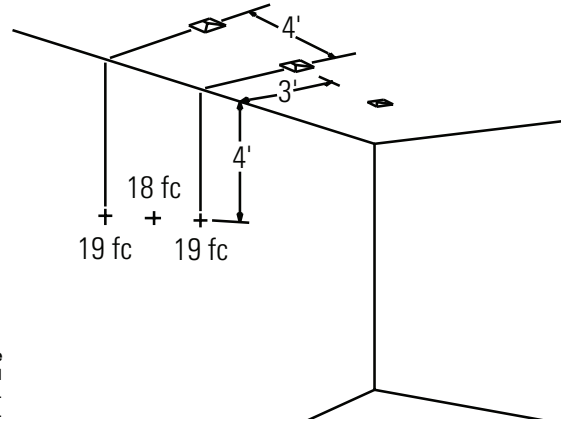
UL (Suitable for Wet Locations), cUL, I.B.E.W.
5 Year Warranty

Job Information Type:

PHILIPS
LIGHTOLIER

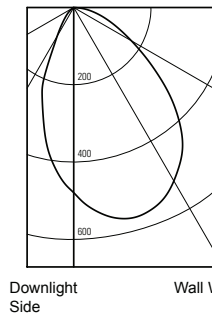
C4X420LEDWW

LED Downlight Calculate 20W, 4 1/2" Square Aperture, Remote Phosphor LED



Lighting Data - Example
C4X420LEDWW30KCLW illumination on the wall
4' down from the ceiling is 15 f.c.
beneath and 14 f.c. between fixtures.

20W LED, 2700K, CL FINISH TRIM



Trim:
C4X420LEDWW27KCLW

Reflector Finish:
Specular Clear

Correlated Color Temp¹:
2700K

Input Watts²:
19.8 w

CRI⁴:
80

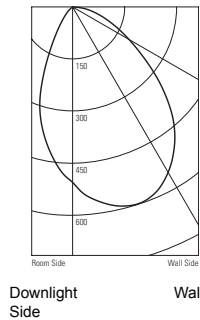
Distance from ceiling in feet	Multiple Units - Footcandles On Wall		
	2' from Wall	3' On Center	3' On Center
1	29	15	29
2	38	25	38
3	27	24	27
4	19	18	19
5	14	14	14
6	10	10	10
7	8	8	8
8	6	6	6
9	5	5	5
10	5	5	5
12	4	4	4
14	3	3	3

Distance from ceiling in feet	Multiple Units - Footcandles On Wall		
	3' from Wall	3' On Center	3' On Center
1	11	10	11
2	20	17	20
3	23	22	23
4	20	20	20
5	16	16	16
6	13	13	13
7	11	11	11
8	9	9	9
9	8	7	8
10	6	6	6
12	5	5	5
14	4	4	4

Distance from ceiling in feet	Multiple Units - Footcandles On Wall		
	3' from Wall	4' On Center	4' On Center
1	10	6	10
2	16	11	16
3	18	14	18
4	15	14	15
5	12	12	12
6	10	10	10
7	8	8	8
8	6	6	6
9	5	5	5
10	5	5	5
12	4	4	4
14	3	3	3

CERTIFIED TEST REPORT NO. F09946³

20W LED, 3000K, CL FINISH TRIM



Trim:
C4X420LEDWW30KCLW

Reflector Finish:
Specular Clear

Correlated Color Temp¹:
3000K

Input Watts²:
19.8 w

CRI⁴:
79

Distance from ceiling in feet	Multiple Units - Footcandles On Wall		
	2' from Wall	3' On Center	3' On Center
1	32	16	32
2	41	28	41
3	29	26	29
4	21	20	21
5	15	15	15
6	11	11	11
7	9	9	9
8	7	7	7
9	6	6	6
10	5	5	5
12	4	4	4
14	4	4	4

Distance from ceiling in feet	Multiple Units - Footcandles On Wall		
	3' from Wall	3' On Center	3' On Center
1	12	11	12
2	21	19	21
3	24	24	24
4	21	21	21
5	18	18	18
6	14	14	14
7	12	12	12
8	10	10	10
9	8	8	8
10	7	7	7
12	5	5	5
14	5	5	5

Distance from ceiling in feet	Multiple Units - Footcandles On Wall		
	3' from Wall	4' On Center	4' On Center
1	11	6	11
2	18	12	18
3	19	16	19
4	16	15	16
5	13	13	13
6	11	10	11
7	8	8	8
8	7	7	7
9	6	6	6
10	5	5	5
12	4	4	4
14	3	3	3

CERTIFIED TEST REPORT NO. 15739³

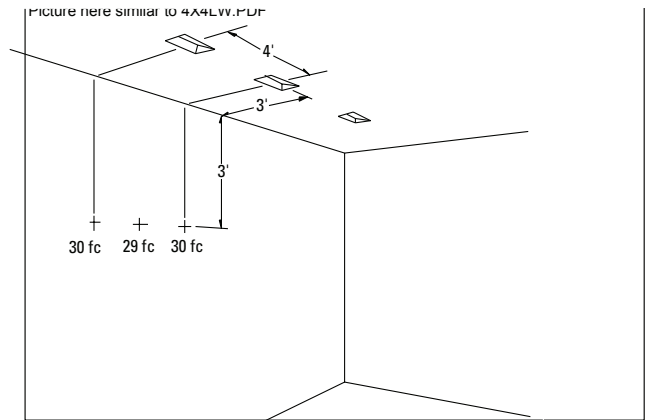
¹Color temperature controlled within specifications as defined by ANSI_NEMA_ANSLG C78.377-2008: Specifications for the Chromaticity of Solid State Lighting Products.
²Wattage controlled to within 65%.
³Tested using absolute photometry as specified in LM79: IESNA Approved Method for the Electrical and Photometric Measurements of Solid-State Lighting Products.
⁴Color Rendering Index within +/- 2%.

Job Information Type:

PHILIPS
LIGHTOLIER

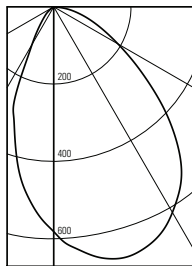
C4X420LEDWW

LED Downlight Calculate 20W, 4 1/2" Square Aperture, Remote Phosphor LED



Lighting Data - Example
C4X420LEDWW30KCLW illumination on the wall 4' down from the ceiling is 16 f.c. beneath and 15 f.c. between fixtures.

20W LED, 3500K, CL FINISH TRIM



Downlight Side Wall Wash Side

Trim:
C4X420LEDWW35KCLW

Reflector Finish:
Specular Clear

Correlated Color Temp¹:
3500K

Input Watts²:
19.8 w

CRI⁴:
76

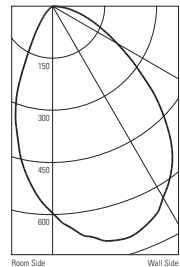
Distance from ceiling in feet	Multiple Units - Footcandles On Wall	
	2' from Wall - 3' On Center	3' On Center
1	32	16
2	44	29
3	32	28
4	22	22
5	16	16
6	12	12
7	9	9
8	8	8
9	6	6
10	5	5
12	4	4
14	4	4

Distance from ceiling in feet	Multiple Units - Footcandles On Wall	
	3' from Wall - 3' On Center	3' On Center
1	12	10
2	22	19
3	26	25
4	23	23
5	19	19
6	15	15
7	13	13
8	11	11
9	9	9
10	8	8
12	6	6
14	5	5

Distance from ceiling in feet	Multiple Units - Footcandles On Wall	
	3' from Wall - 4' On Center	4' On Center
1	10	6
2	18	12
3	21	16
4	18	16
5	14	14
6	11	11
7	9	9
8	8	8
9	6	6
10	5	5
12	4	4
14	4	4

CERTIFIED TEST REPORT NO. F09962³

20W LED, 4000K, CL FINISH TRIM



Downlight Side Wall Wash Side

Trim:
C4X420LEDWW40KCLW

Reflector Finish:
Specular Clear

Correlated Color Temp¹:
4000K

Input Watts²:
19.8 w

CRI⁴:
76

Distance from ceiling in feet	Multiple Units - Footcandles On Wall	
	2' from Wall - 3' On Center	3' On Center
1	36	18
2	47	31
3	34	30
4	23	23
5	17	17
6	13	13
7	10	10
8	8	8
9	7	7
10	6	6
12	5	5
14	4	4

Distance from ceiling in feet	Multiple Units - Footcandles On Wall	
	3' from Wall - 3' On Center	3' On Center
1	14	12
2	24	21
3	27	27
4	24	24
5	20	20
6	16	16
7	13	13
8	11	11
9	9	9
10	8	8
12	6	6
14	5	5

Distance from ceiling in feet	Multiple Units - Footcandles On Wall	
	3' from Wall - 4' On Center	4' On Center
1	12	7
2	20	13
3	22	18
4	19	17
5	15	15
6	12	12
7	10	10
8	8	8
9	7	7
10	6	6
12	4	4
14	4	4

CERTIFIED TEST REPORT NO. F09328³

¹Color temperature controlled within specifications as defined by ANSI_NEMA_ANSLG C78.377-2008: Specifications for the Chromaticity of Solid State Lighting Products.
²Wattage controlled to within 65%.
³Tested using absolute photometry as specified in LM79: IESNA Approved Method for the Electrical and Photometric Measurements of Solid-State Lighting Products.
⁴Color Rendering Index within +/- 2%.



Philips Lightolier
 e: lol.webmaster@philips.com
 t: (508) 679-8131
 w: www.lightolier.com

C4X420LEDWW July 25, 2011

Specifications are subject to change without notice.
 © Koninklijke Philips Electronics N.V., 2010. All rights reserved.

Job Information Type: