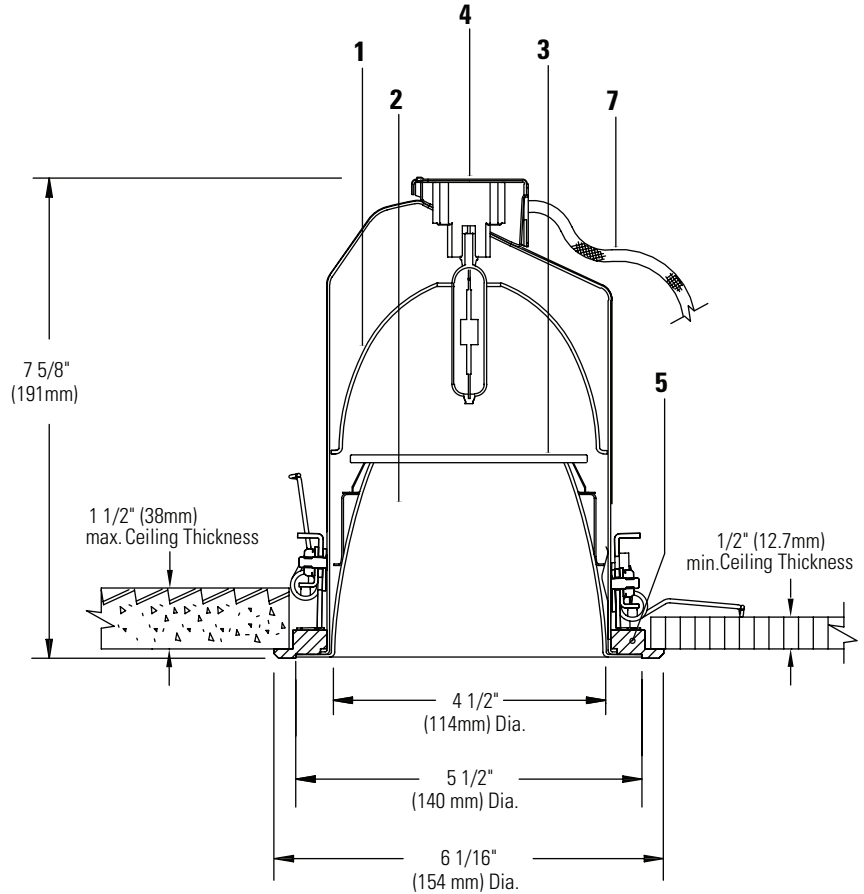


TRIM NOT SHOWN FOR CLARITY



Ceiling Cutout: 5 3/4" (146 mm) Dia.

Ordering Information

Reflector Trim	Installation Ring	Gear Harness	Lamp Data
C4T4VMCCDPEXP Comfort Clear Diffuse, Polished Flange	C4XRM Matte White	BKT4U20 BKT4U39 BKT4U70	CDM-TC G8.5 70W Max

Features

- Upper Reflector:** Clear anodized aluminum, 0.040" (16-ga.). Provides medium beam optics ideal for general lighting. Also available in narrow and wide beam, see C4T4VNEXP and C4T4VWEXP specification sheets.
- Aperture Cone:** Provides 50° visual cut-off to lamp and lamp image. Self-flanged in aperture-matching polished flange.
- Lamp Shield:** High-temperature glass as required by code, captive during re-lamping. Light diffusion provides exceptionally smooth beam.
- Socket Housing:** Galvanized steel, pre-wired with G8.5 pulse rated socket. Snaps onto upper reflector for secure attachment without tools; unitized construction assures proper lamp alignment to optics for consistent performance. Included with Gear Harness.
- Installation Ring:** Cast aluminum ring is painted and has two 17ga. stainless steel springs that engage in upright position during installation. One touch snap action secures ring in ceiling cutout. ORDER SEPARATELY. See separate specification sheet for details.
- Trim Retention Springs:** Rust resistant springs secure reflector/housing for quick, toolless installation (quantity of 4).
- Gear harness:** Electronic 240V, 50/60Hz metal halide ballast with lamp socket and wiring harness. ORDER SEPARATELY. See separate specification sheet for details.

Certifications and Ratings



Job Information

Type:

Job Name:

Cat. No.:

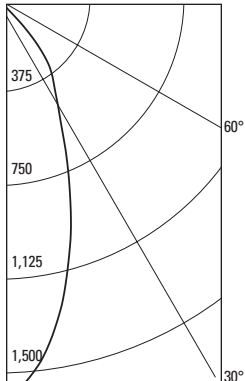
Lamp(s):

Notes:

631 Airport Road, Fall River, MA 02720 • (508) 679-8131 • Fax (508) 674-4710
 We reserve the right to change details of design, materials and finish.
 www.lightolier.com © 2008 Philips Group • A0508

20W T4 GE CMH LAMP, LUMEN RATING = 1700 LMS, AROMAT 20W ELECTRONIC BALLAST CL FINISH TRIM

CANDLEPOWER DISTRIBUTION



ANGLE	MEAN CP	LUMENS
0	1595	
5	1524	143
10	1345	
15	1109	314
20	867	
25	649	308
30	493	
35	396	248
40	294	
45	125	107
50	10	
55	0	2
60	0	
65	0	0
70	0	
75	0	0
80	0	
85	0	0
90	0	

LUMINANCE SUMMARY CD. / SQ. M.

ANGLE	MEAN CD/SQ M
45	17255
55	39
65	0
75	0
85	0

ZONAL LUMENS AND PERCENTAGES

ZONE	LUMENS	% LAMP	% LUMINAIRE
0-30	764	44.96	68.13
0-40	1012	59.56	90.25
0-60	1121	66	100
0-90	1121	66	100
40-90	109	6.43	9.75
60-90	0	0	0
90-180	0	0	0
0-180	1121	66	100

Coefficients of Utilization

CEILING	80%				70%		50%		30%		0
	70	50	30	10	50	10	50	10	50	10	
WALL	Zonal Cavity Method - Effective Floor Cavity Reflectance = 20%										
RCR	Zonal Cavity Method - Effective Floor Cavity Reflectance = 20%										
0	.79	.79	.79	.79	.77	.77	.74	.74	.71	.71	.66
1	.76	.74	.73	.72	.73	.71	.70	.68	.68	.66	.63
2	.73	.70	.68	.66	.69	.65	.67	.64	.65	.63	.60
3	.70	.66	.64	.61	.65	.61	.64	.60	.62	.59	.57
4	.67	.63	.60	.58	.62	.57	.61	.57	.60	.56	.54
5	.64	.60	.56	.54	.59	.54	.58	.53	.57	.53	.51
6	.62	.57	.53	.51	.56	.51	.55	.50	.54	.50	.49
7	.59	.53	.50	.48	.53	.47	.52	.47	.51	.47	.46
8	.56	.51	.47	.45	.50	.45	.49	.44	.49	.44	.43
9	.53	.48	.44	.42	.47	.42	.47	.42	.46	.42	.41
10	.51	.45	.42	.39	.45	.39	.44	.39	.44	.39	.38

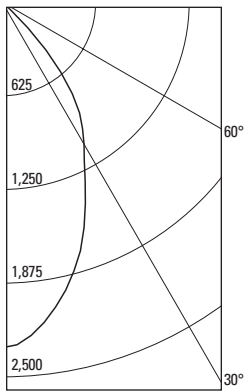
LUMINAIRE INPUT WATTS = 23

** EFFICIENCY = 66.0% **
SC = .7

CERTIFIED TEST REPORT NO. 2322FR, DATE: OCT 04, 2003
COMPUTED BY LSI PROGRAM **TEST-LITE**

39W T4 PHILIPS CMH LAMP, LUMEN RATING = 3300 LMS, AROMAT 39W ELECTRONIC BALLAST, CL FINISH TRIM

CANDLEPOWER DISTRIBUTION



ANGLE	MEAN CP	LUMENS
0	2306	
5	2232	211
10	2064	
15	1856	523
20	1601	
25	1313	616
30	1095	
35	902	551
40	609	
45	243	216
50	20	
55	3	6
60	0	
65	0	0
70	0	
75	0	0
80	0	
85	0	0
90	0	

LUMINANCE SUMMARY CD. / SQ. M.

ANGLE	MEAN CD/SQ M
45	33651
55	466
65	0
75	0
85	0

ZONAL LUMENS AND PERCENTAGES

ZONE	LUMENS	% LAMP	% LUMINAIRE
0-30	1349	40.9	63.6
0-40	1900	57.59	89.56
0-60	2121	64.3	100
0-90	2121	64.3	100
40-90	221	6.72	10.44
60-90	0	0	0
90-180	0	0	0
0-180	2121	64.3	100

Coefficients of Utilization

CEILING	80%				70%		50%		30%		0
	70	50	30	10	50	10	50	10	50	10	
WALL	Zonal Cavity Method - Effective Floor Cavity Reflectance = 20%										
RCR	Zonal Cavity Method - Effective Floor Cavity Reflectance = 20%										
0	.77	.77	.77	.77	.75	.75	.72	.72	.69	.69	.65
1	.74	.72	.71	.70	.71	.68	.68	.66	.66	.64	.61
2	.71	.68	.66	.64	.67	.63	.65	.62	.63	.60	.58
3	.68	.64	.61	.59	.63	.59	.62	.58	.60	.57	.55
4	.65	.60	.57	.55	.60	.54	.58	.54	.57	.53	.52
5	.62	.57	.53	.51	.56	.51	.55	.50	.54	.50	.49
6	.59	.54	.50	.48	.53	.48	.52	.47	.51	.47	.46
7	.56	.51	.47	.45	.50	.44	.49	.44	.48	.44	.43
8	.53	.47	.44	.42	.47	.41	.46	.41	.46	.41	.40
9	.50	.45	.41	.39	.44	.39	.44	.38	.43	.38	.37
10	.48	.42	.38	.36	.42	.36	.41	.36	.41	.36	.35

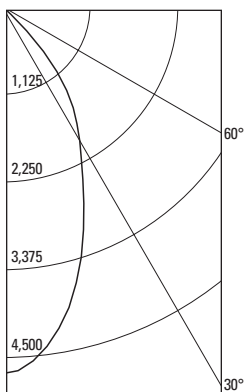
LUMINAIRE INPUT WATTS = 44

** EFFICIENCY = 64.3% **
SC = .8

CERTIFIED TEST REPORT NO. 2321FR, DATE: OCT 01, 2003
COMPUTED BY LSI PROGRAM **TEST-LITE**

70W T4 PHILIPS CMH LAMP, LUMEN RATING = 6400 LMS, AROMAT 70W ELECTRONIC BALLAST, CL FINISH TRIM

CANDLEPOWER DISTRIBUTION



ANGLE	MEAN CP	LUMEN
0	4707	
5	4560	430
10	4188	
15	3667	1032
20	3046	
25	2445	1148
30	1987	
35	1587	982
40	1090	
45	444	390
50	38	
55	3	10
60	0	
65	0	0
70	0	
75	0	0
80	0	
85	0	0
90	0	

LUMINANCE SUMMARY CD. / SQ. M.

ANGLE	MEAN CD/SQ M
45	61418
55	584
65	0
75	0
85	0

ZONAL LUMENS AND PERCENTAGES

ZONE	LUMENS	% LAMP	% LUMINAIRE
0-30	2610	40.79	65.39
0-40	3592	56.13	89.97
0-60	3992	62.38	100
0-90	3992	62.38	100
40-90	400	6.26	10.03
60-90	0	0	0
90-180	0	0	0
0-180	3992	62.38	100

Coefficients of Utilization

CEILING	80%				70%		50%		30%		0
	70	50	30	10	50	10	50	10	50	10	
WALL	Zonal Cavity Method - Effective Floor Cavity Reflectance = 20%										
RCR	Zonal Cavity Method - Effective Floor Cavity Reflectance = 20%										
0	.74	.74	.74	.74	.73	.73	.70	.70	.67	.67	.63
1	.71	.70	.69	.67	.69	.66	.66	.64	.64	.62	.59
2	.68	.66	.64	.62	.65	.61	.63	.60	.61	.59	.56
3	.66	.62	.59	.57	.61	.57	.60	.56	.58	.55	.53
4	.63	.59	.56	.54	.58	.53	.57	.53	.56	.52	.51
5	.60	.56	.52	.50	.55	.50	.54	.49	.53	.49	.48
6	.57	.53	.49	.47	.52	.47	.51	.46	.50	.46	.45
7	.55	.49	.46	.44	.49	.44	.48	.43	.47	.43	.42
8	.52	.47	.43	.41	.46	.41	.46	.41	.45	.40	.39
9	.49	.44	.41	.38	.44	.38	.43	.38	.42	.38	.37
10	.47	.41	.38	.36	.41	.36	.41	.36	.40	.35	.34

LUMINAIRE INPUT WATTS = 78

** EFFICIENCY = 62.4% **
SC = .8

CERTIFIED TEST REPORT NO. 2320FR, DATE: OCT 01, 2003
COMPUTED BY LSI PROGRAM **TEST-LITE**

Job Information **Type:**

631 Airport Road, Fall River, MA 02720 • (508) 679-8131 • Fax (508) 674-4710
We reserve the right to change details of design, materials and finish.
www.lightolier.com © 2008 Philips Group • A0508