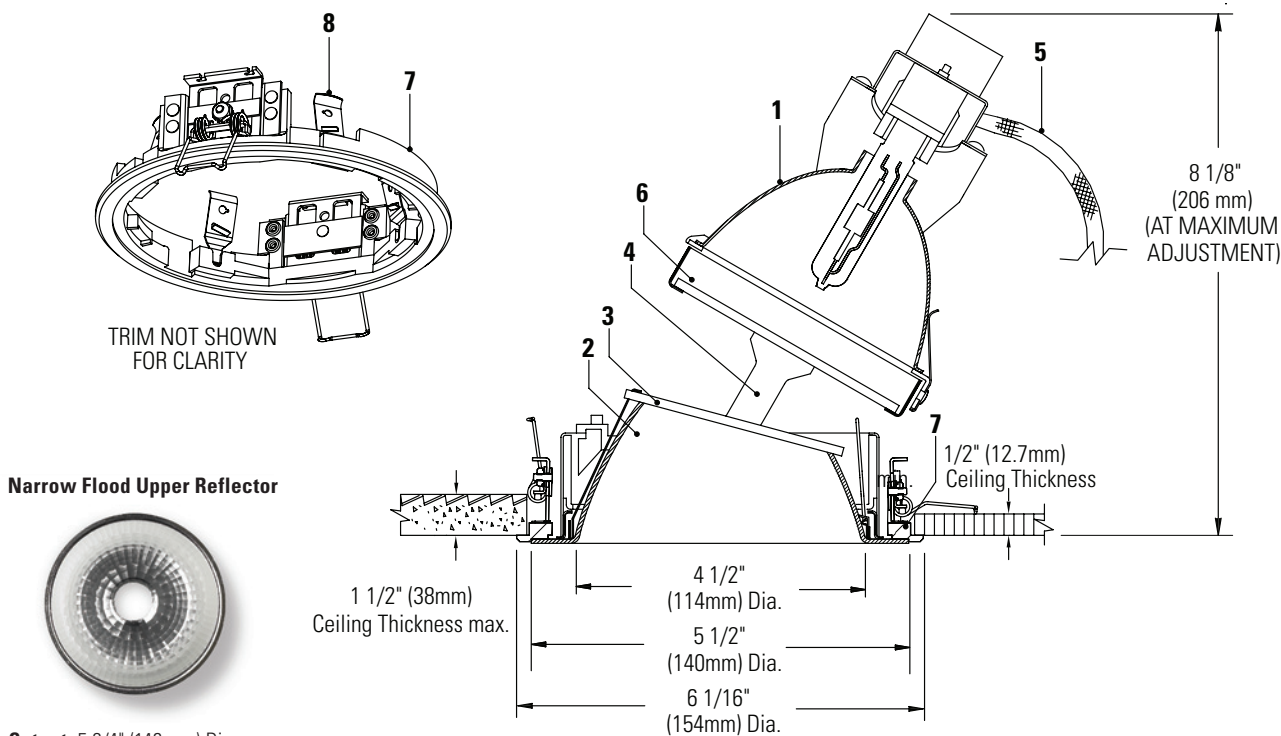


# LIGHTOLIER® HID Adjustable C4T4AEXP-MHT4RNF

Page 1 of 2

4 1/2" Aperture, T4 G8.5 Metal Halide, 25° Narrow Flood, For Export



Ceiling Cutout: 5 3/4" (146 mm) Dia.

**For Complete Fixture Order:** Reflector Trim + Upper Reflector + Installation Ring + Gear Harness

### Ordering Information

Reflector Trim	Upper Reflector	Installation Ring	Gear Harness	Lamp Data
<b>C4T4ACCDPEXP</b> Comfort Clear Diffuse, Polished Flange	MHT4RNF	<b>C4XR</b> M	<b>BKT4U20</b> <b>BKT4U39</b> <b>BKT4U70</b>	CDM-TC G8.5 70W Max

### Features

- Upper Reflector:** Specular faceted aluminum; provides 25° beam. Interchangeable with 12° Spot (MHT4RS) and 40° Flood (MHT4RF); see spec sheets C4T4AEXP-MHT4RS and C4T4AEXP-MHT4RF. ORDER SEPARATELY.
- Reflector Trim:** Low brightness aperture cone; anodized aluminum, self-flanged in aperture-matching polished flange.
- Lamp Shield:** High-temperature glass as required by code; captive during re-lamping.
- Trim Adjustment Mechanism:** Provides 35° vertical tilt, 360° horizontal rotation; lockable. EZ-Aim Helical Drive System provides fast and accurate hot aiming with Philips screwdriver.
- Gear Harness:** Electronic 240V, 50/60Hz metal halide ballast with lamp socket and wiring harness. ORDER SEPARATELY. See separate specification sheet for details.
- Optional Accessory Holder:** Sold separately catalog # CAH4; die-formed steel, matte black finish, slide-in installation. Accepts up to two 3 3/4" dia. media.
- Installation Ring:** Cast aluminum ring is painted and has two 17ga. stainless steel springs that engage in upright position during installation. One touch snap action secures ring in ceiling cutout. ORDER SEPARATELY. See separate specification sheet for details.
- Trim Retention Springs:** Rust resistant springs secure reflector/housing for quick, toolless installation (quantity of 4).

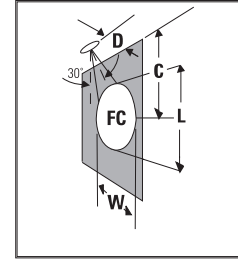
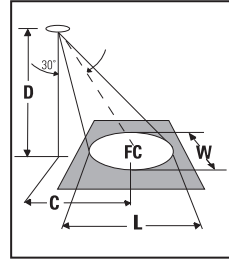
### Certifications and Ratings



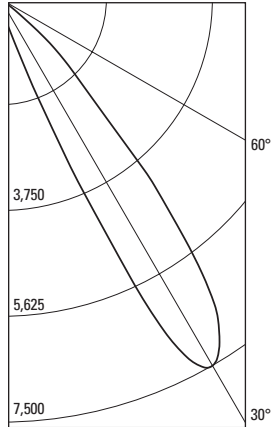
Job Information	Type:
<b>Job Name:</b>	
<b>Cat. No.:</b>	
<b>Lamp(s):</b>	
<b>Notes:</b>	

631 Airport Road, Fall River, MA 02720 • (508) 679-8131 • Fax (508) 674-4710  
 We reserve the right to change details of design, materials and finish.  
 www.lightolier.com © 2011 Philips Group • C0711

(FC) is initial footcandles at center of beam. Beam length (L) and beam width (W) are to where the candlepower is reduced to 50% of the center beam candlepower. (C) is the distance to the center of the beam.



### CANDLEPOWER DISTRIBUTION



### 20W T4.5 – NARROW FLOOD REFLECTOR

ANGLE	WALL	AIMED 30° TOWARD WALL
0	121	
5	145	T4 20W G.E. METAL HALIDE LAMP
10	214	LUMEN RATING = 1700 LMS.
15	431	CBCP= 7,505 cd
20	1461	BEAM ANGLE = 18°
25	5466	AROMAT 20W ELECTRONIC BALLAST
30	7505	
35	6601	DATE: OCT 31, 2003
40	3969	CERTIFIED TEST REPORT NO. 2352FR
45	1807	COMPUTED BY LSI PROGRAM
50	691	**TEST-LITE**
55	99	
60	18	
65	3	
70	0	
75	0	
80	0	
85	0	
90	0	

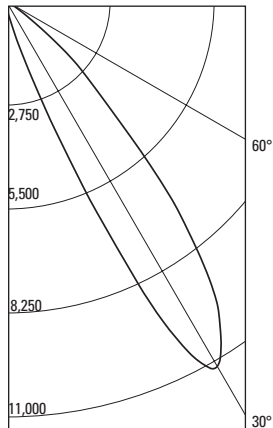
#### 30° Aiming Angle Horizontal Surface

D	C	FC	L	W
6	3.5'	135	2.6'	2.2'
8	4.6'	76	3.4'	2.9'
10	5.8'	49	4.3'	3.7'
12	6.9'	34	5.1'	4.4'
15	8.7'	22	6.4'	5.5'

#### 30° Aiming Angle Vertical Surface

D	C	FC	L	W
2	3.5'	235	2.7'	1.3'
3	5.2'	104	4.1'	1.9'
4	6.9'	59	5.5'	2.5'
6	10.4'	26	8.2'	3.8'
8	13.9'	15	11.0'	5.1'

### CANDLEPOWER DISTRIBUTION



### 39W T4.5 – NARROW FLOOD REFLECTOR

ANGLE	WALL	AIMED 30° TOWARD WALL
0	207	
5	250	T4 39W PHILIPS METAL HALIDE LAMP
10	369	LUMEN RATING = 3300 LMS.
15	988	CBCP=11,161 cd
20	3040	BEAM ANGLE = 19°
25	8210	AROMAT 39W ELECTRONIC BALLAST
30	11161	
35	9706	DATE: OCT 30, 2003
40	6745	CERTIFIED TEST REPORT NO. 2349FR
45	3537	COMPUTED BY LSI PROGRAM
50	1841	**TEST-LITE**
55	530	
60	72	
65	7	
70	0	
75	0	
80	0	
85	0	
90	0	

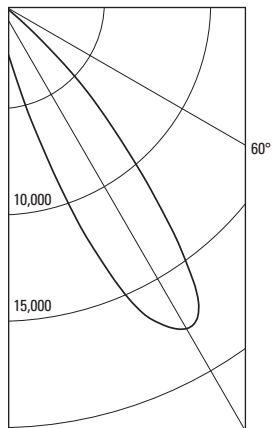
#### 30° Aiming Angle Horizontal Surface

D	C	FC	L	W
6'	3.5'	201	2.7'	2.3'
8'	4.6'	113	3.6'	3.1'
10'	5.8'	72	4.5'	3.9'
12'	6.9'	50	5.4'	4.6'
15'	8.7'	32	6.8'	5.8'

#### 30° Aiming Angle Vertical Surface

D	C	FC	L	W
2'	3.5'	349	2.9'	1.3'
3'	5.2'	155	4.4'	2.0'
4'	6.9'	87	5.8'	2.7'
6'	10.4'	39	8.8'	4.0'
8'	13.9'	22	11.7'	5.4'

### CANDLEPOWER DISTRIBUTION



### 70W LAMP – NARROW FLOOD REFLECTOR

ANGLE	WALL	AIMED 30° TOWARD WALL
0	538	
5	933	T4 70W PHILIPS METAL HALIDE LAMP
10	2082	LUMEN RATING = 6400 LMS.
15	5091	CBCP= 17,714cd
20	10996	BEAM ANGLE = 24°
25	16127	AROMAT 70W ELECTRONIC BALLAST
30	17714	
35	16020	DATE: OCT 25, 2003
40	10501	CERTIFIED TEST REPORT NO. 2346FR
45	5901	COMPUTED BY LSI PROGRAM
50	2069	**TEST-LITE**
55	545	
60	66	
65	7	
70	0	
75	0	
80	0	
85	0	
90	0	

#### 30° Aiming Angle Horizontal Surface

D	C	FC	L	W
8	4.6'	180	4.6'	3.9'
10	5.8'	115	5.8'	4.9'
12	6.9'	80	6.9'	5.9'
15	8.7'	51	8.6'	7.4'
20	11.5'	29	11.5'	9.8'

#### 30° Aiming Angle Vertical Surface

D	C	FC	L	W
3	5.2'	246	5.9'	2.6'
4	6.9'	138	7.9'	3.4'
6	10.4'	62	11.8'	5.1'
8	13.9'	35	15.7'	6.8'
12	20.8'	15	23.6'	10.2'

### Job Information Type:

631 Airport Road, Fall River, MA 02720 • (508) 679-8131 • Fax (508) 674-4710  
 We reserve the right to change details of design, materials and finish.  
 www.lightolier.com © 2011 Philips Group • C0711