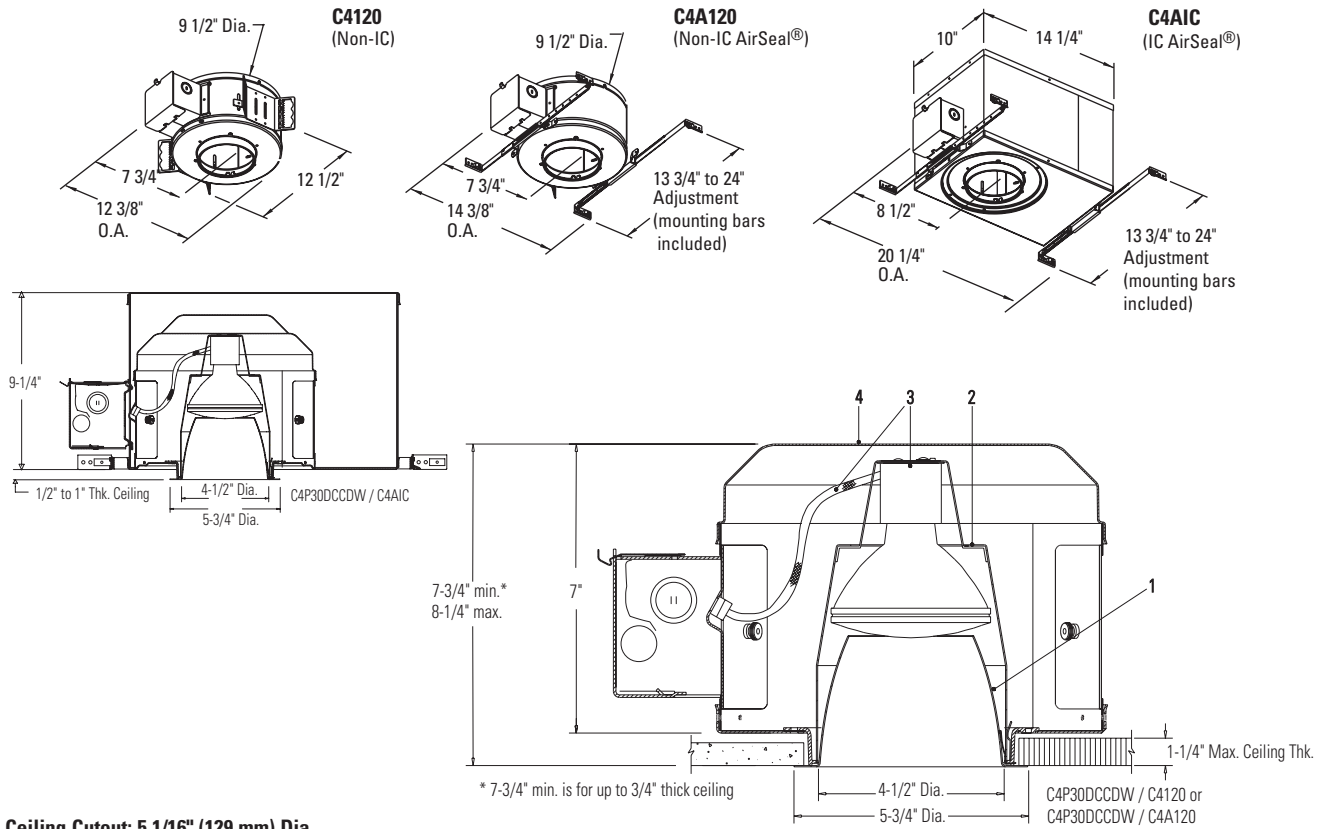




Calculite® Evolution Incandescent Open Downlight **C4P30D**

Page 1 of 2

4 1/2" Aperture PAR30 Reflector Trim



Ceiling Cutout: 5 1/16" (129 mm) Dia.

Reflector Trim		Frame-In Kit			
C4P30D CCDW	Comfort Clear Diffuse, White Flange	Non-IC	Non-IC AirSeal®	IC-AirSeal®	Non-IC Remodeler
C4P30D CCDP	Comfort Clear Diffuse, Polished Flange				
C4P30D <input type="checkbox"/>	Add suffix. See options for other finishes.				
	75W PAR30	C4120	C4A120	C4A1C	C4120RM
	CCD is the recommended finish.	75W PAR30	75W PAR30	75W PAR30	
		Short Neck	Short Neck	Short Neck	

Features

- Trim:** 16 ga. aluminum, 50° visual cutoff to lamp and lamp image. Removable from below for bottom relamping. Available with painted white or polished flange.
- Reflector Housing:** Snaps into frame for easy tool-less installation. Provides friction spring clips to secure aperture cone. Interchangeable with other Evolution 4" line voltage trims.
- Socket Harness:** Bracket mounted to reflector housing insuring correct optical alignment. Medium base porcelain socket with nickel plated screw shell, No. 18 SF-1 leads to keyed plug-in quick connector for power connection to junction box.
- Frame-In Kit:** Compatible Frame-In Kits are listed above.
 - Non-IC and Non-IC AirSeal® - Thermal insulation shall not be installed above a recessed luminaire (fixture) or within 3 in. (75 mm) of the recessed luminaire's (fixture's) enclosure or wiring compartment.
 - IC-AirSeal® - Fixture may be in direct contact with insulation.

Options and Accessories

Reflector Finishes¹

Clear: CL Gold: GD White: WH
 Black: BK Pewter: CPW
 Comfort Clear Diffuse: CCD
 Champagne Bronze: CCZ¹

Specify desired flange: **W** White, **P** Polished

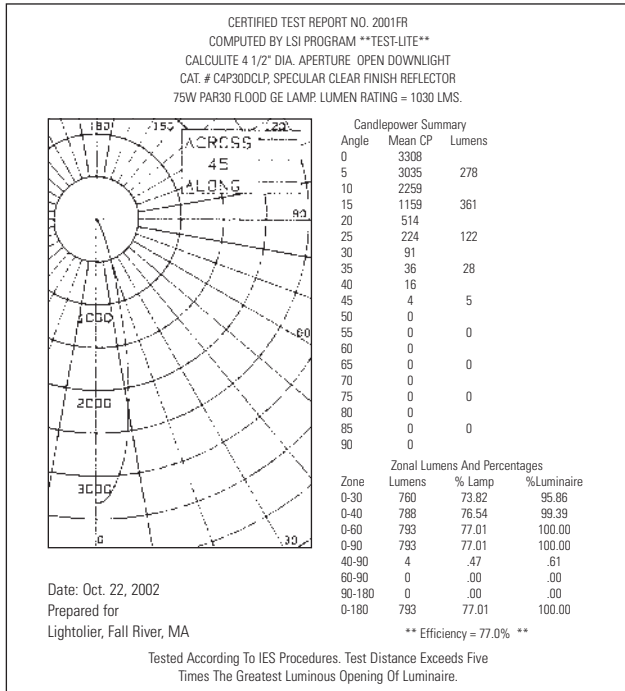
Labels

UL Listed (suitable for damp locations).

Job Information	Type:
Job Name:	
Cat. No.:	
Lamp(s):	
Notes:	

Lightolier a Genlyte company www.lightolier.com
 631 Airport Road, Fall River, MA 02720 • (508) 679-8131 • Fax (508) 674-4710
 We reserve the right to change details of design, materials and finish.
 © 2011 Genlyte Group LLC • C0711

LIGHTOLIER®



Coefficients of Utilization
 % Effective Ceiling Cavity Reflectance

Room Cavity Ratio	% Wall Reflectance															
	80			70			50			30			10			0
	50	30	10	50	30	10	50	30	10	50	30	10	50	30	10	0
0	.92	.92	.92	.90	.90	.90	.86	.86	.86	.82	.82	.82	.79	.79	.79	.77
1	.88	.87	.86	.87	.85	.84	.83	.82	.82	.80	.80	.79	.78	.77	.77	.76
2	.85	.83	.81	.83	.82	.80	.81	.80	.79	.79	.78	.77	.77	.76	.75	
3	.82	.80	.78	.81	.79	.78	.79	.78	.77	.78	.77	.75	.76	.75	.74	.73
4	.80	.78	.76	.79	.77	.75	.78	.76	.74	.76	.75	.74	.75	.74	.73	.72
5	.78	.75	.73	.77	.75	.73	.76	.74	.72	.75	.73	.72	.74	.72	.71	.71
6	.76	.73	.72	.76	.73	.71	.75	.73	.71	.74	.72	.71	.73	.71	.70	
7	.74	.72	.70	.74	.72	.70	.73	.71	.69	.72	.70	.69	.72	.70	.69	.68
8	.72	.70	.68	.72	.70	.68	.71	.69	.68	.71	.69	.68	.70	.69	.67	.67
9	.71	.69	.67	.71	.69	.67	.70	.68	.67	.70	.68	.66	.69	.67	.66	.66
10	.70	.67	.65	.69	.67	.65	.69	.67	.65	.68	.66	.65	.68	.66	.65	.64

20% Floor Cavity Reflectance

LIGHTOLIER[®]

Job Information **Type:**

Lightolier a Genlyte company www.lightolier.com
 631 Airport Road, Fall River, MA 02720 • (508) 679-8131 • Fax (508) 674-4710
 We reserve the right to change details of design, materials and finish.
 © 201 Genlyte Group LLC • C0711