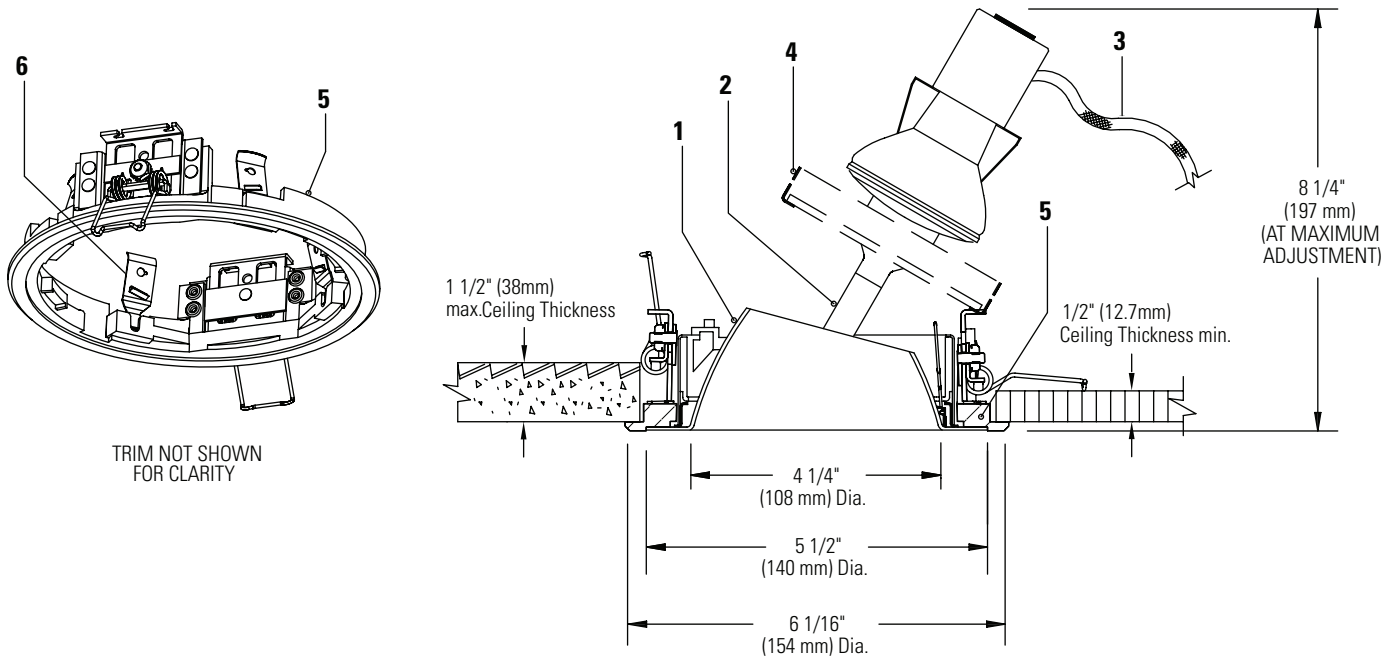


LIGHTOLIER® Calculite® HID Adjustable C4P20MHAEXP

Page 1 of 2

4 1/2" Aperture, PAR20 Ceramic Metal Halide, For Export



Ceiling Cutout: 5 3/4" (146 mm) Dia.

Ordering Information

Reflector Trim	Installation Ring	Gear Harness	Lamp Data
C4P20MHACDPEX Comfort Clear Diffuse, Polished Flange	C4XRM Matte White	BKMHPU39	CDM-R PAR20 39W Max

Features

- 1. Reflector Trim:** Low brightness, Comfort Clear™ Diffuse with integral flange polished to match inside of cone.
- 2. Lamp Holder / Trim Adjustment Assembly:** Unitized optics insure alignment of lamp and aperture cone regardless of ceiling thickness. Provides 35° vertical tilt, 360°+ horizontal rotation; lockable. EZ-Aim Helical Drive System provides fast and accurate hot aiming with Philips screwdriver.
- 3. Gear Harness:** Electronic 240V, 50/60Hz metal halide ballast with lamp socket and wiring harness. ORDER SEPARATELY. See separate specification sheet for details.
- 4. Accessory Holder:** Sold separately catalog # CAH4; die-formed steel, matte black finish, slide-in installation. Accepts up to two 3 3/4" dia. media.
- 5. Installation Ring:** Cast aluminum ring is painted and has two 17ga. stainless steel springs that engage in upright position during installation. One touch snap action secures ring in ceiling cutout. ORDER SEPARATELY. See separate specification sheet for details.
- 6. Retention Springs:** Rust resistant springs secure trim for quick, tool-less installation (quantity of 4).
- 7. Vertical Tilt Control (not shown):** Easy access adjustment head allows for 35° tilt and maintains position during relamping.
- 8. Horizontal Adjustment Lock (not shown):** Easy access lock functions with trim to allow 360°+ rotation.

Certifications and Ratings



Job Information

Type:

Job Name:

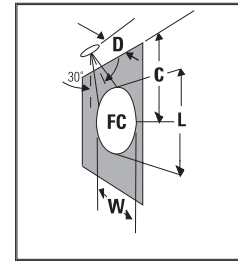
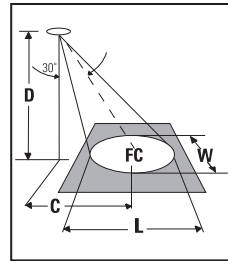
Cat. No.:

Lamp(s):

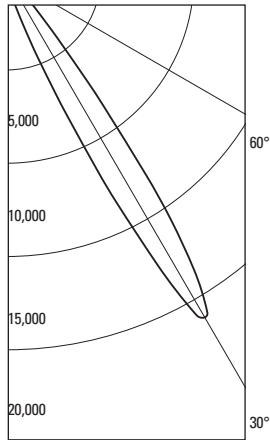
Notes:

631 Airport Road, Fall River, MA 02720 • (508) 679-8131 • Fax (508) 674-4710
 We reserve the right to change details of design, materials and finish.
 www.lightolier.com © 2008 Philips Group • A0508

(FC) is initial footcandles at center of beam. Beam length (L) and beam width (W) are to where the candlepower is reduced to 50% of the center beam candlepower. (C) is the distance to the center of the beam.



CANDLEPOWER DISTRIBUTION



ANGLE	WALL
0	375
5	504
10	675
15	1356
20	3875
25	11562
30	21102
35	12936
40	3535
45	997
50	204
55	21
60	0
65	0
70	0
75	0
80	0
85	0
90	0

39W PAR20 CERAMIC MH - SPOT

AIMED 30°. TOWARD WALL

LAMP: 39W PAR20 SP CERAMIC MH, PHILIPS
LUMEN RATING: 2000 LMS.

CBCP: 21102
Beam Angle: 12

AROMAT 39W ELECTRONIC BALLAST

DATE: MAR 11, 2004

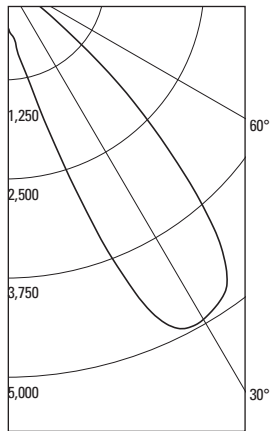
CERTIFIED TEST REPORT NO. 2538FR
COMPUTED BY LSI PROGRAM
TEST-LITE

**30° Aiming Angle
Horizontal Surface**

D	C	FC	L	W
6'	3.5'	381	1.7'	1.5'
8'	4.6'	214	2.3'	1.9'
10'	5.8'	137	2.8'	2.4'
12'	6.9'	95	3.4'	2.9'
15'	8.7'	61	4.2'	3.6'

**30° Aiming Angle
Vertical Surface**

D	C	FC	L	W
2'	3.5'	659	1.7'	0.8'
3'	5.2'	293	2.6'	1.3'
4'	6.9'	165	3.5'	1.7'
6'	10.4'	73	5.2'	2.5'
8'	13.9'	41	7.0'	3.4'



ANGLE	WALL
0	628
5	666
10	980
15	1727
20	3396
25	4772
30	4946
35	4804
40	4075
45	2630
50	1168
55	234
60	22
65	0
70	0
75	0
80	0
85	0
90	0

39W PAR20 CERAMIC MH - FLOOD

AIMED 30°. TOWARD WALL

LAMP: 39W PAR20 FL CERAMIC MH, PHILIPS
LUMEN RATING: 2000 LMS.

CBCP: 4946
Beam Angle: 28

AROMAT 39W ELECTRONIC BALLAST

DATE: MAR 11, 2004

CERTIFIED TEST REPORT NO. 2535FR
COMPUTED BY LSI PROGRAM
TEST-LITE

**30° Aiming Angle
Horizontal Surface**

D	C	FC	L	W
8'	4.6'	50	5.4'	4.6'
10'	5.8'	32	6.8'	5.8'
12'	6.9'	22	8.1'	6.9'
15'	8.7'	14	10.2'	8.6'
20'	11.5'	8	13.6'	11.5'

**30° Aiming Angle
Vertical Surface**

D	C	FC	L	W
3'	5.2'	69	7.4'	3.0'
4'	6.9'	39	9.8'	4.0'
6'	10.4'	17	14.7'	6.0'
8'	13.9'	10	19.6'	8.0'
12'	20.8'	4	29.4'	12.0'

Job Information **Type:**

631 Airport Road, Fall River, MA 02720 • (508) 679-8131 • Fax (508) 674-4710
We reserve the right to change details of design, materials and finish.
www.lightolier.com © 2008 Philips Group • A0508