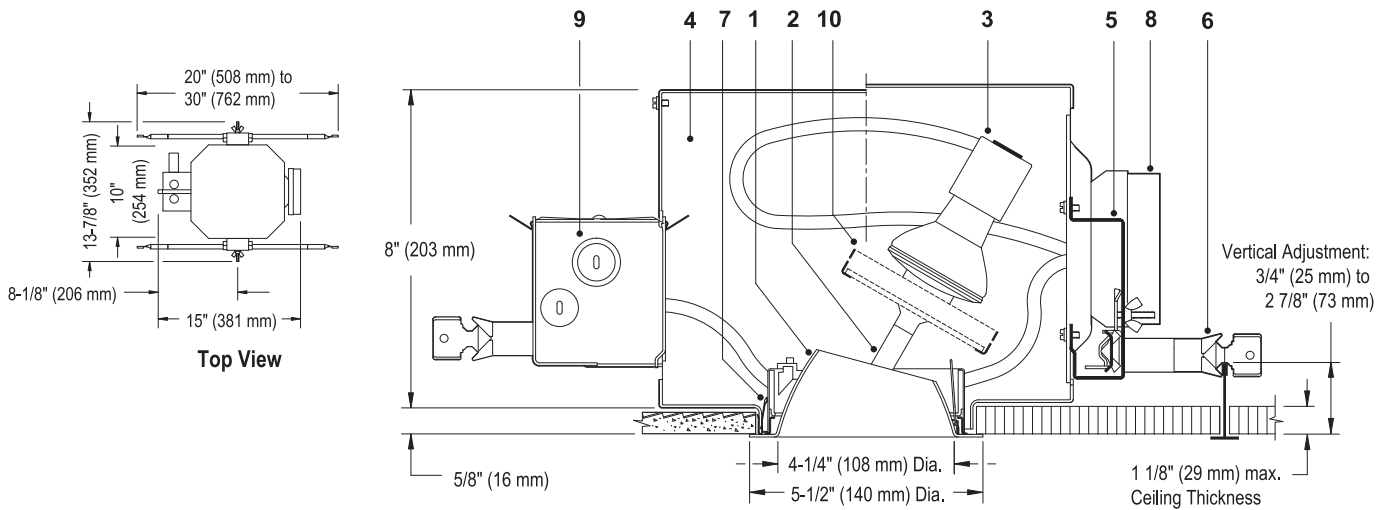




# Calculite® HID Adjustable Accent **C4P20MHA**



**Ceiling Cutout:** 5 1/8" (130 mm) Dia.

Reflector Trim	Frame-In Kit	Lamp
<b>C4P20MHA CLW</b> Specular Clear, White Painted Flange.	<b>C4A39P20E1</b> Electronic 120V	39W PAR20 Ceramic MH
<b>CLP</b> Specular Clear, Matching Flange.	<b>C4A39P20E2</b> Electronic 277V	39W PAR20 Ceramic MH
<b>CCDW</b> Comfort Clear Diffuse, White Painted Flange.		
<b>CCDP</b> Comfort Clear Diffuse, Matching Flange.		
<b>CCZW</b> Champagne Bronze, White Painted Flange.		
<b>CCZP</b> Champagne Bronze, Matching Flange.		

## Features

- Reflector Trim:** Low brightness, specular Clear anodized or Comfort Clear™ Diffuse with integral flange in painted white or polished to match inside of cone.
- Lamp Holder / Trim Adjustment Assembly:** Unitized optics insure alignment of lamp and aperture cone regardless of ceiling thickness. Provides 35° vertical tilt, 360°+ horizontal rotation; lockable. EZ-Aim Helical Drive System provides fast and accurate hot aiming with Philips screwdriver.
- Socket:** Medium base porcelain pulse rated socket with nickel plated screw-shell.
- Frame Housing:** Steel, 0.029" (22-Ga.), matte black finish.
- Frame Vertical Adjustment Mechanism:** Accommodates mounting to virtually any ceiling system using pre-installed mounting bars, or 1/2" EMT tubing (by others). Single locking feature secures all adjustments. Alignment holes and markings allow fixture to be pre-set prior to installation. Final adjustment can be made from below from inside fixture.
- Mounting Bars:** Galvanized steel, 0.048" (18-ga.), pre-installed telescoping bars extend to 30" long and lock securely into position. Built-in locking tabs provide positive attachment to common T-bar systems. Self-centering feature simplifies installation in 24" O.C. grid systems. Attaches to steel or wood joists without accessories.
- Retention Springs:** Rust resistant springs secure trim for quick, tool-less installation.
- Ballast / Cover Assembly:** Accessible from below and removable without tools for inspection and ballast replacement.
- Junction Box:** 0.059" (16-ga.) galvanized steel. UL listed for 8 No. 12 AWG, 90°C through branch circuit conductors. Allows inspection from below.
- Accessory Holder:** Sold separately catalog # CAH4; die-formed steel, matte black finish, slide-in installation. Accepts up to two 3 3/4" dia. media.
- Thermal Protector:** (Not Shown) Meets NEC and UL requirements. Do not install insulation above nor within 3" (76mm) of any part of the luminaire.

## Electrical

**Electronic Ballast:** 120V or 277V, 50/60 Hz. enclosed, high power factor, T.H.D. <15%, thermally and transient protected, RMI/RFI complies with FCC part8 non-consumer limits, shut-down circuit at end of lamp life, sound rating "A", -5° F minimum starting temperature, Type 1 Outdoor rating.

Ballast	ANSI Code	Voltage	Max. Amps	Input Watts
39WMH	M130	120/277	0.39/0.17	44

## Options and Accessories

**CAH4:** Accessory Holder. Accepts up to two 3 3/4" dia. media.

**Chicago Plenum:** Consult Factory

## Labels

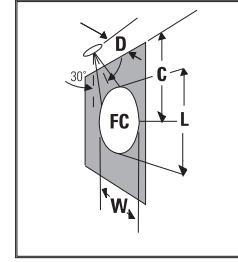
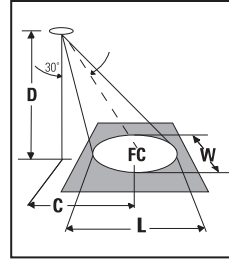
UL. (Suitable for damp locations), I.G.E.W.

Job Information	Type:
<b>Job Name:</b>	
<b>Cat. No.:</b>	
<b>Lamp(s):</b>	
<b>Notes:</b>	

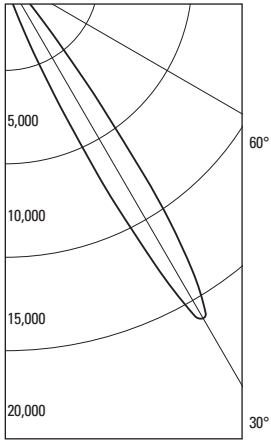
**LIGHTOLIER®**



(FC) is initial footcandles at center of beam. Beam length (L) and beam width (W) are to where the candlepower is reduced to 50% of the center beam candlepower. (C) is the distance to the center of the beam.



CANDLEPOWER DISTRIBUTION



ANGLE	WALL
0	375
5	504
10	675
15	1356
20	3875
25	11562
30	21102
35	12936
40	3535
45	997
50	204
55	21
60	0
65	0
70	0
75	0
80	0
85	0
90	0

**39W PAR20 CERAMIC MH - SPOT**

AIMED 30°. TOWARD WALL

LAMP: 39W PAR20 SP CERAMIC MH, PHILIPS  
LUMEN RATING: 2000 LMS.

CBCP: 21102  
Beam Angle: 12  
AROMAT 39W ELECTRONIC BALLAST

DATE: MAR 11, 2004  
CERTIFIED TEST REPORT NO. 2538FR

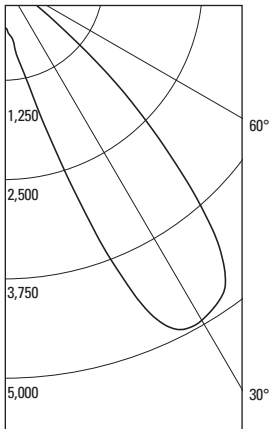
COMPUTED BY LSI PROGRAM  
\*\*TEST-LITE\*\*

**30° Aiming Angle  
Horizontal Surface**

D	C	FC	L	W
6'	3.5'	381	1.7'	1.5'
8'	4.6'	214	2.3'	1.9'
10'	5.8'	137	2.8'	2.4'
12'	6.9'	95	3.4'	2.9'
15'	8.7'	61	4.2'	3.6'

**30° Aiming Angle  
Vertical Surface**

D	C	FC	L	W
2'	3.5'	659	1.7'	0.8'
3'	5.2'	293	2.6'	1.3'
4'	6.9'	165	3.5'	1.7'
6'	10.4'	73	5.2'	2.5'
8'	13.9'	41	7.0'	3.4'



ANGLE	WALL
0	628
5	666
10	980
15	1727
20	3396
25	4772
30	4946
35	4804
40	4075
45	2630
50	1168
55	234
60	22
65	0
70	0
75	0
80	0
85	0
90	0

**39W PAR20 CERAMIC MH - FLOOD**

AIMED 30°. TOWARD WALL

LAMP: 39W PAR20 FL CERAMIC MH, PHILIPS  
LUMEN RATING: 2000 LMS.

CBCP: 4946  
Beam Angle: 28  
AROMAT 39W ELECTRONIC BALLAST

DATE: MAR 11, 2004  
CERTIFIED TEST REPORT NO. 2535FR

COMPUTED BY LSI PROGRAM  
\*\*TEST-LITE\*\*

**30° Aiming Angle  
Horizontal Surface**

D	C	FC	L	W
8'	4.6'	50	5.4'	4.6'
10'	5.8'	32	6.8'	5.8'
12'	6.9'	22	8.1'	6.9'
15'	8.7'	14	10.2'	8.6'
20'	11.5'	8	13.6'	11.5'

**30° Aiming Angle  
Vertical Surface**

D	C	FC	L	W
3'	5.2'	69	7.4'	3.0'
4'	6.9'	39	9.8'	4.0'
6'	10.4'	17	14.7'	6.0'
8'	13.9'	10	19.6'	8.0'
12'	20.8'	4	29.4'	12.0'

**Job Information** **Type:**

Lightolier a Genlyte Thomas Company www.lightolier.com  
631 Airport Road, Fall River, MA 02720 • (508) 679-8131 • Fax (508) 674-4710  
We reserve the right to change details of design, materials and finish.  
© 2011 Genlyte Thomas Group LLC (Lightolier Division) • P0711

**LIGHTOLIER®**